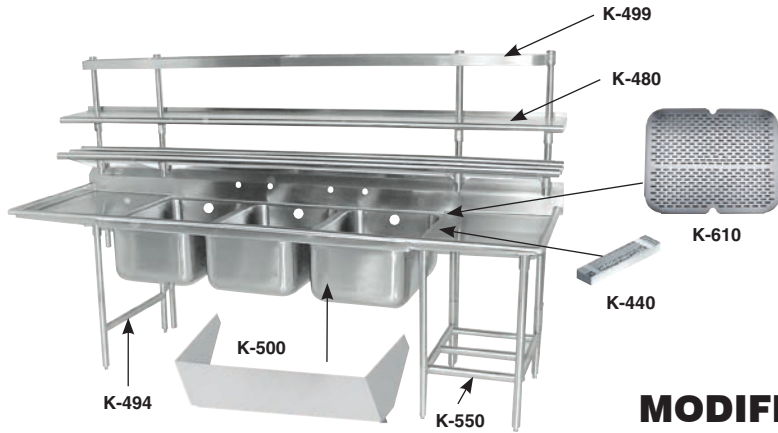


# SINK MODIFICATIONS & ACCESSORIES



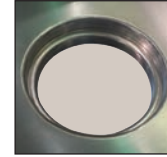
**K-37**  
Anti-Siphon  
Vacuum  
Breaker Holes



**K-72**  
Leg-To-Wall  
Brace



**K-460A**  
Disposal  
Cone w/  
Control  
Bracket &  
Faucet Holes



**K-461A**  
Install Collar  
w/ Control Bracket

## MODIFICATIONS

<b>K-4</b>	Support Bracket for Lever Waste Drain Handle
<b>K-23</b>	Sink Legs Welded To Undershelf Or Left-To-Right Cross Rails, Shipped Set Up & Crated. (Top Is Not Welded To Legs)
<b>K-23A</b>	Sink Legs Welded To Leg Gussets Under Sink Top & To Undershelf Or Left-To-Right Cross Rails, Shipped Set Up & Crated
<b>K-24</b>	Shell Crating
<b>K-37</b>	Anti-Siphon Vacuum Breaker Holes
<b>K-57</b>	Welded field Joint ( <i>Welded in field by others</i> )
<b>K-76</b>	Paint on Sound Deadening
<b>K-77</b>	Splash Cutout (Pipe Chase)
<b>K-106</b>	Mirror Highlite Edge for Sink
<b>K-440</b>	Waste Trough with 2" deep removable basket
<b>K-447</b>	High Backsplash up to 18"
<b>K-448</b>	High Backsplash up to 13"
<b>K-450</b>	Extra Drainboard
<b>K-451</b>	Drainboard Corner Turn
<b>K-452</b>	Control Bracket 8" x 12"
<b>K-452S</b>	Splash Mounted Control Bracket 8" x 12"
<b>K-453</b>	Control Bracket 14" x 16"
<b>K-453S</b>	Splash Mounted Control Bracket 14" x 16"
<b>K-454</b>	Sidesplash
<b>K-456</b>	Scrap Block Installed
<b>K-460</b>	Installation of Disposal Cone with 8" x 12" Control Bracket, Faucet Holes ( <i>Cone supplied by others</i> )
<b>K-460A</b>	Installation of Disposal Cone with 14" x 16" Control Bracket, Faucet Holes ( <i>Cone supplied by others</i> )

<b>K-461</b>	Install Collar with 8" x 12" control bracket ( <i>Collar by others</i> )
<b>K-461A</b>	Install Collar with 14" x 16" control bracket ( <i>Collar by others</i> )
<b>K-470</b>	Modify Bowl Depth
<b>K-472</b>	Faucet Hole Revision
<b>K-473</b>	Working Height Revision
<b>K-476</b>	Punch for Over Flow Holes ( <i>Holes Only. N/C when ordering K-15</i> )
<b>K-479</b>	Undershelf Under Drainboard
<b>K-480</b>	Stainless Steel 12" Wide Shelf ( <i>min. of 3 ft.</i> )
<b>K-480A</b>	Stainless Steel 15" Wide Shelf ( <i>min. of 3 ft.</i> )
<b>K-490</b>	Provision for Pot Washer ( <i>For "Wells-PW-106" only</i> )
<b>K-491</b>	Provision for Hatco Heater
<b>K-495</b>	Turn Down Backsplash ( <i>Includes 2 Brackets. See K-397 Add'l Sets</i> )
<b>K-498</b>	Tubular Overshelf 12" wide (Min. 3 Ft.)
<b>K-499</b>	Stainless Steel Pot Rack
<b>K-500</b>	Stainless Steel Apron to Cover Sink Bowls
<b>K-500A</b>	17" Stainless Steel Apron to Cover Sink Bowls and Support Lever Drain Handles
<b>K-508</b>	Special Sizing Charge (Larger size cut down to smaller size)
<b>K-508A</b>	Special Modification Charge
<b>K-510</b>	Prepare Sink for Undercounter Dishwasher ( <i>24" drainboard or larger</i> )
<b>K-520</b>	Poly Board/Stainless Steel Cover Holder
<b>K-550</b>	Stainless Steel Tubular Rack Storage
<b>K-ROD</b>	Weld Support Rods For Poly Sink Cover In Corners Of Sink Bowl

## ACCESSORIES

<b>K-30</b>	Faucet Wall Mounting Bracket
<b>K-72</b>	Leg To Wall Brace
<b>K-350</b>	Residential Finish & Packaging
<b>K-397</b>	Wall Brackets for Sink ( <i>Brackets Included with K-495</i> )
<b>K-457</b>	Replacement Rubber Scrap Block ( <i>See K-456 for install cost</i> )
<b>K-474</b>	16 ga., '304' Series S/S Leg with S/S Foot
<b>K-475</b>	S/S Legs with S/S Foot
<b>K-477</b>	Replacement Leg Clamp For Adjustable Cross-Bracing
<b>K-477C</b>	Replacement Corner Leg Clamp For Adjustable Cross-Bracing
<b>K-478</b>	Stainless Steel Bullet Foot
<b>K-488</b>	Flanged S/S Bullet Foot
<b>K-493</b>	16 ga., '304' Series S/S Welded Leg Assembly with S/S Feet
<b>K-494</b>	S/S Welded Leg Assembly with S/S Feet
<b>K-497</b>	Galv. Welded Leg Assembly with Plastic Feet
<b>K-497A</b>	Galv. Individual Legs with Plastic Feet
<b>K-496</b>	Leg Assembly For Grease Interceptor w/ Adj. Cross-Bracing & S/S Feet ( <i>For Grease Interceptors with 15" Ht. or less. Consult factory for larger Grease Interceptors</i> )
<b>K-610</b>	Perforated Stainless Steel Sink Grid ( <i>Specify Bowl Size</i> )

## SINK COVERS

Choose Model # & Add The Proper Letter In Place Of The Underscore (.).  
Example: K-2A or FC-455H

### FOR DEEP DRAWN BOWLS

### FOR FABRICATED BOWLS

Bowl Size	Poly Covers Model K-2_	S/S Covers Model K-455_	Poly Covers Model K-2_	S/S Covers Model FC-455_
10" x 14"	A	A	AF	A
12" x 20"	I	I	IF	I
14" x 14"	H	H	HF	H
14" x 16"	B	B	BF	B
15" x 15"	Not Available	Not Available	MF	M
15" x 24"	Not Available	Not Available	UF	U
16" x 20"	C	C	CF	C
18" x 18"	Not Available	Not Available	JF	J
18" x 24"	D	D	DF	D
20" x 20"	E	E	EF	E
20" x 24"	Not Available	Not Available	PF	P
20" x 28"	G	G	GF	G
20" x 30"	Not Available	Not Available	SF	S
24" x 30"	Not Available	Not Available	TF	T
24" x 24"	F	F	FF	F
24" x 36"	Not Available	Not Available	RF	R
30" x 30"	Not Available	Not Available	VF	V

Custom Covers Available. Consult Factory.



Customer Service Available To Assist You **1-800-645-3166** 8:30 am - 7:00 pm E.S.T.

For Orders & Customer Service:

Email: [customer@advancetabco.com](mailto:customer@advancetabco.com) or Fax: 631-242-6900

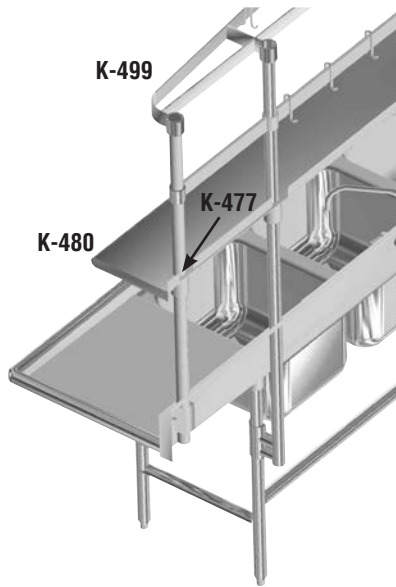
For Smart Fabrication™ Quotes:

Email: [smartfab@advancetabco.com](mailto:smartfab@advancetabco.com) or Fax: 631-586-2933

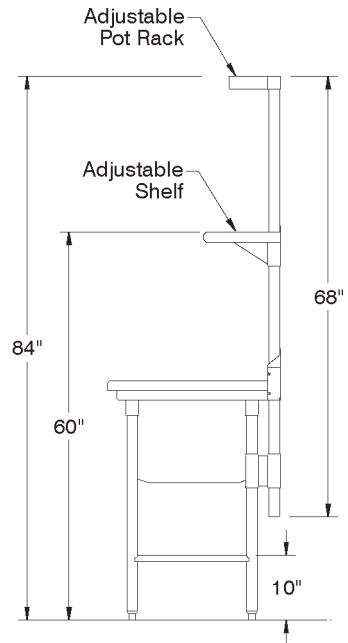


# POT RACK & TUBULAR OVERSHELF DETAILS AND SPECIFICATIONS

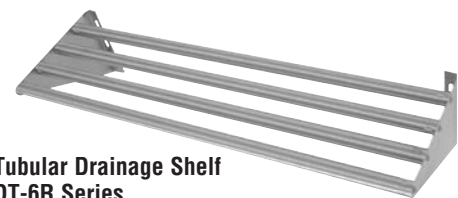
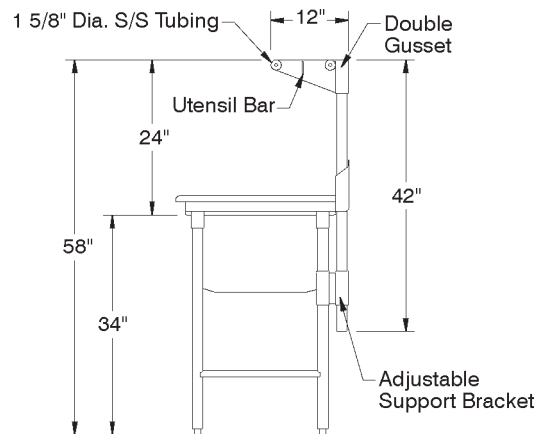
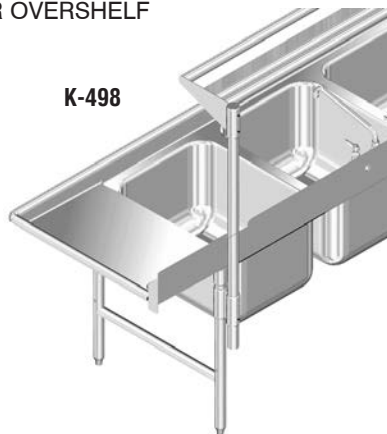
## ADJUSTABLE POT RACK & SHELF



Item #: \_\_\_\_\_ Qty #: \_\_\_\_\_  
 Model #: \_\_\_\_\_  
 Project #: \_\_\_\_\_



## TUBULAR OVERSHELF



Model #	Description	Qty
K-477	Mounting Provision for Sink Mounted Pot Rack or Shelf	
K-480	12" Wide Stainless Steel Shelf	
K-498	Tubular Overshelf (min. 3 ft.)	
K-499	Stainless Steel Pot Rack	
DT-6R-36	3' Tubular Wall Mounted Drainage Shelf	
DT-6R-48	4' Tubular Wall Mounted Drainage Shelf	
DT-6R-60	5' Tubular Wall Mounted Drainage Shelf	
DT-6R-72	6' Tubular Wall Mounted Drainage Shelf	



Customer Service Available To Assist You **1-800-645-3166** 8:30 am - 7:00 pm E.S.T.

Email Orders To: [customer@advancetabco.com](mailto:customer@advancetabco.com). For Smart Fabrication™ Quotes, Email To: [smartfab@advancetabco.com](mailto:smartfab@advancetabco.com) or Fax To: 631-586-2933

**NEW YORK**  
 Fax: (631) 242-6900

**GEORGIA**  
 Fax: (770) 775-5625

**TEXAS**  
 Fax: (972) 932-4795

**NEVADA**  
 Fax: (775) 972-1578