



STAINLESS STEEL

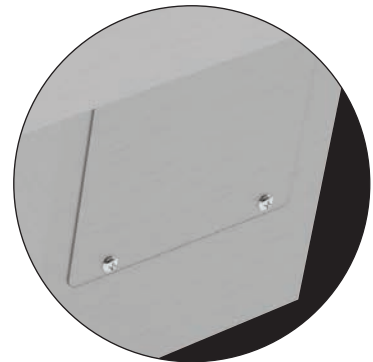
THREE COMPARTMENT A.D.A. COMPLIANT WALL MOUNTED SCRUB SINK

Model # HSS-ADA-3

Shown with optional K-175 Hands-Free Electronic Faucets & HSS-3 Acrylic Dividers



Item #: _____ Qty #: _____
 Model #: _____
 Project #: _____



A.D.A. Compliant

Wrap-around covers mounts with access panel wall & conceals plumbing.

FEATURES:

- Meets A.D.A. Compliance
- One Piece Construction
- Covered Corner Bowls with 3/4" Radius
- Stainless Steel Wall Mounted Plumbing Covers with Removable Access Panels
- Rear Center Drain Location
- Includes Three Wall Mount "Z" Brackets
- Includes Three K-6 Drains and Three K-410 Strainer Plates

CONSTRUCTION:

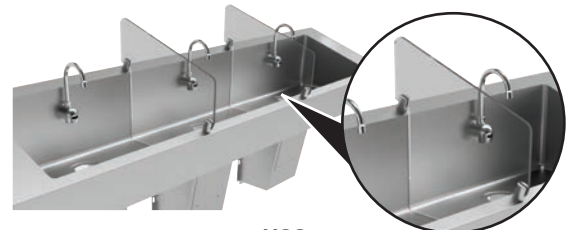
- All TIG welded
- Welded areas blended to match adjacent surfaces and polished to an upgraded, medical finish

MATERIAL:

- 16 Gauge, Type 304 Stainless Steel (14 Gauge Also Available)

Model #	O.A. Length	O.A. Width	Bowl Depth	Wt.	Cu. Ft.
HSS-ADA-3	90"	19"	11 3/8"	150 lbs.	44

RECOMMENDED FAUCETS & OPTIONS



HSS-3



K-175



K-187

Model #	Description
HSS-3	Two Acrylic Compartment Sink Dividers (Factory Install Only)
K-175	Hands Free Sensor Faucet, A/C or Battery Powered
K-187	Thermostatic Mixing Valve w/ Checks



Customer Service Available To Assist You 1-800-645-3166 8:30 am - 7:00 pm E.S.T.

For Orders & Customer Service:
 Email: customer@advancetabco.com or Fax: 631-242-6900

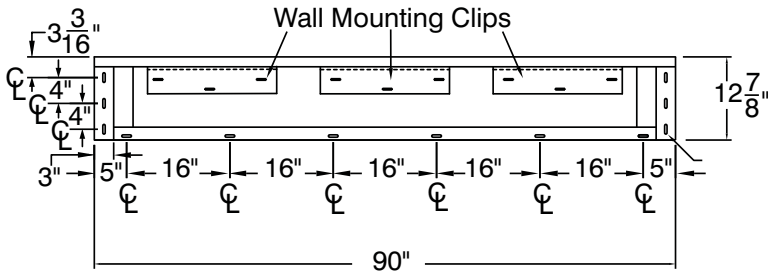
For Smart Fabrication™ Quotes:
 Email: smartfab@advancetabco.com or Fax: 631-586-2933

DIMENSIONS and SPECIFICATIONS

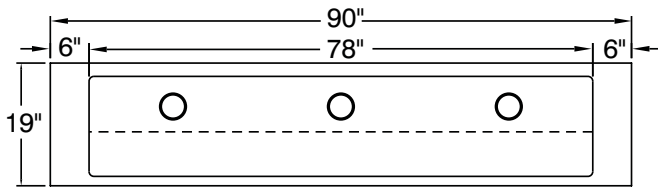
TOL Overall: ± .500"

ALL DIMENSIONS ARE TYPICAL

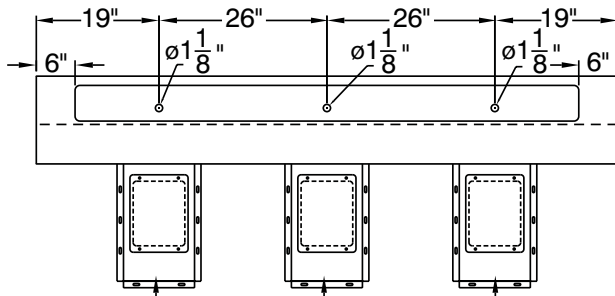
HSS-ADA-3



TYPICAL REAR VIEW

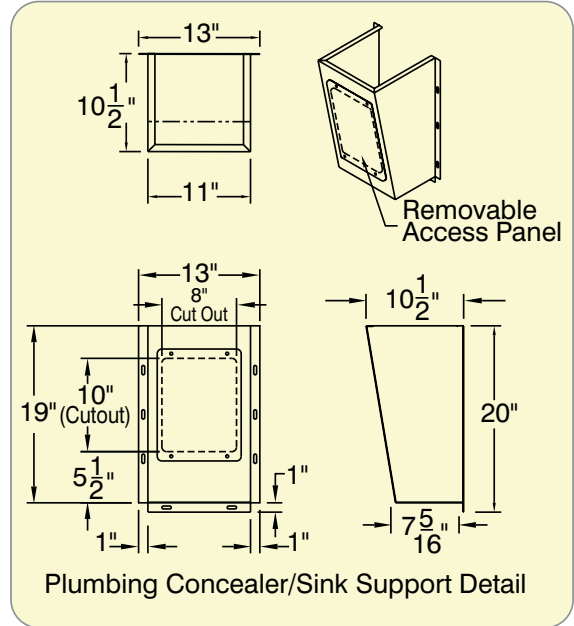


TYPICAL TOP VIEW

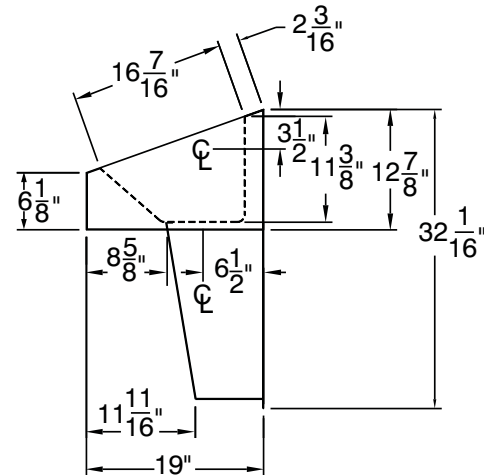


Plumbing Concealer/Sink Support Covers

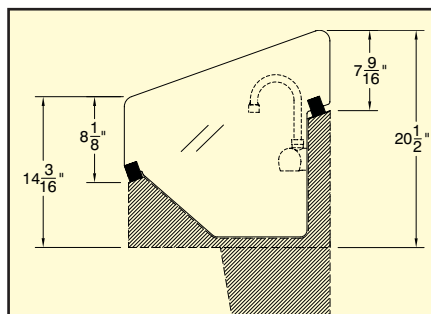
TYPICAL FRONT VIEW



Plumbing Concealer/Sink Support Detail



TYPICAL SIDE VIEW



HSS-3
Acrylic Divider Detail

150 lbs.

