



Profit from the Eagle Advantage®

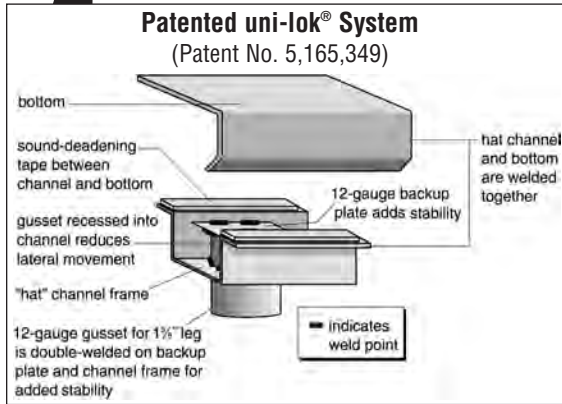
Specification Sheet

Short Form Specifications

Eagle Spec-Master® Marine Counter Edge Cabinets with Backsplash, model _____. Top is 14/304 stainless steel, sides and back are heavy gauge stainless steel. Open front, stainless steel sliding doors, or stainless steel hinged doors. Marine counter edge on front and sides, 4½" backsplash at rear. Constructed with uni-lok® patented gusset system, with the gussets recessed into channels, to reduce lateral movement. 1½" O.D. stainless steel tubular legs with adjustable stainless steel bullet feet.



cabinet with sliding doors



Item No.: _____
 Project No.: _____
 S.I.S. No.: _____

Spec-Master® Marine Counter Edge Cabinets with Backsplash

MODELS:

- | | | |
|--|--|---|
| <input type="checkbox"/> OB2436SEM-BS | <input type="checkbox"/> CB2436SEM-BS | <input type="checkbox"/> CBH2436SEM-BS |
| <input type="checkbox"/> OB2448SEM-BS | <input type="checkbox"/> CB2448SEM-BS | <input type="checkbox"/> CBH2448SEM-BS |
| <input type="checkbox"/> OB2460SEM-BS | <input type="checkbox"/> CB2460SEM-BS | <input type="checkbox"/> CBH2460SEM-BS |
| <input type="checkbox"/> OB2472SEM-BS | <input type="checkbox"/> CB2472SEM-BS | <input type="checkbox"/> CBH2472SEM-BS |
| <input type="checkbox"/> OB2484SEM-BS | <input type="checkbox"/> CB2484SEM-BS | <input type="checkbox"/> CBH2484SEM-BS |
| <input type="checkbox"/> OB2496SEM-BS | <input type="checkbox"/> CB2496SEM-BS | <input type="checkbox"/> CBH2496SEM-BS |
| <input type="checkbox"/> OB24120SEM-BS | <input type="checkbox"/> CB24120SEM-BS | <input type="checkbox"/> CBH24120SEM-BS |
| <input type="checkbox"/> OB3036SEM-BS | <input type="checkbox"/> CB3036SEM-BS | <input type="checkbox"/> CBH3036SEM-BS |
| <input type="checkbox"/> OB3048SEM-BS | <input type="checkbox"/> CB3048SEM-BS | <input type="checkbox"/> CBH3048SEM-BS |
| <input type="checkbox"/> OB3060SEM-BS | <input type="checkbox"/> CB3060SEM-BS | <input type="checkbox"/> CBH3060SEM-BS |
| <input type="checkbox"/> OB3072SEM-BS | <input type="checkbox"/> CB3072SEM-BS | <input type="checkbox"/> CBH3072SEM-BS |
| <input type="checkbox"/> OB3084SEM-BS | <input type="checkbox"/> CB3084SEM-BS | <input type="checkbox"/> CBH3084SEM-BS |
| <input type="checkbox"/> OB3096SEM-BS | <input type="checkbox"/> CB3096SEM-BS | <input type="checkbox"/> CBH3096SEM-BS |
| <input type="checkbox"/> OB30120SEM-BS | <input type="checkbox"/> CB30120SEM-BS | <input type="checkbox"/> CBH30120SEM-BS |

Tabletop

- 14 gauge type 304 stainless steel.
- Reinforced with full length "hat" channel support.
- Marine counter edge set in 1" (25mm), on front and sides, designed to retard spillage.
- 1" x 4½" (25 x 114mm) full-length backsplash—optional 2" x 10½" (51 x 267mm) high backsplash* available.

Cabinet

- Cabinet body is heavy gauge stainless steel.
- Available with open front, or with 20 gauge stainless steel sliding or hinged doors**.
- Bottom panel features an offset designed to retard spillage.

Legs

- uni-lok® leg/gusset channel assembly (patent #5,165,349).
- Adjustable stainless bullet feet—1" (25mm) adjustment.

Options / Accessories

- 10½" (267mm) backsplash*
- Center shelf***

* To order, replace suffix "BS" with suffix "-10BS". Example: CB3036SEM-10BS

** Cabinets 84" (2134mm) and longer have two sets of sliding or hinged doors.

*** To order center shelf, add suffix "-CS". Example: CB3036SEM-BS-CS

EAGLE GROUP

100 Industrial Boulevard, Clayton, DE 19938-8903 USA

Phone: 302-653-3000 • Fax: 302-653-2065

www.eaglegrp.com

Foodservice Division: Phone 800-441-8440

MHC/Retail Display Divisions: Phone 800-637-5100

For custom configuration or fabrication needs, contact our SpecFAB® Division.

Phone: 302-653-3000 • Fax: 302-653-2065 • e-mail: quotes@eaglegrp.com

Certifications / Approvals



AUTOQUOTES



EG10.33C Rev. 08/13

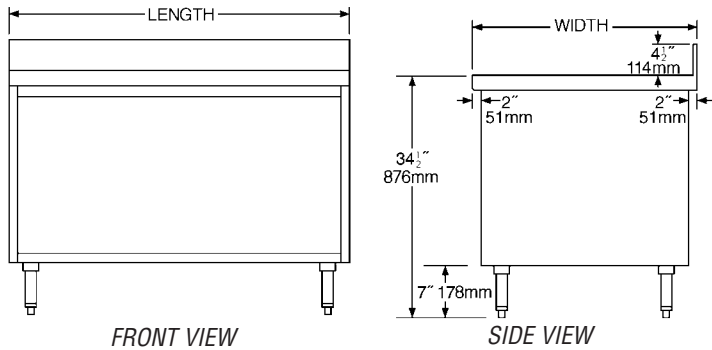
Spec sheets available for viewing, printing or downloading from our online literature library at www.eaglegrp.com

Eagle Foodservice Equipment, Eagle MHC, SpecFAB®, and Retail Display are divisions of Eagle Group. ©2013 by the Eagle Group



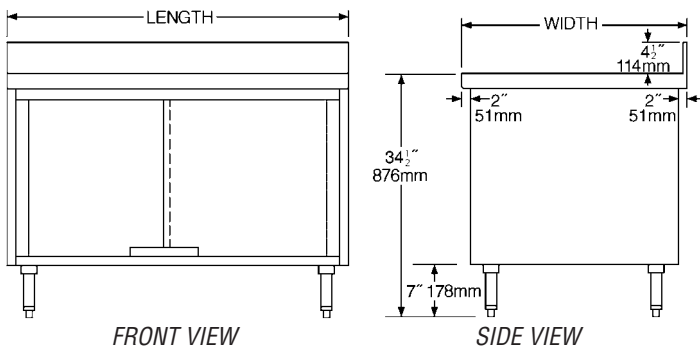
Item No.: _____
 Project No.: _____
 S.I.S. No.: _____

Spec-Master® Marine Counter Edge Cabinets with Open Front



model #	# of legs	width		length		weight	
		in.	mm	in.	mm	lbs.	kg
OB2436SEM-BS	4	24"	610	36"	914	133	60.3
OB2448SEM-BS	4	24"	610	48"	1219	161	73.0
OB2460SEM-BS	4	24"	610	60"	1524	202	91.6
OB2472SEM-BS	4	24"	610	72"	1829	243	110.2
OB2484SEM-BS	6	24"	610	84"	2134	284	128.8
OB2496SEM-BS	6	24"	610	96"	2438	326	147.9
OB24120SEM-BS	6	24"	610	120"	3048	390	176.9
OB3036SEM-BS	4	30"	762	36"	914	137	62.1
OB3048SEM-BS	4	30"	762	48"	1219	167	75.8
OB3060SEM-BS	4	30"	762	60"	1524	201	91.2
OB3072SEM-BS	4	30"	762	72"	1829	251	113.9
OB3084SEM-BS	6	30"	762	84"	2134	299	135.6
OB3096SEM-BS	6	30"	762	96"	2438	344	156.0
OB30120SEM-BS	6	30"	762	120"	3048	438	198.7

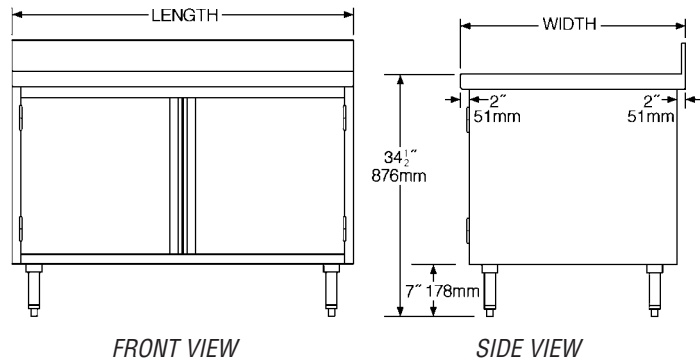
Spec-Master® Marine Counter Edge Cabinets with Sliding Doors



model #	# of legs	width		length		weight	
		in.	mm	in.	mm	lbs.	kg
CB2436SEM-BS	4	24"	610	36"	914	139	63.1
CB2448SEM-BS	4	24"	610	48"	1219	171	77.6
CB2460SEM-BS	4	24"	610	60"	1524	214	97.1
CB2472SEM-BS	4	24"	610	72"	1829	256	116.1
CB2484SEM-BS*	6	24"	610	84"	2134	304	137.9
CB2496SEM-BS*	6	24"	610	96"	2438	343	155.6
CB24120SEM-BS*	6	24"	610	120"	3048	390	176.9
CB3036SEM-BS	4	30"	762	36"	914	143	64.9
CB3048SEM-BS	4	30"	762	48"	1219	174	78.9
CB3060SEM-BS	4	30"	762	60"	1524	221	100.2
CB3072SEM-BS	4	30"	762	72"	1829	264	119.8
CB3084SEM-BS*	6	30"	762	84"	2134	319	144.7
CB3096SEM-BS*	6	30"	762	96"	2438	355	161.0
CB30120SEM-BS*	6	30"	762	120"	3048	458	207.8

* Note: Worktables 84" (2134mm) and longer have two sets of doors.

Spec-Master® Marine Counter Edge Cabinets with Hinged Doors



model #	# of legs	width		length		weight	
		in.	mm	in.	mm	lbs.	kg
CBH2436SEM-BS	4	24"	610	36"	914	139	63.1
CBH2448SEM-BS	4	24"	610	48"	1219	171	77.6
CBH2460SEM-BS	4	24"	610	60"	1524	214	97.1
CBH2472SEM-BS	4	24"	610	72"	1829	256	116.1
CBH2484SEM-BS*	6	24"	610	84"	2134	304	137.9
CBH2496SEM-BS*	6	24"	610	96"	2438	343	155.6
CBH24120SEM-BS*	6	24"	610	120"	3048	390	176.9
CBH3036SEM-BS	4	30"	762	36"	914	143	64.9
CBH3048SEM-BS	4	30"	762	48"	1219	174	78.9
CBH3060SEM-BS	4	30"	762	60"	1524	221	100.2
CBH3072SEM-BS	4	30"	762	72"	1829	264	119.8
CBH3084SEM-BS*	6	30"	762	84"	2134	319	144.7
CBH3096SEM-BS*	6	30"	762	96"	2438	355	161.0
CBH30120SEM-BS*	6	30"	762	120"	3048	458	207.8

* Note: Worktables 84" (2134mm) and longer have two sets of doors.

EAGLE GROUP
 100 Industrial Boulevard, Clayton, DE 19938-8903 USA
 Phone: 302-653-3000 • Fax: 302-653-2065
 www.eaglegrp.com

Foodservice Division: Phone 800-441-8440
 MHC/Retail Display Divisions: Phone 800-637-5100

Printed in U.S.A.
 ©2013 by Eagle Group

Rev. 08/13

Spec sheets available for viewing, printing or downloading from our online literature library at www.eaglegrp.com

Although every attempt has been made to ensure the accuracy of the information provided, we cannot be held responsible for typographical or printing errors. Information and specifications are subject to change without notice. Please confirm at time of order.