

"ST4R5-SSK" STAINLESS STEEL TOP WORK TABLES

14GA Top w/5" Riser & Stainless Steel Legs & Adjustable Undershelf

FEATURES:

- 14GA Stainless Steel Top w/5" Riser & Turndown
- Type 300 Stainless Steel With #4 Polish, Satin Finish
- Top Is Sound Deadened
- Reinforced With 1"x2" Channel Running Entire Length Of Table
- 1-1/2" Stallion Edge On Front Side Edges 90 Degree Bend Down For Table Line-Up
- Stainless Steel Base With Adjustable Undershelf
- Adjustable Bullet Feet
- Ships Knocked-Down Easy-To-Assemble

SPECIFICATIONS:

- Top: Stainless Steel Tops Are TIG Welded, Exposed Welds Are Polished To Match Adjacent Surface
- Top: 14GA Stainless Steel Type 300 Stainless Steel With #4 Polish, Satin Finish
- Shelf: 18GA Stainless Steel, (36" Wide Tables, 16GA Lower Shelf)
- Legs: 1-5/8" Round O.D. 16GA Tubular Stainless Steel
- Gussets: Stainless Steel
- Feet: 1" Adjustable Stainless Bullet Feet



ST4R5-3048SSK

CERTIFICATIONS:



ACCESSORIES

DESCRIPTION

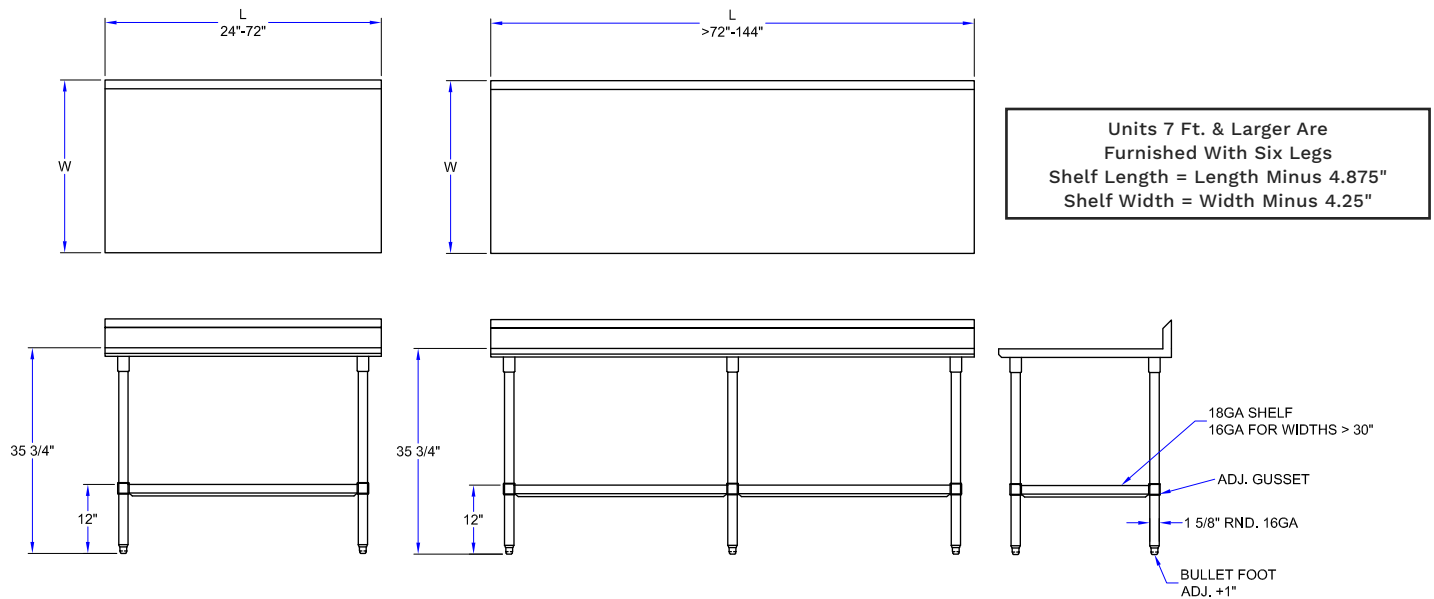
- Drawer
- Drawer Lock
- Casters
- Overshelves
- Sinks
- Pot Rack

"ST4R5-SSK" STAINLESS STEEL TOP WORK TABLES

LENGTH	24" WIDE	WT	WT CAP	30" WIDE	WT	WT CAP	36" WIDE	WT	WT CAP
24"	ST4R5-2424SSK	48	900	ST4R5-3024SSK	54	900	ST4R5-3624SSK	63	900
30"	ST4R5-2430SSK	54	900	ST4R5-3030SSK	61	900	ST4R5-3630SSK	75	900
36"	ST4R5-2436SSK	61	900	ST4R5-3036SSK	69	900	ST4R5-3636SSK	84	900
48"	ST4R5-2448SSK	75	900	ST4R5-3048SSK	86	900	ST4R5-3648SSK	104	900
60"	ST4R5-2460SSK	89	650	ST4R5-3060SSK	103	650	ST4R5-3660SSK	124	650
72"	ST4R5-2472SSK	104	420	ST4R5-3072SSK	119	420	ST4R5-3672SSK	145	420
84"	ST4R5-2484SSK	125	1350	ST4R5-3084SSK	143	1350	ST4R5-3684SSK	176	1350
96"	ST4R5-2496SSK	139	1350	ST4R5-3096SSK	160	1350	ST4R5-3696SSK	197	1350
108"	ST4R5-24108SSK	153	1350	ST4R5-30108SSK	176	1350	ST4R5-36108SSK	217	1350
120"	ST4R5-24120SSK	166	1200	ST4R5-30120SSK	193	1200	ST4R5-36120SSK	238	1200
132"	ST4R5-24132SSK	180	960	ST4R5-30132SSK	209	960	ST4R5-36132SSK	258	960
144"	ST4R5-24144SSK	194	750	ST4R5-30144SSK	226	750	ST4R5-36144SSK	278	750

OVERALL WEIGHT (WT) AND MAX WEIGHT CAPACITY (WT CAP) ARE IN POUNDS (LBS). MAX WEIGHT CAPACITY EVENLY DISTRIBUTED. ALL DIMENSIONS ARE TYPICAL. TOLERANCE +/- .500". JOHN BOOS & CO. RESERVES THE RIGHT TO CHANGE SPECIFICATIONS WITHOUT NOTICE.

DETAILED SPECIFICATIONS



Units 7 Ft. & Larger Are
Furnished With Six Legs
Shelf Length = Length Minus 4.875"
Shelf Width = Width Minus 4.25"

MODEL # STRUCTURE

5 = Ht. Of Riser w/Turndown
R = Top w/Riser
4 = 14GA Work Surface
ST = Stainless Steel Top

24 = Width Of Work Surface
30 = Length Of Work Surface
SS = Stainless Legs & Shelf
K = Ships Knocked Down

ST4R5-2430SSK

"ST4R5-SSK" STAINLESS STEEL TOP WORK TABLES

LENGTH	24" WIDE	WT	WT CAP	30" WIDE	WT	WT CAP	36" WIDE	WT	WT CAP
24"	ST4R5-2424SSK	48	900	ST4R5-3024SSK	54	900	ST4R5-3624SSK	63	900
30"	ST4R5-2430SSK	54	900	ST4R5-3030SSK	61	900	ST4R5-3630SSK	75	900
36"	ST4R5-2436SSK	61	900	ST4R5-3036SSK	69	900	ST4R5-3636SSK	84	900
48"	ST4R5-2448SSK	75	900	ST4R5-3048SSK	86	900	ST4R5-3648SSK	104	900
60"	ST4R5-2460SSK	89	650	ST4R5-3060SSK	103	650	ST4R5-3660SSK	124	650
72"	ST4R5-2472SSK	104	420	ST4R5-3072SSK	119	420	ST4R5-3672SSK	145	420
84"	ST4R5-2484SSK	125	1350	ST4R5-3084SSK	143	1350	ST4R5-3684SSK	176	1350
96"	ST4R5-2496SSK	139	1350	ST4R5-3096SSK	160	1350	ST4R5-3696SSK	197	1350
108"	ST4R5-24108SSK	153	1350	ST4R5-30108SSK	176	1350	ST4R5-36108SSK	217	1350
120"	ST4R5-24120SSK	166	1200	ST4R5-30120SSK	193	1200	ST4R5-36120SSK	238	1200
132"	ST4R5-24132SSK	180	960	ST4R5-30132SSK	209	960	ST4R5-36132SSK	258	960
144"	ST4R5-24144SSK	194	750	ST4R5-30144SSK	226	750	ST4R5-36144SSK	278	750

OVERALL WEIGHT (WT) AND MAX WEIGHT CAPACITY (WT CAP) ARE IN POUNDS (LBS). MAX WEIGHT CAPACITY EVENLY DISTRIBUTED.
ALL DIMENSIONS ARE TYPICAL. TOLERANCE +/- .500". JOHN BOOS & CO. RESERVES THE RIGHT TO CHANGE SPECIFICATIONS WITHOUT NOTICE.