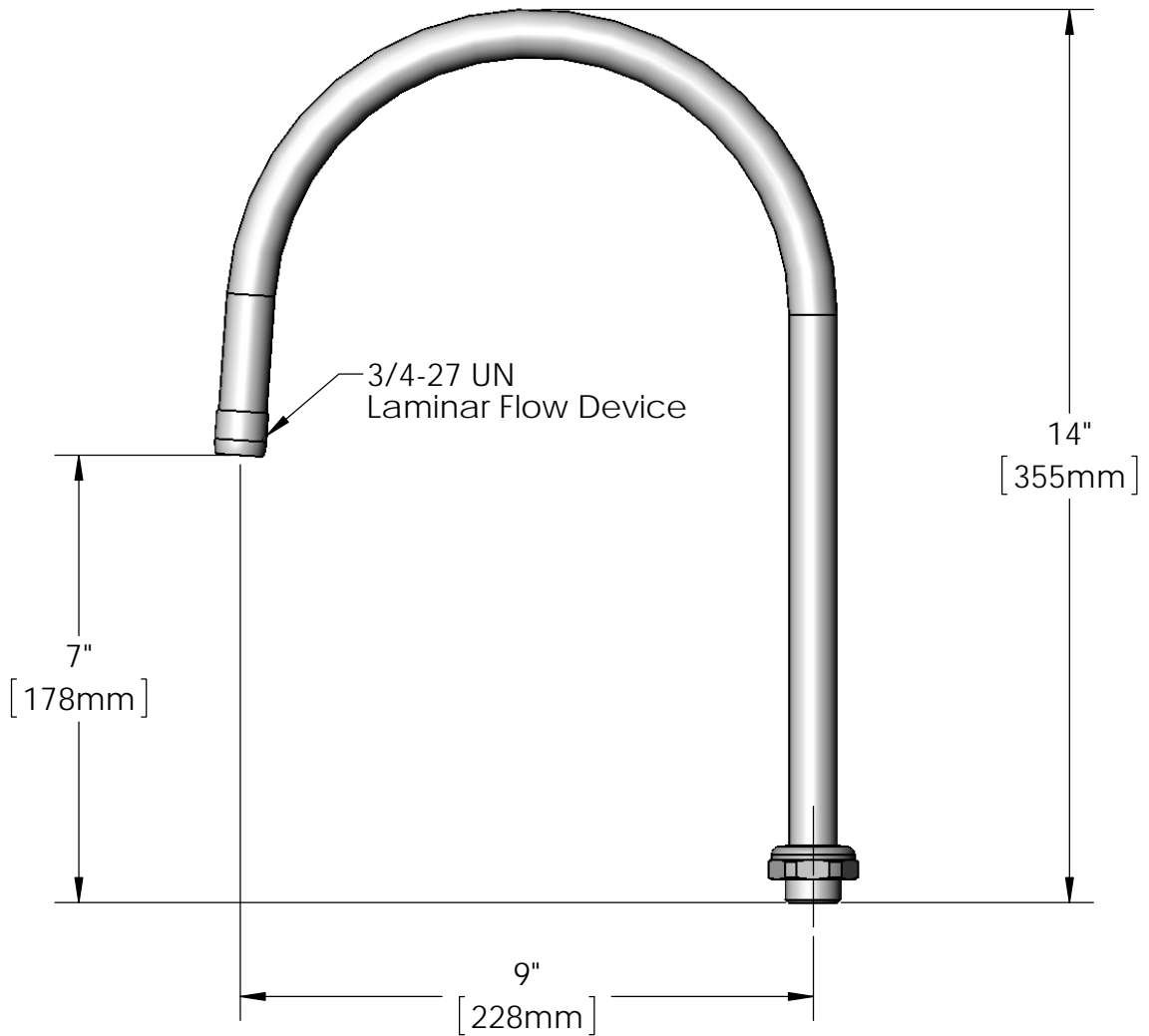


*This Space for Architect/Engineer Approval*

Job Name \_\_\_\_\_ Date \_\_\_\_\_  
 Model Specified \_\_\_\_\_ Quantity \_\_\_\_\_  
 Customer/Wholesaler \_\_\_\_\_  
 Contractor \_\_\_\_\_  
 Architect/Engineer \_\_\_\_\_



Note:  
 Rigid Conversion Requires  
 014200-45 Lock Washer  
 (Sold Separately)

Model Number 5SP-09	Date 11/12/12	Scale 1:3	Drawn DMH	Checked KJG	Approved JHB
------------------------	------------------	--------------	--------------	----------------	-----------------



Product Specifications:

9" Swivel Gooseneck w/ Laminar Flow Device

equip Foodservice Accessories  
 2 Saddleback Cove, P.O. Box 1088  
 Travelers Rest, South Carolina 29690  
 Phone: 800.891.4808 Fax: 800.868.0084