

APPLICATION:

PRODUCT NAME:
ELECTRONIC SENSOR BS

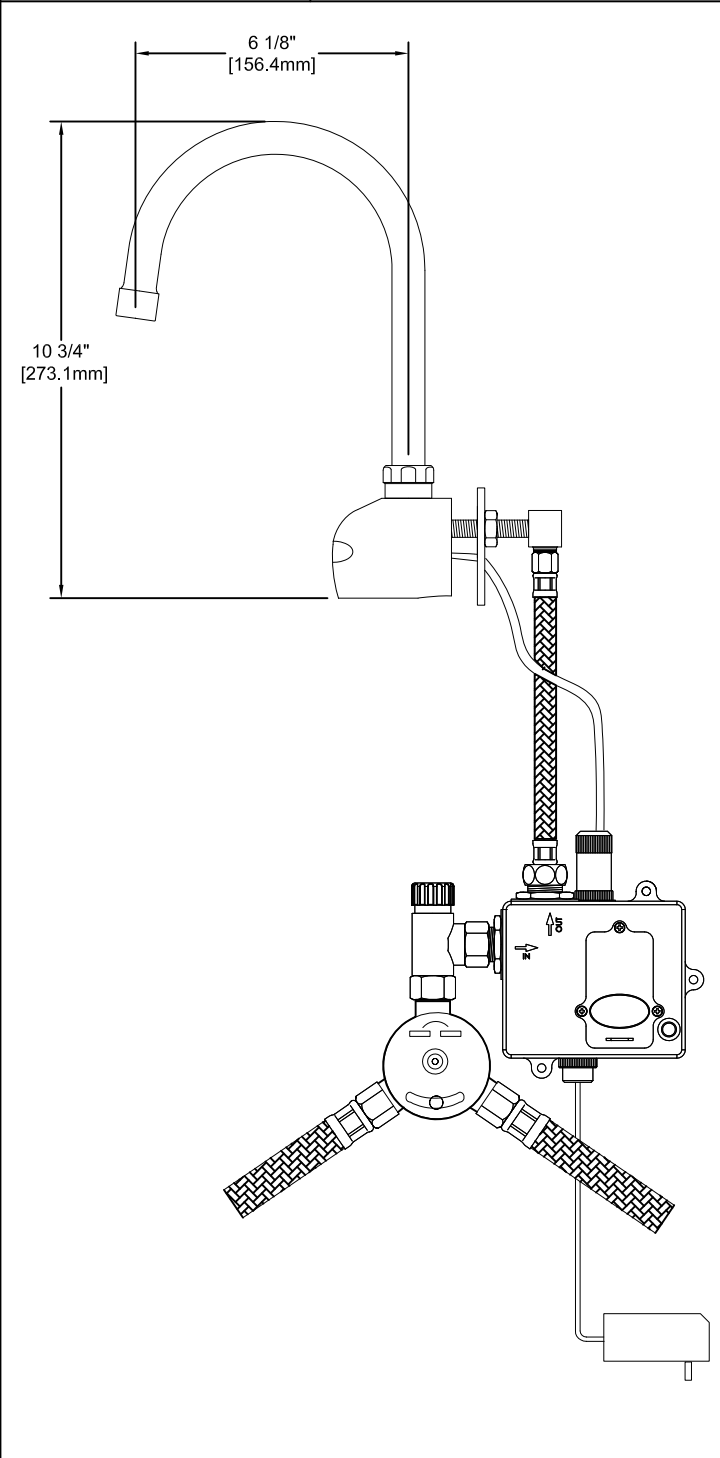
JOB NAME:

MODEL:

QUANTITY:

ITEM NO.:

- 74013 ELECTRONIC SENSOR BS 0.35 GPM
- 73750 ELECTRONIC SENSOR BS 0.50 GPM
- 74008 ELECTRONIC SENSOR BS 1.00 GPM
- 74014 ELECTRONIC SENSOR BS 1.50 GPM
- 74007 ELECTRONIC SENSOR BS 1.80 GPM
- 74006 ELECTRONIC SENSOR BS 2.20 GPM
- 74015 ELECTRONIC SENSOR BS 5.00 GPM

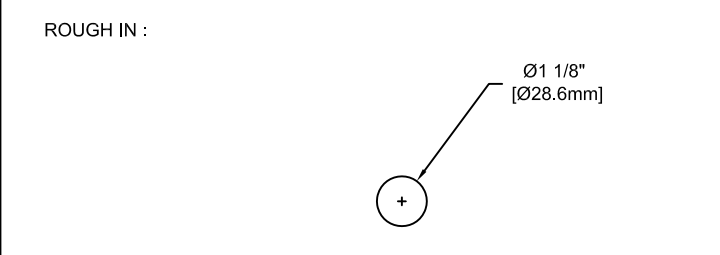


OPTIONS OR MODIFICATIONS:
 OTHER _____

- FEATURES:
- * AUTOMATIC SENSOR FAUCET
 - * LOW LEAD BRASS WITH CHROME PLATING
 - * BATTERY INCLUDED FOR DC USE
 - * POWER SUPPLY INCLUDED FOR AC USE
 - * FRESH BATTERY LIFE UP TO 500,000 CYCLES
 - * LOW BATTERY INDICATOR: RED LIGHT FLASH
 - * 3 BRAIDED SUPPLY LINES
 - * MECHANICAL MIXING VALVE

- SYSTEM LIMITS
- * TEMP: 40°F MIN. TO 160°F MAX.
 - * PRESSURE 200 PSI MAX. STATIC

- SHIPPING WEIGHT
- * 8.0 LBS



FISHER
FISHER MANUFACTURING COMPANY
TOLL FREE: 800-421-6162 - FAX: 800-832-8238
information@fisher-mfg.com - www.fisher-mfg.com

WARNING:
Proposition 65 requires that we provide you with the following notice: "This product Contains A Chemical Known To The State Of California To Cause Cancer Or Birth Defects Or Other Reproductive Harm."

