

**HOBART**701 S Ridge Avenue, Troy, OH 45374  
1-888-4HOBART • www.hobartcorp.com**FD4/50 FD4/75 FD4/125  
FOODWASTE DISPOSERS****HOBART****COMPACT SIZE -  
BIG VERSATILITY**

Hobart Disposers are well recognized for quality and capacity. They're designed with your needs in mind - built with a large capacity for food wastes.

The following pages illustrate the variations of controls and accessories available to make these food waste disposers the most versatile equipment for small to medium sized clean-up systems.

**SPECIFICATIONS**

**MOTORS:** Continuous duty rating, equipped with manual reset thermal overload inherent protector. Permanently lubricated ball bearings for upper and lower shelf support. Upper bearing is sealed on both sides.

**HOUSINGS:** Heavy aluminum grind and discharge housings. Four bolts fasten the motor unit to the grind chamber, permit easy removal.

**MOUNTING:** All Hobart Disposers (except when using accessory group E), fasten to 7" I.D. (throat opening) cones. A vinyl isolating ring eliminates metal-to-metal contact at the cone mounting, reduces vibration and noise transmission.

**STATIONARY SHREDDER RING:** 1¾" high, 4 machine ground primary action breaker bars, 42 secondary action grinding teeth.

**FLYWHEEL:** Breaker blade, mounted at center, speeds grinding, prevents objects from "riding" at center. Two hardened stainless steel cutter blocks (fastened to flywheel with nylock screws) are replaceable, can be indexed for new cutting edges. Ni-Resist flywheel is 6⅞" diameter, slots undercut the shredder ring to assure that particles are cut to proper size before passing to the drain line.

**MOTOR SHAFT SEAL:** Seal is a high quality, cartridge style mechanical face seal. The rotating mating ring matches to a wear resistant seal surface.

**DRAIN CONNECTOR:** A chrome plated brass tail-piece is provided for connection to a 1½" standard drain trap.

**DUAL DIRECTIONAL GRINDING:** All Disposers operate in either direction of flywheel rotation. Direction of rotation can be controlled by the operator (to increase life and efficiency of grinding elements — back flywheel free of a "jam") when installed with Control Groups 5 & 6.

**WEIGHT:** Shipping – Approx. 60 lbs. (does not include accessory group or controls).

**FD4/50 FD4/75 FD4/125 FOODWASTE DISPOSERS**

Long Housing Model

Complies with  
ASSE 1009

# FD4/50 FD4/75 FD4/125 FOODWASTE DISPOSERS



701 S Ridge Avenue, Troy, OH 45374  
1-888-4HOBART • www.hobartcorp.com

## ACCESSORY GROUPS




**GROUP A** (For use with long upper housing only.)

-  Vinyl Scrapping Ring
-  Stainless Steel Silver-Saver Sleeve with Side Feed Hole
-  Water Swirl
-  Vacuum Breaker

**GROUP B** (For use with long upper housing only.)

-  Vinyl Silver-Saver Splash Guard Ring
-  Water Swirl
-  Vacuum Breaker

**GROUP C** (For use with long upper housing only.)


-  Vinyl Silver-Saver Splash Guard Ring
-  Vacuum Breaker
-  Pre-Rinse Spray with Wall Bracket

**GROUP E** (For use with short upper housing only.)

- NOTE: For use with short Upper Housing Foodwaste Disposer only.
-  Cover Stopper and Sink Adapter Assembly for 3 1/2" to 4" Sink Opening
  -  Fixed Direction Water Inlet for Sink
  -  Vacuum Breaker



## ACCESSORY COMPONENTS

### CONES-SINK—Stainless Steel


-  **Part No.**  
Cone 15" I.D. w/hole for water swirl inlet ..... 204007
- Cone 18" I.D. w/hole for water swirl inlet ..... 204004
- Cone 15" I.D. w/out swirl hole .... 204006
- Cone 18" I.D. w/out swirl hole .... 204003

-  Sink 16" x 20" x 7" (7" opening) w/hole for water inlet.....204015-2


### WATER INLETS

-  Cone Water Swirl Inlet 1/2" N.P.T..... 204380
-  Fixed Direction Water Inlet (for sinks or troughs) 1/2" N.P.T..... 204346

## FLOW CONTROL

-  **Part No.**  
5 Gallons per minute for Model FD4/50 through FD4/125 — 3/4" N.P.T..... 201721

## CONE COVER – STAINLESS STEEL

-  15" Cone cover w/feed hole ..... 204024
- 18" Cone Cover w/feed hole..... 204023

## CONE FEEDING ACCESSORIES

-  Vinyl Scrapping Ring..... 202113
-  Stainless Steel Silver-Saver Sleeve with side feed hole..... 203870


## SILVER-SAVER SPLASH GUARD RING

-  Vinyl Silver-Saver and Splash Guard Ring (for 7" opening cones, sinks and adapter) ..... 202120

## VACUUM BREAKERS – Chrome Plated

-  3/4" ..... 277112

## PRE-RINSE SPRAYS

- PR-3 Heavy-duty Flexible Pre-Rinse Spray (38" high with wall bracket) ML-32333
- 

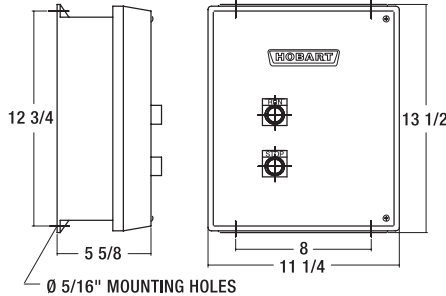
Adapters are available to install Hobart Disposers on existing cones. See Form F7543.



701 S Ridge Avenue, Troy, OH 45374  
1-888-4HOBART • www.hobartcorp.com

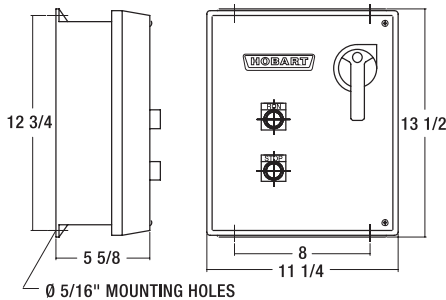
# FD4/50 FD4/75 FD4/125 FOODWASTE DISPOSERS

## ELECTRICAL CONTROL GROUPS Listed by Underwriters Laboratories Inc., for use with FD4 Disposers (50 Hz. Electrical Specifications not submitted for UL Listing.)



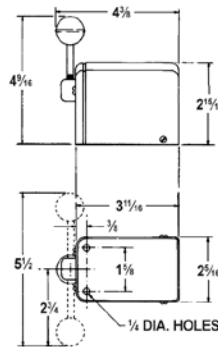
**Group 5 - For all Models**  
*Includes:*  
Magnetic Contactors  
Pushbutton Start and Stop  
Automatic Reversing  
Made from a NEMA 4 Enclosure  
Solenoid Valve (24 V only)

Approximate  
Shipping Wt. 19 lbs.



**Group 6 - For all Models**  
*Includes:*  
Magnetic Contactors  
Pushbutton Start and Stop  
Automatic Reversing  
Time Delay for water after shut-off  
Line Disconnect  
Solenoid Valve (24 V only)  
Made from a NEMA 4 Enclosure

Approximate  
Shipping Wt. 20 lbs.



**Group 4 - For Models thru FD4/200**  
*Includes:*  
Manual Reversing Switch  
NEMA 1 Enclosure Standard  
NEMA 4 Enclosure Optional  
Not available above 250 volts  
Optional Solenoid Valve

Approximate  
Shipping Wt. 11 lbs.

Model	H.P.	Ph.	Hz.	Volts	Rated Amps
FD4/50	1/2	1	60	120/208-240	4.6/2.3
		3	60	208-240/480	2.5-2.4/1.2
FD4/75	3/4	1	60	120/208-240	6.3/3.15
		3	60	208-240/480	2.6-2.4/1.2
FD4/125	1 1/4	1	60	120/208-240	11.1/5.05
		3	60	208-240/480	3.7-3.6/1.8
FD4/50	1/2	1	50	110-120/220-240	6.8/3.4
		3	50	220-240/380-415	2.6/1.3
FD4/75	3/4	1	50	110-120/220-240	8.2/4.1
		3	50	220-240/380-415	2.6/1.3
FD4/125	1 1/4	1	50	110-120/220-240	12.8/6.4
		3	50	220-240/380-415	4.0/2.0

The dash (-) between voltages represents the range (low-high) of voltage operation. The slant (/) line indicates the dual voltage operation accomplished by motor lead connection: follow connecting diagram on motor.

### SAMPLE SPECIFICATION

FD4/75 - B - 4 (230/60/3)

Electrical Specifications

Electrical Control Group

Accessory Group

Model Number

Cut hole 19" for 18" cone. Hole to be 16" for 15" cone.

Solenoid must be installed in upright position.

Disposer may be easily rotated for better drain line connection.

Center line at wall outlet of trap should not be higher than center line of disposer discharge opening.

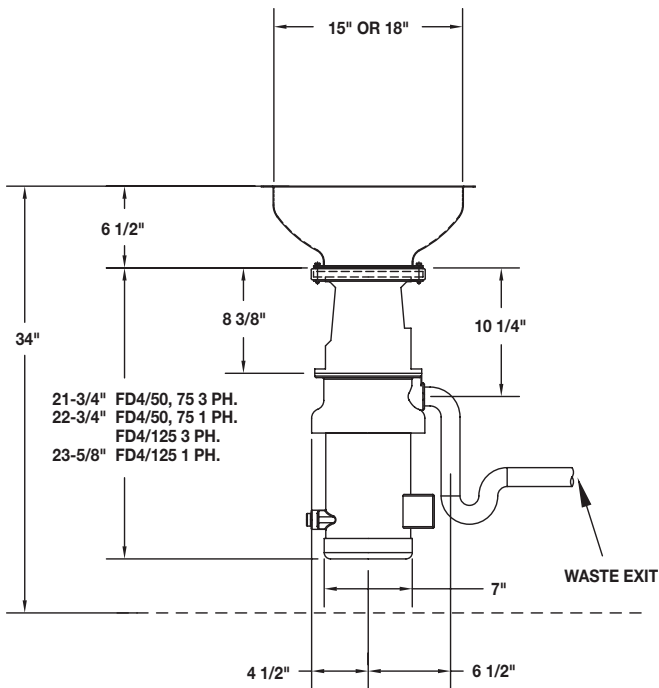
If water pressure is in excess of 60 P.S.I. install a pressure reducing valve.

# FD4/50 FD4/75 FD4/125 FOODWASTE DISPOSERS

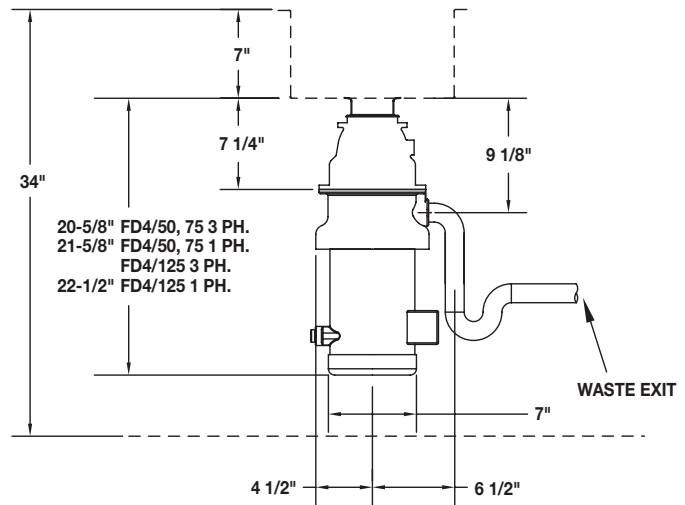


701 S Ridge Avenue, Troy, OH 45374  
1-888-4HOBART • www.hobartcorp.com

## DETAILS AND DIMENSIONS

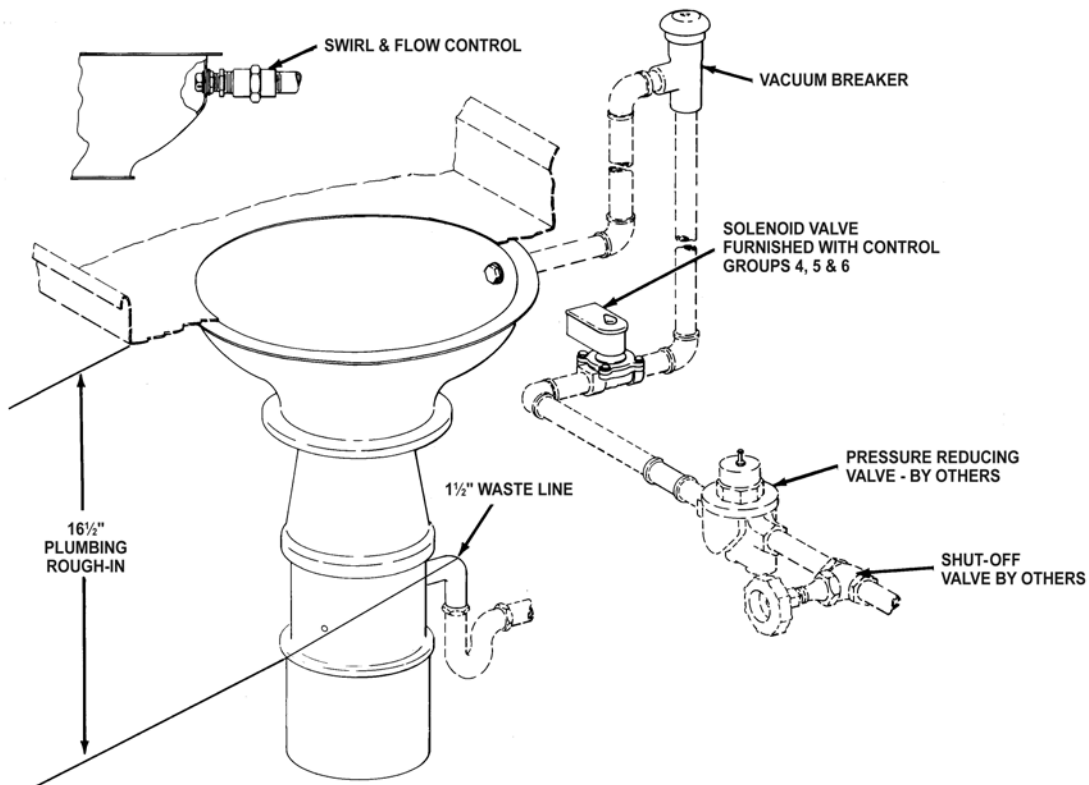


**LONG UPPER HOUSING**



**SHORT UPPER HOUSING**

## TYPICAL INSTALLATION - Unit with Long Upper Housing.



As continued product improvement is a policy of Hobart, specifications are subject to change without notice.