

### "CU-CULART" CUCINA AMERICANA COLLECTION *Cucina Culinarté Carts - 1½" Thick Edge Grain Top*

#### FEATURES:

- Northern Hard Rock Maple, American Black Walnut, Or American Cherry Removable Cutting Board
- Edge Grain Construction
- Included Stainless Steel Towel Bar
- Food Service Grade Locking Casters
- Oil Finish

#### CERTIFICATIONS:



NHLA



CU-CULART30



WAL-CU-CULART30



CHY-CU-CULART30



GALLEY RAILS (GRK10-8)

#### ACCESSORIES

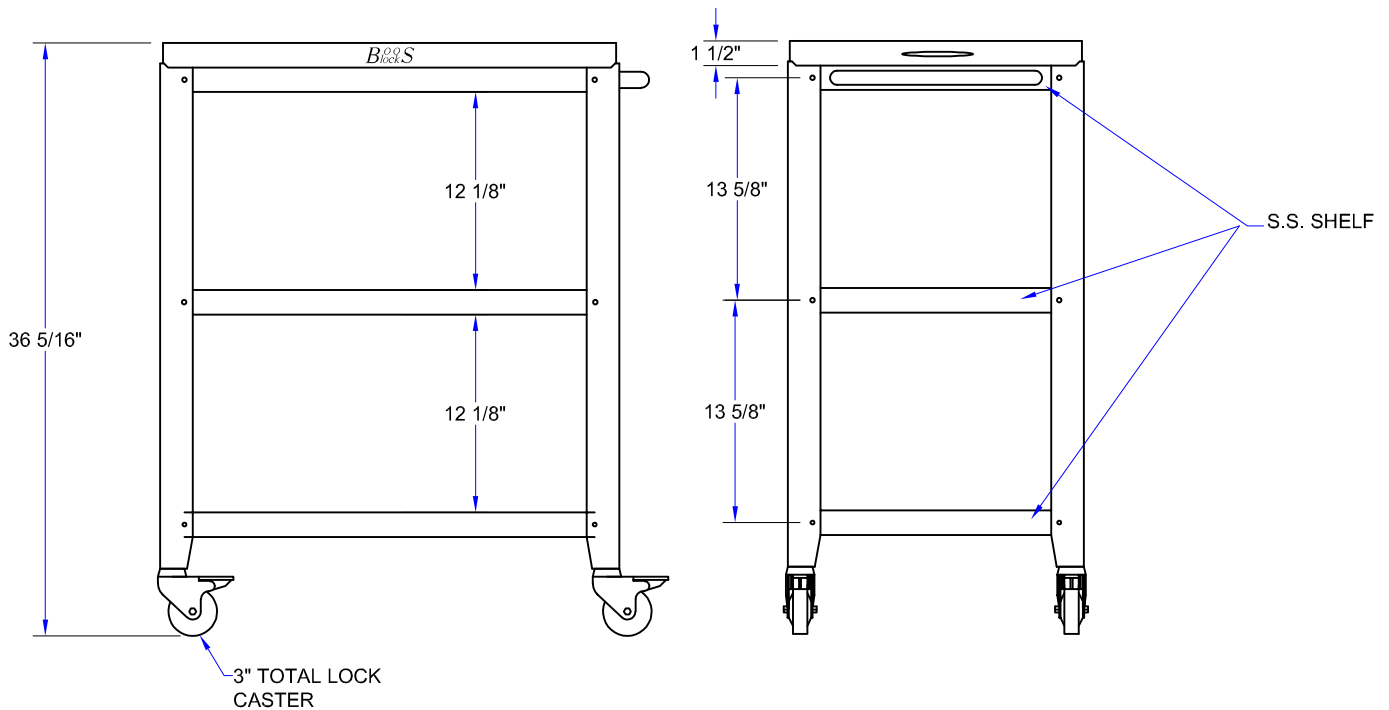
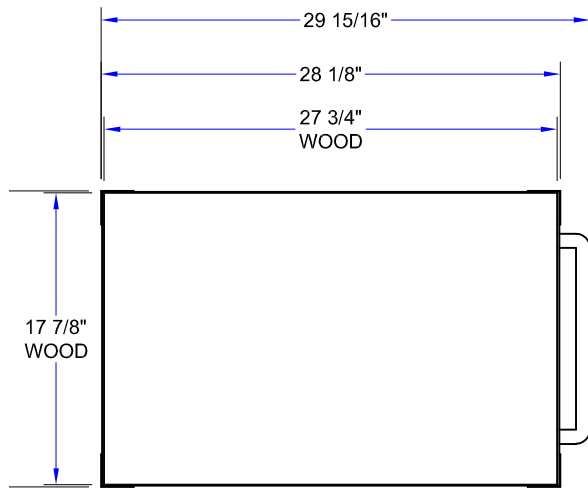
MODEL	DESCRIPTION
GRK10-8	Galley Rails - Set Of 8 (Hardware Included)

#### "CU-CULART" CUCINA CULINARTÉ CARTS

MODEL	DESCRIPTION	TOP SIZE (L X W X H)	OVERALL HEIGHT	WT. (LBS)
CU-CULART30	Maple Top	30"x18-1/8"x1-1/2"	36-5/16"	72
WAL-CU-CULART30	Walnut Top	30"x18-1/8"x1-1/2"	36-5/16"	71
CHY-CU-CULART30	Cherry Top	30"x18-1/8"x1-1/2"	36-5/16"	73

ALL DIMENSIONS ARE TYPICAL. TOLERANCE +/- .500". JOHN BOOS & CO. RESERVES THE RIGHT TO CHANGE SPECIFICATIONS WITHOUT NOTICE.

# DETAILED SPECIFICATIONS



## "CU-CULART" CUCINA CULINARTÉ CARTS

MODEL	DESCRIPTION	TOP SIZE (L X W X H)	OVERALL HEIGHT	WT. (LBS)
CU-CULART30	Maple Top	30"x18-1/8"x1-1/2"	36-5/16"	72
WAL-CU-CULART30	Walnut Top	30"x18-1/8"x1-1/2"	36-5/16"	71
CHY-CU-CULART30	Cherry Top	30"x18-1/8"x1-1/2"	36-5/16"	73

ALL DIMENSIONS ARE TYPICAL. TOLERANCE +/- .500". JOHN BOOS & CO. RESERVES THE RIGHT TO CHANGE SPECIFICATIONS WITHOUT NOTICE.