

Equipment Stand

Models ES28,
ES28RL (stand with rails on right
and left sides of drawer)

StoreSafe

Features & Benefits

- Perfect for cash registers or computers at the end of a school lunch line or for completing any self-serve buffet or salad bar concept.
- Increase food preparation area for microwave ovens, slicers and other appliances.
- Available with or without side rails.
- Handy center drawer slides open to conveniently store cash, customer receipts or equipment accessories.
- Open bottom deck features a cut out design so that the operator can sit or stand comfortably without bumping lower leg area.
- Tough one-piece, seamless, double-wall, high-density, polyethylene construction. Polyurethane foam core provides greater strength and durability.
- Easy to clean and is dent, crack, rust, chip and break resistant.
- Separate 2½" (6,4cm) openings allow cords and plugs to drop safely from the top surface, through the bottom deck and both sides falling neatly to the ground.
- Tray rails fold down quickly and easily for transportation and to minimize storage space requirements.
- Fits through a standard 36" (91,5 cm) wide doorway.
- Four (4) each 5" (12,7 cm) casters, two (2) fixed, two (2) swivel with brakes, offer smooth maneuvering across a lunchroom floor or across campus.
- Non-electrical.
- No assembly required.
- Available in Black.

Item No. _____

Specifier Identification No. _____

Model No. _____

Quantity _____



ES28RL



ES28

Approvals



Equipment Stand

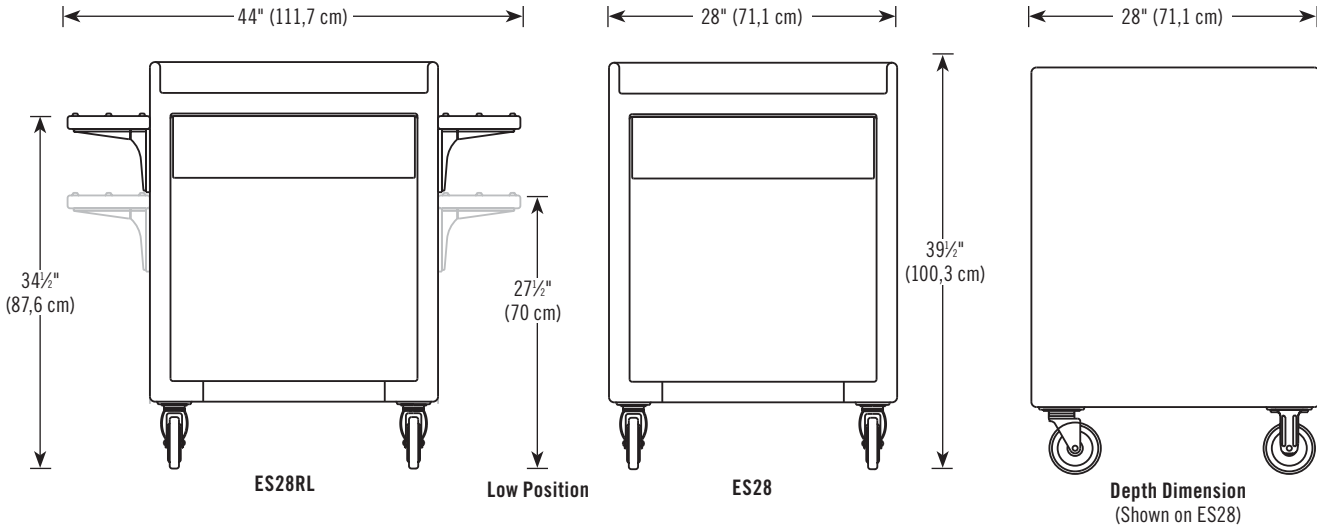
Item No. _____

Specifier Identification No. _____

Model No. _____

Quantity _____

Models ES28,
ES28RL (stand with rails on right
and left sides of drawer)



Specifications

Dimension Tolerance: +/- 1/4" (0,64 cm)

Code	Description	Dimensions W x D x H (Including Casters)	Case lbs./cube kg/m ³
Standard Model			
ES28	Stand only	28" x 28" x 39½" (71 x 71 x 100,3 cm)	76 (19.39) 34,5 (0,55)
ES28RL	Stand with tray rails on right and left sides	44" x 28" x 39½" (112 x 71 x 100,3 cm)	87 (19.68) 39,5 (0,56)

Standard Colors

Black (110)

Architect Specs

The portable merchandising equipment cart shall be an Equipment Stand, Model..., manufactured by Cambro Mfg. Co., Huntington Beach, CA 92647 U.S.A. It shall be made of one-piece, seamless, double-wall polyethylene and foam-injected polyurethane. It shall be available with or without side tray rails and the tray rails shall be available in 34½" (87,6 cm) or as low as 27½" (70 cm) height. It shall have a central drawer. It shall have an open compartment, designed with a cut out section at the base for operator comfort, and also offering convenient storage. It shall have four (4) each 5" (12,7 cm) casters, two (2) fixed, two (2) swivel with brakes. It shall have a separate 2½" (6,4 cm) opening through both top and bottom decks and both sides for cords and plugs to drop through. It shall be available fully assembled and in Black.

Approvals

