



HOSHIZAKI WATER FILTRATION

Model: **HDI-11**
Part #: 160-60105

ITEM #: _____ QTY: _____
JOB NAME/NUMBER _____

Snapshot

The **HDI-11** is a single housing water treatment system with a 10" drop-in cartridge that reduces sediment down to 0.5 micron and reduces chlorine, taste & odor at a flow rate of 1.5 gpm for 15,000 gallons. The system includes IsoNet[®], patented scale inhibiting technology, which delivers consistent protection against the formation and accumulation of scale and provides a protective barrier to help guard against corrosion.

System Benefits

- IsoNet[®] - Patented scale inhibiting technology helps protect equipment against scale and corrosion for the rated capacity of the system.
- Reduces maintenance frequency and cost, and extends equipment life.
- Gradient-density depth filtration reduces dirt, rust, and other debris as small as 1/2 micron to assure clean, clear water and protect solenoids, valves and other fittings against wear and plugging.
- High capacity activated carbon filtration makes water taste great and protects equipment against corrosive chlorine.
- Improves equipment operating efficiency.
- Stainless steel mounting bracket and full-flow inlet shut-off valve makes installation simple.
- Built-in pressure gauge allows visual monitoring of operating pressure.
- Inlet shut-off and depressurization valves make changing the filter quick and simple.
- Generates less waste, only the drop-in cartridge is replaced. No discarding of metal or plastic quick-change filters.
- Replacement cartridge cost per gallon is much less than proprietary quick-change filters.
- NSF Certified under Standard 42.



Application

- Cubers up to 800 lbs.
- Flakers up to 1,000 lbs.

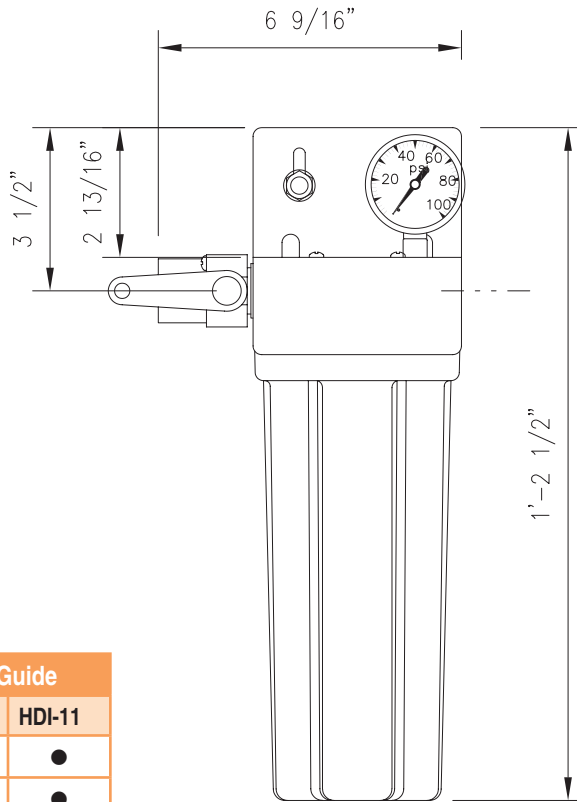
Installation Tips

- Feed-water connection to system should be COLD only.
- Do not exceed system specifications for temperature and pressure.
- Allow 3" clearance below system for filter housing removal and cartridge replacement.
- Detailed installation, operation & maintenance manual is included with each system.
- No activation procedure or flushing is required for system to perform as specified.



HOSHIZAKI WATER FILTRATION

Model: **HDI-11**
Part #: 160-60105



Model HDI-11 is tested and certified by NSF International against NSF/ANSI Standard 42 for the reduction of: Chlorine Reduction, Taste and Odor Reduction, Nominal Particulate Reduction, Class 1

Application Guide	
Model	HDI-11
AM50	●
KM-61	●
KM-101	●
KM-151	●
KM-201	●
KM-260	●
KM-320	●
KM-515	●
KM-600	●
KM-650	●
KML-250	●
KML-351	●
KML-451	●
KML-631	●
KMD-410	●
KMD-450	●
KMS-830	●
KML700-M	●
All Cubelet models except F-2000-c	●
All Flaker models except F-2000	●

► Specifications

System	
Dimensions (Height x Width X Depth, inches)	14 1/2" x 6 9/16" x 5 1/8"
Connection - Inlet & Outlet	1/2" NPT female
Operating Pressure Range	10-125 psi (0.7 -8.6 bar)
Inlet Water Temperature Range	35° -100° F (2° -38° C)
Shipping Weight	6 lbs.
Performance	
Chlorine, Taste and Odor Reduction Capacity	15,000 gals (56,700 liters)
Service Flow Rate	1.5 gpm (5.7 lpm)
Sediment Reduction	.5 micron (nominal)
Scale & Corrosion Inhibitor	IsoNet (70 grams)

Optional Flush Valve Kit - Part #: 160-52910

► Replacement Cartridge(s)

Model	Part Number	Qty
CTO-10H	252-40210	1

It is recommended that filters be changed every six months, when capacity is reached or when effluent pressure or flow becomes inadequate.

This product is for commercial use only and must be installed and maintained according to manufacturers guidelines.

Do not use on water that is microbiologically unsafe or of unknown quality without adequate disinfection before or after the system.

► Warranty

Systems have a 3 year warranty against defects in material and workmanship.

Dealer/Distributor Info:

Mfg. by OptiPure for Hoshizaki America, Inc.

HDI11spec612