



IBM-18x30
Shown with undershelf



IBM-18x30
Shown with enclosed base



Intertek
 4004503
 Conforms to NSF/ANSI STD 2

Project: _____	AIA# _____
Item #: _____ Qty: _____	SIS# _____
Model #: _____	

Mobile Ice Bin

IBM	IBM-18x30
------------	-----------

Standard Features

- All stainless steel construction
- PVC plastic breaker strip around ice bin liner: creates 5/16" raised edge around liner and acts as thermal barrier to prevent heat transfer
- Eco friendly foamed-in-place insulation has zero impact on global warming or ozone depletion
- Four 4" casters (two locking)
- Drain valve for draining melted ice

Configurable Options

- Undershelf
- Enclosed base

Specifications

Drain

- 1" tailpiece. Includes factory installed drain valve. No plumbing hook-up required

Liner Depth

- 10-1/2"

Ice Capacity

- 85 lbs

Casters

- Four heavy duty casters
- The two server side casters are locking

Materials

- 20 gauge stainless steel parts include: all components unless otherwise noted
- 18 gauge stainless steel parts include: optional undershelf
- 16 gauge stainless steel parts include: optional legs
- PVC plastic breaker strip around opening of ice bin liner

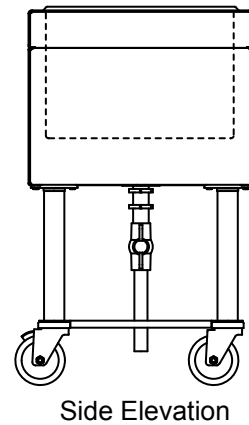
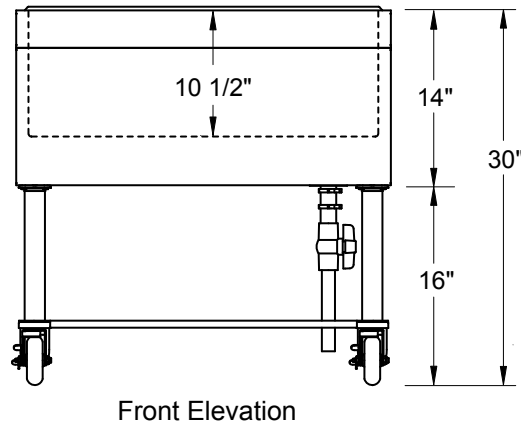
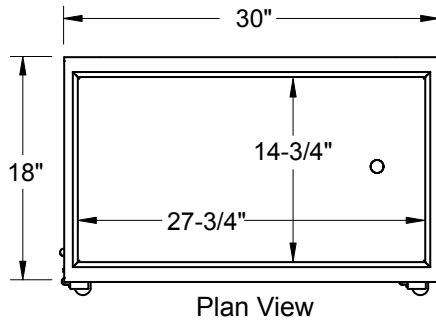
To view underbar installation instructions, please visit: https://www.glastender.com/PDF/F-750-165_Underbar_Installation_Instructions.pdf
 To view cleaning and care instructions, please visit: https://www.glastender.com/PDF/F-423-011_ss_clean_care.pdf

Glastender, Inc. • 5400 North Michigan Road • Saginaw, MI • 48604-9780 989.752.4275 • 800.748.0423 • Fax 989.752.4444 www.glastender.com	Approval/Notes:
Specifications subject to change without notice. For current specifications please visit our website.	

Mobile Ice Bin

Dimensional Information

IBM-18x30
with undershelf



IBM-18x30
with enclosed base

