



Model: **16-120L** Item #: _____ Date: _____

Project: _____ Qty: _____ Approved By: _____

Double Pedal Foot Valve

Royal Series

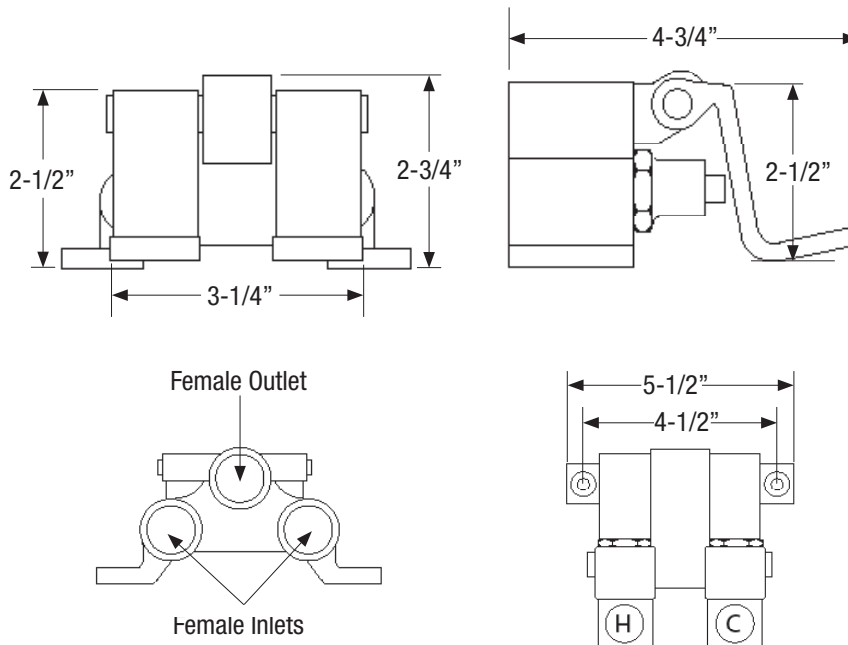


STANDARD FEATURES

- Self-closing valve
- Color-coded foot pedals
- 1/2" female inlets
- 1/2" outlet
- 4-1/2" hole centers
- Lead free compliance

PRODUCT COMPLIANCE

- NSF-61 & NSF/ANSI 372
- ASME A112. 18. 1-2012/CSA BA125. 1-12
- Massachusetts Approved



WARNING: Plumbing connections should be made by qualified personnel who will observe all applicable plumbing, sanitary and safety codes.
California Proposition 65 Warning