



14 GAUGE STAINLESS STEEL
**FLOOR MOUNTED SERVICE SINK
 WITH TUBULAR LEGS**
TOE-PUSH OPERATED



Foot Valves Included
 On All "FV" Models

Item #: _____ Qty #: _____
 Model #: _____
 Project #: _____



FEATURES:

- 8 1/2" high backsplash.
- 12" sink bowl depth.
- One stainless steel "Z" bracket supplied each unit.
- One **K-6** 3 1/2" rear basket drain.
- Four tubular stainless steel legs with stainless steel bullet feet.
- One stainless steel support shelf with rear turn-up.
- Toe-Push Operated:** Includes one **K-104** toe-push valve and one **K-121** spout.
- Single hole provided.

CONSTRUCTION:

- All TIG welded.
- Welded areas blended to match adjacent surfaces and to a satin finish.
- Die formed tubular wall brackets.

MATERIAL:

- All 14 gauge type "304" stainless steel.
- 1 5/8" tubular "304" stainless steel legs.
- Stainless steel gussets.

MECHANICAL:

- Single faucet holes.

Model #	L	W	# of Spouts	# of Pedals	Wt.	Cu.Ft.
FS-FM-3119FV	31"	23"	1	1	101 lbs.	23

[Click Here For Install Guide](#) 

MULTI-STATION ACCESSORIES & REPLACEMENT PARTS

Model	Description	QTY:
 K-6	3 1/2" Drain (1 1/2" I.P.S.)	_____
 K-06	Splash Mount Faucet Mounting Kit	_____
 K-13	Stainless Steel Soap Dispenser (Wall Mount Only)	_____
 K-104	Toe-Push Valve Assembly	_____
 K-121	Single Hole, Splash Mounted 3-1/2" Gooseneck Spout	_____
 K-410	Strainer Plate for 3-1/2" Drain	_____
 K-508	Special Sizing Charge (Larger Size Cut Down To Smaller Size)	_____
 TA-19	Adjustable Stainless Steel Flanged Bullet Foot	_____



K-121



K-104



K-13



K-410



K-06

TA-19

 = Ships UPS

Standard Faucets conform to NSF 61 Standard 9 and compliance to AB 1953 Standards.

WARNING: Equipment that include faucets on this page may contain a chemical known to the State of California to cause cancer, birth defects or other reproductive harm.



Customer Service Available To Assist You **1-800-645-3166** 8:30 am - 7:00 pm E.S.T.

For Orders & Customer Service:

Email: customer@advancetabco.com or Fax: 631-242-6900

For Smart Fabrication™ Quotes:

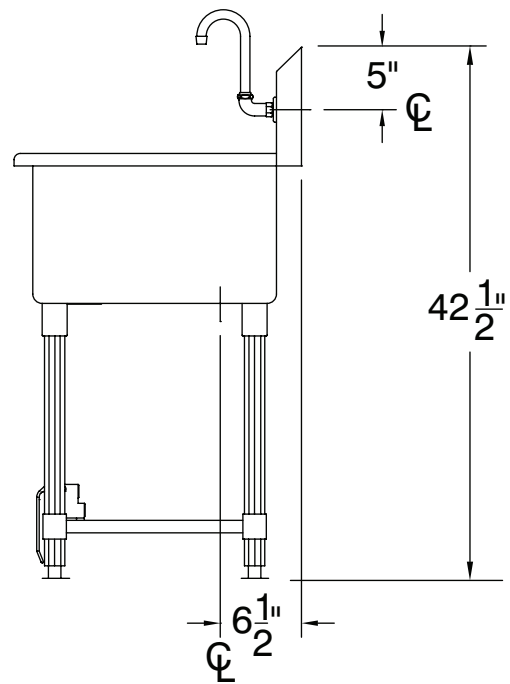
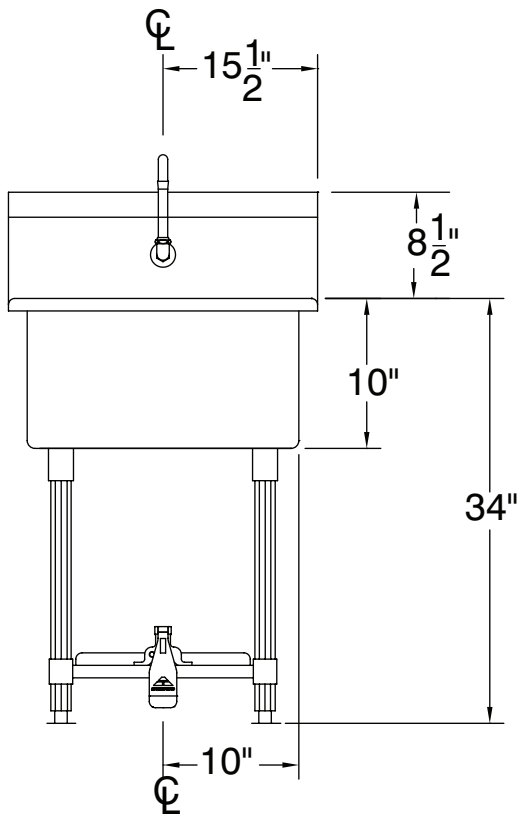
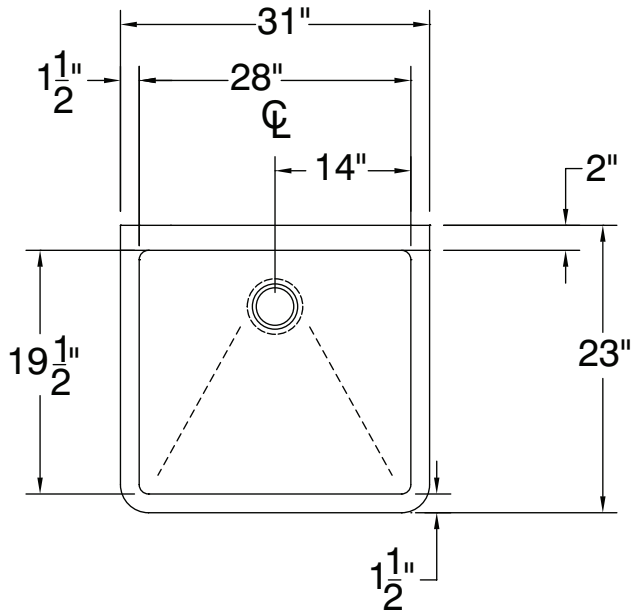
Email: smartfab@advancetabco.com or Fax: 631-586-2933

DETAILS and SPECIFICATIONS

TOL ± .500"

ALL DIMENSIONS ARE TYPICAL

FS-FM-3119FV



103 Lbs.

