

# Dutchess

## Bakers' Machinery Company, Inc.

*A subsidiary of Superior-Lidgerwood-Mundy Corp.*

*A United States of America Manufacturer  
Since 1886*

Item No. \_\_\_\_\_

Model BMIH - 36 (1-4 oz pieces)

Model BMIH - 18 (2-8 oz pieces)

Model BMIH - 9 (4-17 oz pieces)

**Possible Combinations:**

*BMIH-36/18, BMIH-36/9, BMIH-18/9, BMIH-36/18/9*

### Manually Operated Dough Divider

*Three machines in one Capability!*

Interchangeable head assemblies in either 36, 18 and 9-part divisions allow fast accurate scaling of dough in weights ranging from:

36 pieces from 1 ounce up to 4 ounces each

- or -

18 pieces from 2 ounces up to 8 ounces each

- or -

9 pieces from 4 ounces up to 17 ounces each

When removed for cleaning or interchange, the entire head assembly can be placed into a sink or dishwasher for complete cleaning to a sanitary operating condition in just minutes per day.

Capable of dividing many types of dough including Yeast Raised, Cookie, Pie and even Ground Meat or Sausage for exact portion control.

Simple to operate - learn in just minutes!

*Two year Warranty.*

Lightweight and mobile when mounted to **Portable Stand** (P/N B4-436-0072) *not shown*

Made in the USA



**NSF** NSF (National Sanitation Foundation Intl.)

**USDA** USDA (United States Dept. of Agriculture)

**ASSOCIATE MEMBER**  
**MAFSI**  
Manufacturers' Agents for  
the Food Service Industry

**Dutchess Bakers' Machinery Co.**  
302 Grand Avenue, PO Box 39  
Superior, WI 54880

**ISO 9000:2001 COMPLIANT**

Toll Free: 800-777-4498  
Phone: 715-394-4444  
Fax: 715-394-2406  
sales@dutchessbakers.com  
www.dutchessbakers.com

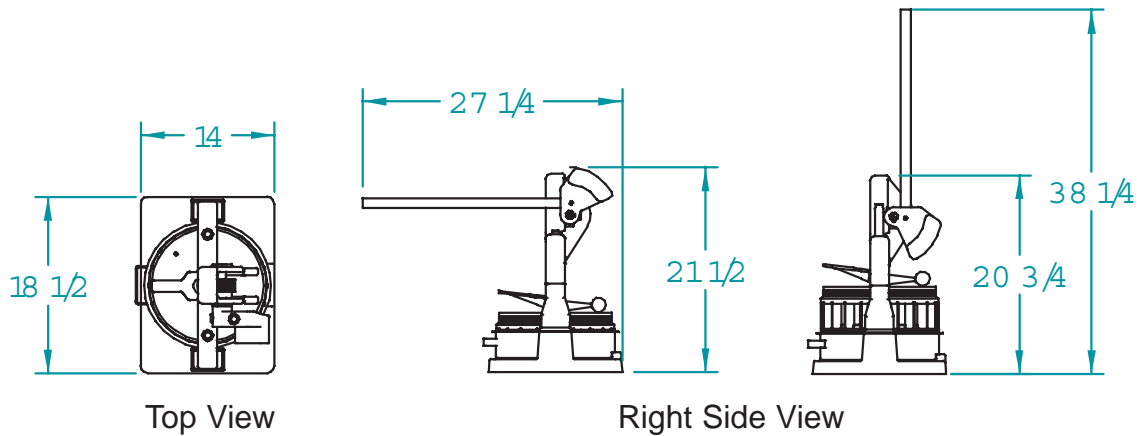
# MODEL BMIH-36 ~ MODEL BMIH-18 ~ MODEL BMIH-9

(1 oz - 4 oz each)

(2 oz - 8 oz each)

(4 oz - 17 oz each)

## Manually Operated Bench Model Dough Dividers



### **Machine Dimensions:**

**Width:** 18-1/2" (46.99 cm) **Depth:** 14" (35.56 cm) **Height:** (incl. handle) 38-1/4" (97.15 cm)  
**Shipping Wt.:** 88 lbs.(39.6 kg) **Net Wt.:** 80 lbs (36 kg) **Shipping Class:** 85 **FOB:** 54880  
**Shipping Dimensions:** 15-3/4" x 19-1/2" x 25-1/2" (40 cm x 49.53 cm x 53.97cm)

### **Stand Dimensions:**

**Width:**18-1/2" (46.99 cm) **Depth:** 23" (58.42 cm) **Height:** 28-1/2" (72.39 cm)  
**Stand Shipping Wt:** 35 lbs (15.88 kg) **Shipping Dimensions:** 24" x 25-1/2" x 4-1/2"

### **Manually Operated Dough Divider (Bench Model)**

**Note:** Must be mounted to a Bench, Table or optional **Portable Stand (P/N B4-436-0072)**

**Mounting bolt hole pattern (on center):** 16-7/8" x 12-1/2"

**Standard:** White Powder Coated Finish & (1) Stainless Steel Pan (P/N B4-149-0001)

**Options:** **Portable Stand** w/toe-lock casters & shelf (P/N B4-436-0072) (mounting hardware incl.)

**Extra Stainless Steel Pans (P/N B4-149-0001).**

**IH-36** (36-part head when purchased separately).

**IH-18** (18-part head when purchased separately).

**IH-9** (9-part head when purchased separately).

Access owners manual and instructional videos on the Dutchess web site [www.dutchessbakers.com](http://www.dutchessbakers.com)

Dutchess Bakers' Machinery Company Inc., 302 Grand Avenue, Superior, WI 54880-0039

Toll Free: 800-777-4498 ~ Ph: 715-394-4444 ~ Fax: 715-394-2406  
sales@dutchessbakers.com ~ [www.dutchessbakers.com](http://www.dutchessbakers.com)