

**T&S BRASS AND BRONZE WORKS, INC.**  
 2 SADDLEBACK COVE / P.O. BOX 1088 / TRAVELERS REST, SC 29690  
 PHONE 800-476-4103 - FAX 864- 834-3518

Sales No.

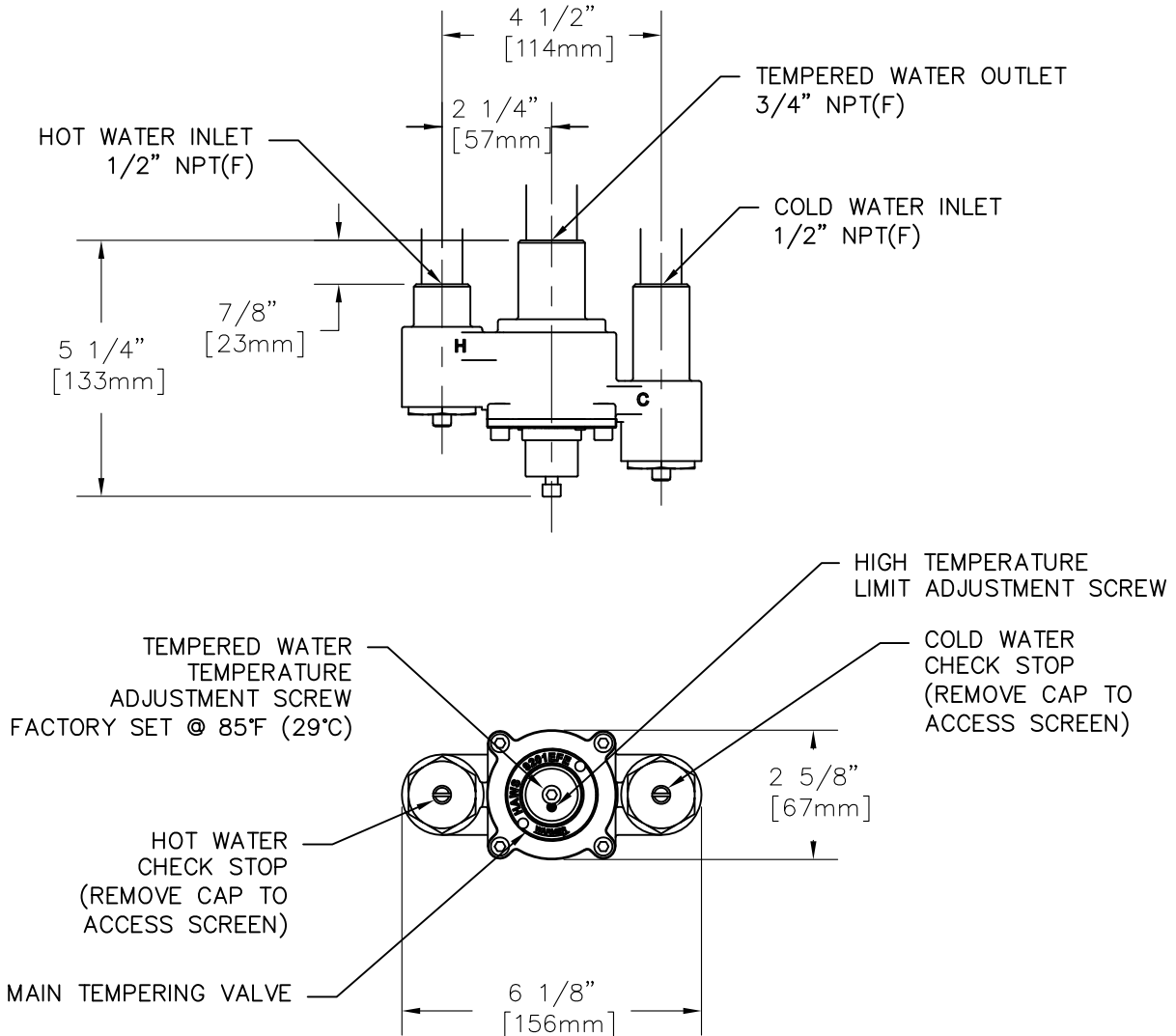
EW-9201EF

**RELIABILITY  
 BUILT IN**

Job Name:

Architect/Engineer Approval:

Notes:



**NOTES:**

1. THERMOSTATIC MIXING VALVE TO SUPPLY TEMPERED WATER FROM 1 TO 12 GPM.
2. INLETS 1/2" NPT, OUTLET 3/4" NPT.

Product Description:

THERMOSTATIC MIXING VALVE

Drawn:

DMH

Checked

KJG

Scale:

1:4

Approved

JHB

Date:

11/21/12