



OUTDOOR EQUIPMENT

SERVING THE FOOD INDUSTRY SINCE 1951

WALL MOUNTED PATIO HEATER

Item: 31432

Model: PH-CN-1500



**PERFECT SOLUTION TO
STAY WARM ON COLD
WINTER DAYS**



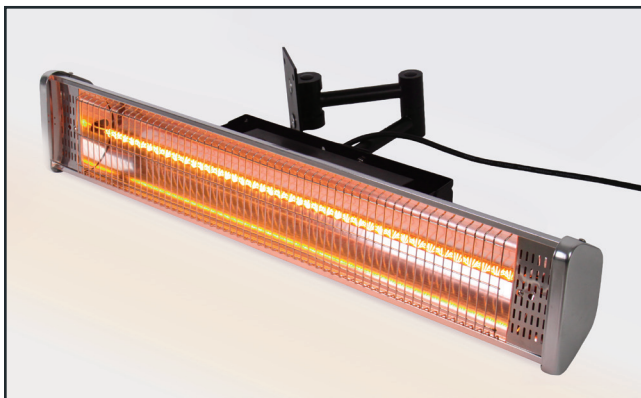
**LIMITED
WARRANTY**
PARTS AND LABOR



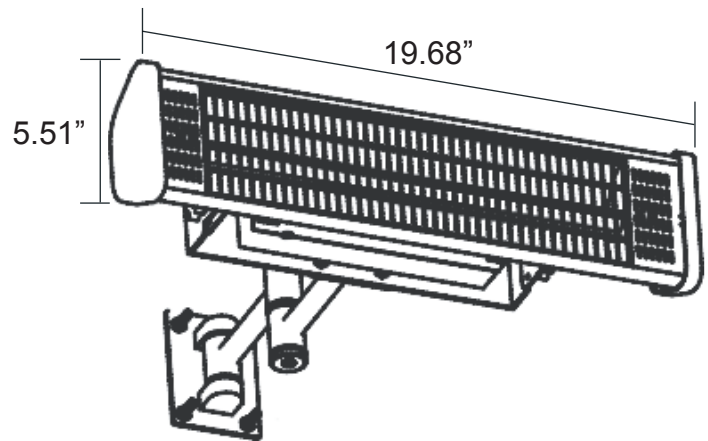
Authorized Dealer

OUTDOOR EQUIPMENT

WALL MOUNTED PATIO HEATER



Only use the halogen heater on a firm solid vertical wall where the Mounting Bar is in contact with the wall.



- Stylish and high quality design
- Aluminum die-casting
- Clean, odorless, instant heat, safe and convenient
- Can be used both indoor and outdoor
- Power cord reaches up to 6.5 feet
- Includes remote control
- Reflector and bracket is adjustable between 30-45 degree from a horizontal position

TECHNICAL SPECIFICATION

ITEM NUMBER	31432
MODEL	PH-CN-1500
DESCRIPTION	Patio Heater - Single Lamp
POWER	1.5 kW
ELECTRICAL	120V/ 60Hz/ 1
AMPS	12.5 A
DIMENSIONS	19.68" x 3.14" x 5.51" / 500 x 80 x 140 mm
WEIGHT	6.6 lbs./ 3 kg

NEMA
5 - 15
125 VAC / 15 AMP



OMCAN INC.

Telephone: 1-800-465-0234
 Fax: (905) 607-0234
 Email: sales@omcan.com
 Website: www.omcan.com



Follow us to keep up to date with the latest news and offers



2015.E.O.E