



Project \_\_\_\_\_

Item # \_\_\_\_\_

Quantity \_\_\_\_\_

# Flav-R-Savor® Convected Air, Curved Front Display Cases

Models: FSCD-2PD, FSCDH-2PD

Hatco's Flav-R-Savor® Convected Air Curved Display Case gives you all the features you desire. Its sleek design, curved glass front and lighting showcases food from all angles while using adjustable convected hot air to hold your products at peak serving temperature, 140° - 200°F (60° - 93°C). For more flexibility, consider the FSCDH-2PD model, which adds humidified air to help hold food longer without sacrificing product moisture quality. Wrapped or unwrapped, on platters or in hotel pans, the FSCH-2PD or FSCDH-2PD showcases your products perfectly.

## Standard features

- Easy to read, digitally-controlled temperature and humidity (FSCDH-2PD model only) readouts for precise control
- Rear French doors for easy access
- Bottom shelf is a removeable Simulated Stone base in standard Night Sky and can hold two full-sized food pans
- The top shelf is a perforated stainless steel shelf (optional glass shelf available) and can hold one full size food pan plus a 1/3-sized food pan
- Hinged, tempered front glass panel tilts forward for easy cleaning
- Our integrated sign holder is there to help promote your product offerings (33.25"W x 6.125"H [845 W x 156 mm]) (sign not included). Recommended sign dimension: 33.125"W x 6"H (841 W x 152 H mm)
- Comes standard with: tempered glass side panels, front sign holder, leg skirt, french-style glass rear doors and curved front glass panel with retaining clips. The unit comes standard in Designer Black ✓
- Models with Simulated Stone are Swanstone®

## WATER QUALITY REQUIREMENTS

Water supply in excess of 3.0 grains of hardness per gallon (GPG) (.75 grains of hardness per liter) must be treated and softened before being used. Water containing over 3.0 GPG (.75 GPL) will decrease the efficiency and reduce the operating life of the unit.

**Note: Product failure caused by liming or sediment buildup is not covered under warranty.**



✓ IFS anti-microbial coatings use naturally-occurring, environmentally sustainable, silver ions to help inhibit the growth of microbes on the powder coated surface. See [www.hatcocorp.com/antimicrobial-paint](http://www.hatcocorp.com/antimicrobial-paint) for more information.



For operation, location and safety information, please refer to the Installation and Operating Manual.



FSCDH-2PD in standard Designer Black with sign holder (sign not included), 3-sided skirt, perforated upper shelf, and Night Sky Simulated Stone base



FSCD-2PD in standard Designer Black, sign holder, Simulated Stone Night Sky base and optional glass center shelf

## Options (available at time of purchase only)

### Designer Colors✓

- Non-standard colors are non-returnable – Black standard –
- Warm Red
  - Gray Granite
  - White Granite
  - Navy Blue
  - Hunter Green
  - Antique Copper

### Simulated Stone Colors for inside bottom shelf

- Non-standard colors are non-returnable – Night Sky standard –
- Gray Granite
  - Bermuda Sand

- Valve Relocation (Humidified model only) (allows draining from back of unit instead of directly under unit) –
- Glass Center Shelf in lieu of perforated metal shelf



HATCO CORPORATION | P.O. Box 340500 Milwaukee, WI 53234-0500 U.S.A. | (800) 558-0607 | (414) 671-6350



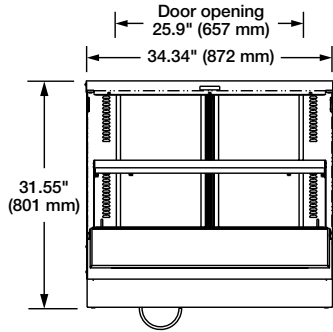
[www.hatcocorp.com](http://www.hatcocorp.com) | [support@hatcocorp.com](mailto:support@hatcocorp.com) | [Find a Hatco Rep](#) | [Image Library](#) | [Document Library](#) | [Patents](#) | [Chat](#)



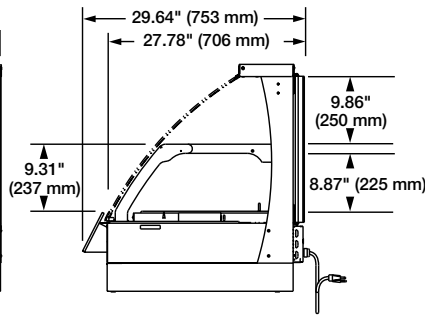
# Flav-R-Savor® Convected Air, Curved Front Display Cases

Models: FSCD-2PD, FSCDH-2PD

## FSCD

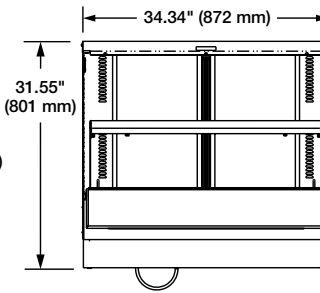


FRONT VIEW

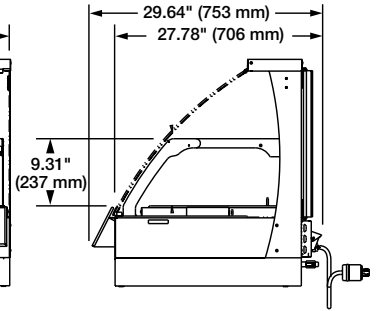


SIDE VIEW

## FSCDH



FRONT VIEW



SIDE VIEW

### Convected Air, Curved Front Display Case – Non-Humidified

Model	Dimensions (W x D x H)	Useable Heated Shelf Space (W x D)	Volts Single Phase	Watts	Amps	Plug	Ship Weight*
FSCD-2PD	34.34" x 29.64" x 31.55" (872 x 753 x 801 mm)	Upper: 29.92" x 15.5" (765 x 393 mm) Lower: 32.12" x 18" (815 x 457 mm)	120	1800	15.0	NEMA 5-20P	205 lbs. (93 kg)

### Convected Air, Curved Front Display Case – Humidified

Model	Dimensions (W x D x H)	Useable Heated Shelf Space (W x D)	Volts Single Phase	Watts	Amps	Plug	Ship Weight*
FSCDH-2PD	34.34" x 29.64" x 31.55" (872 x 753 x 801 mm)	Upper: 29.92" x 15.5" (765 x 393 mm) Lower: 32.12" x 18" (815 x 457 mm)	120/208-240	2805	13.3	NEMA L14-20P	190 lbs. (86 kg)
			120/240				

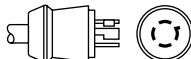
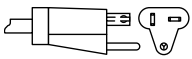
### CORD LOCATION

Control side at right base corner.

### PLUG CONFIGURATIONS

NEMA 5-20P

NEMA L14-20P



### PRODUCT SPECS

#### Flav-R-Savor® Convected, Curved Front Display Cases

The Convected Air, Curved Front Display Case Flav-R-Savor® Model ... as manufactured by the Hatco Corporation, Milwaukee, WI 53234 U.S.A.

The Display Case shall be rated at ... watts, ... volts and be ... inches (millimeters) in overall width. Thermostatically-controlled heat and humidity (FSCDH-2PD models only), digital with readout or display, overhead lights, tempered glass sides, front and

doors, rear French doors, hinged front glass panel that tilts forward for easy cleaning, perforated stainless steel upper shelf, Simulated Stone base shelf, three sided base skirt, sign holder (sign not included) and cord and plug.

Warranty consists of 24/7 parts and service assistance (US and Canada only).

HATCO CORPORATION | P.O. Box 340500 Milwaukee, WI 53234-0500 U.S.A. | (800) 558-0607 | (414) 671-6350



[www.hatcocorp.com](http://www.hatcocorp.com) | [support@hatcocorp.com](mailto:support@hatcocorp.com) | [Find a Hatco Rep](#) | [Image Library](#) | [Document Library](#) | [Patents](#) | [Chat](#)