

PREMIUM WORKTABLE WITH 1-1/2" BACKSPLASH

14GA

WORKTABLES - 1-1/2" SPLASH

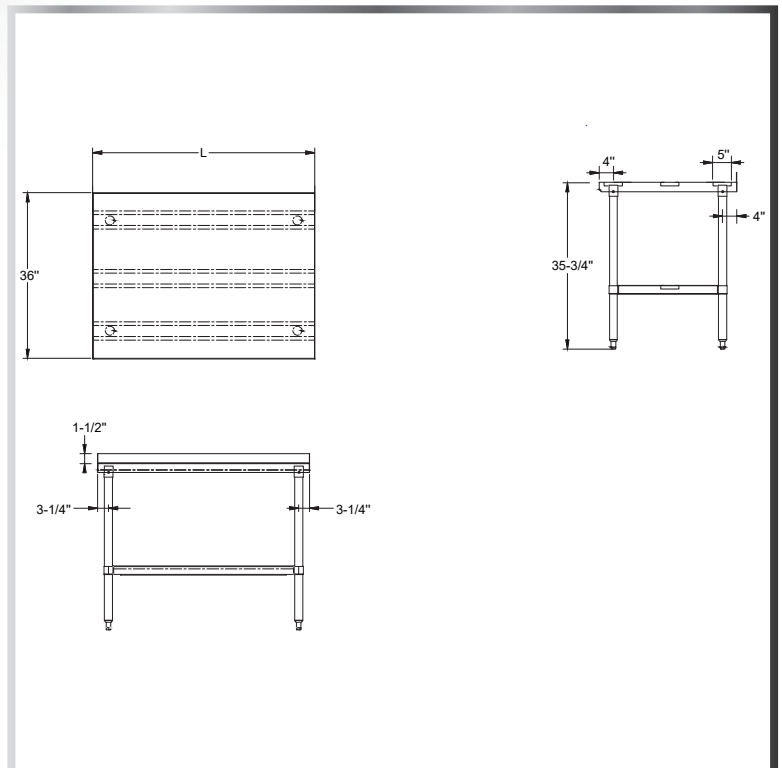


MATERIALS

- 14 Gauge 300 Series Stainless Steel Top
- 18 Gauge 300 Series Stainless Steel Lower Shelf With Aluminum Corners
- Stainless Steel Legs and Bullet Feet

FEATURES

- Straight Turndown Edges
- Adjustable Lower Shelf and Bullet Feet
- Available As Cross-Braced Worktable (X)
- Available With Casters (Page 120)



MODEL NUMBER	LENGTH	WIDTH
TS4-4836R	48"	36"
TS4-6036R	60"	36"
TS4-7236R	72"	36"
TS4-4836R-X	48"	36"
TS4-6036R-X	60"	36"
TS4-7236R-X	72"	36"