

# SALVAJOR Model ARSS-2

Pre-Wired Automatic Reversing Control Panel  
for Disposer Models: 100 - 200 - 300 - 500

**Automatic**  
**Reversing**  
**Start**  
**Stop**

## SPECIFICATIONS

- NEMA 4 Stainless Steel Watertight Enclosure
- 24 Volt Safety Circuitry
- Automatic Reversing Magnetic Contactors
- Terminal Strip Connections
- START/STOP Push Buttons

### VOLTAGES AVAILABLE

#### 1-PHASE

115 VOLT, 208-230 VOLT

#### 3-PHASE

208-230 VOLT, 460 VOLT

◆ SPECIFY EXACT OPERATING VOLTAGE ◆

### ACCESSORIES AVAILABLE

- #P - MOUNTED 1/2" SOLENOID VALVE AND FLOW CONTROL
- #PP - MOUNTED 1/2" SOLENOID VALVE, FLOW CONTROL AND PRESSURE SWITCH
- #980105 - MOUNTING BRACKET
- #980104 - REMOTE MOUNTING BRACKET
- #RSS - REMOTE START/STOP

(Specifications subject to change without notice)  
Current specification details may be found online  
at [www.salvajor.com](http://www.salvajor.com)



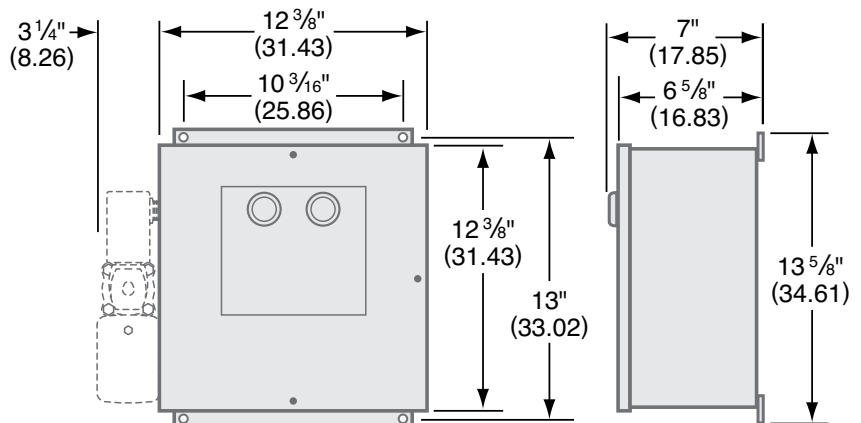
**AUTOMATIC**  **REVERSING**



### MODEL ARSS-2 DISPOSER CONTROL

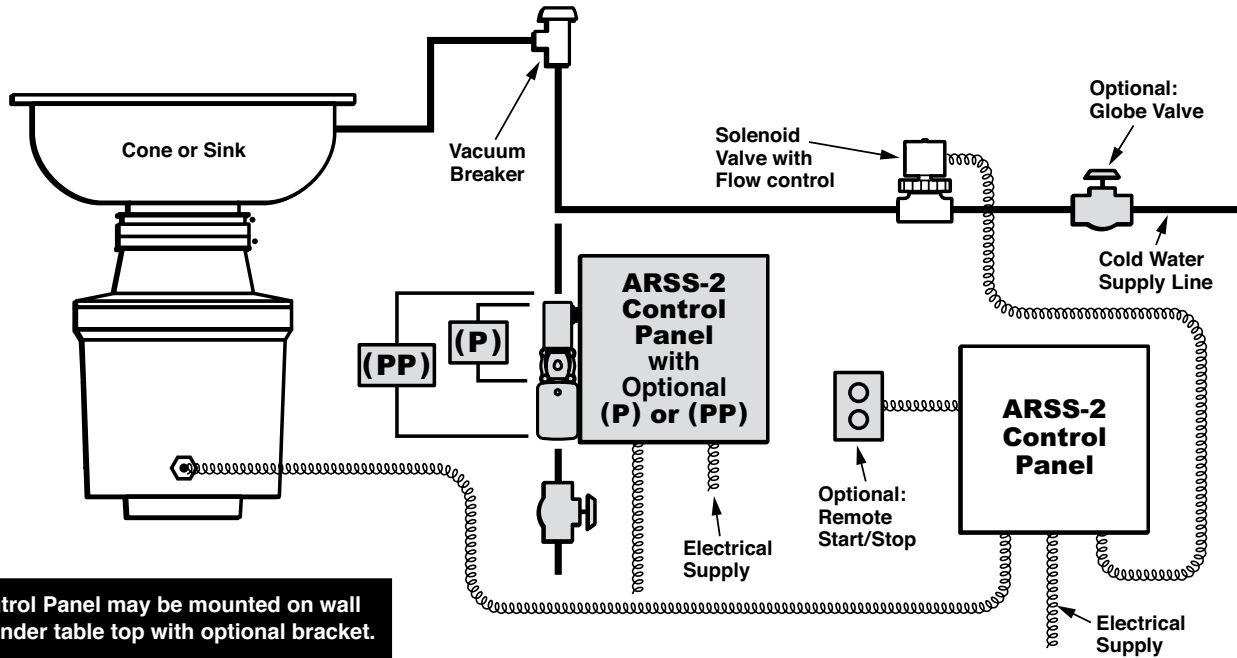
for use with  
Salvajor Models:  
100 - 200 - 300 - 500

WEIGHT: 25 LBS.



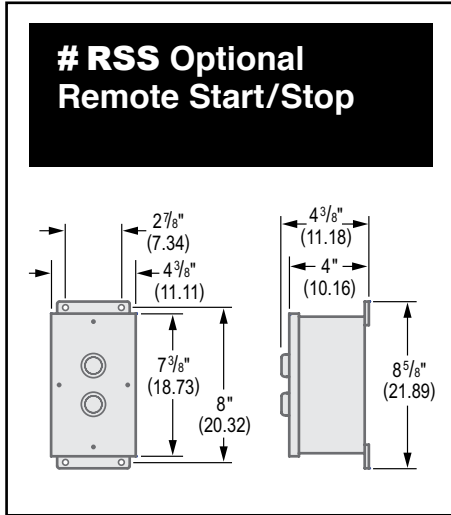
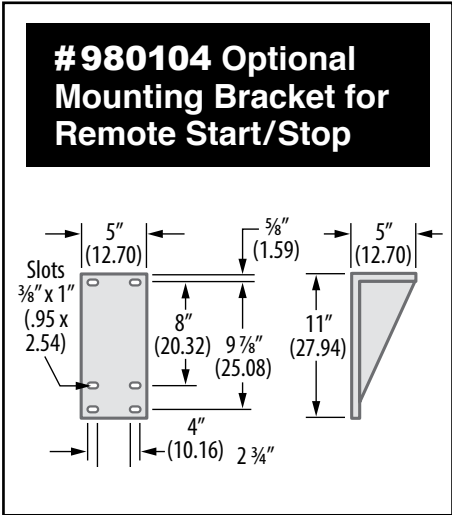
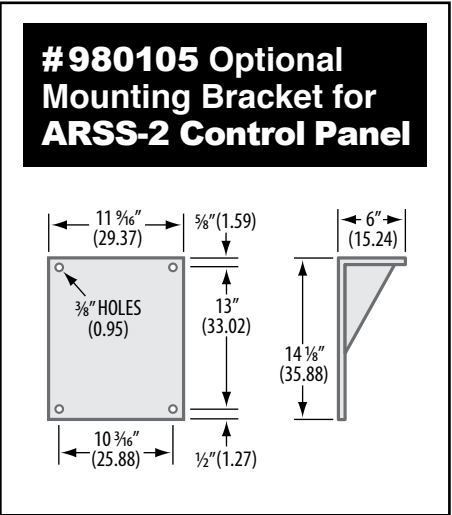
NOTE: Dimensions in parenthesis are in centimeters

# Typical Installation Diagram of Model ARSS-2 Control Panel with Disposer



Control Panel may be mounted on wall or under table top with optional bracket.  
Motor has overload protection.

NOTE: INSTALL PER ALL APPLICABLE CODES



NOTE: Dimensions in parenthesis are in centimeters

Item Numbers for Ordering			
CONTROL MODEL	VOLTAGE	PHASE	ITEM NO.
<b>ARSS-2</b> OR <b>ARSS-2-P</b> OR <b>ARSS-2-PP</b>	<b>115</b>	<b>1</b>	<b>ARSS24</b>
	<b>208 or 230</b>	<b>1</b>	<b>ARSS25</b>
	<b>208 or 230</b>	<b>3</b>	<b>ARSS27</b>
	<b>460</b>	<b>3</b>	<b>ARSS29</b>

◆ SPECIFY EXACT OPERATING VOLTAGE ◆

# SALVAJOR®

Manufacturers of Commercial Food Waste Solutions - Since 1944

4530 East 75th Terrace Kansas City, MO 64132-2081, USA  
816.363.1030 | Toll Free: 1.800.725.8256 | Service: 1.888.725.8256 | Fax: 1.800.832.9373  
sales@salvajor.com | service@salvajor.com | www.salvajor.com

Printed in USA  
Form No. ARSS2 (05-18)