

Expanding Stem Casters

1-5/8" Stem Work Table Caster with Gray Rubber Wheel

Certifications:

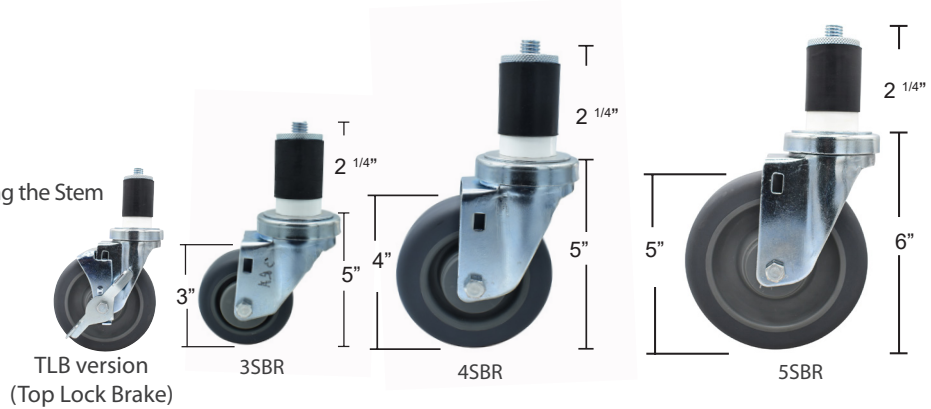


Features:

- Fits Standard 1-5/8" Tubing by Expanding the Stem Creating a Secure Fit
- Double Ball Bearing Raceway for Long Wear and Added Strength
- With or Without Top Lock Brake
- Raceway Dust Cover

Material:

- Resistant to Oil, Grease, Water and Most Solvents
- Temperature Range -45° to 180°F
- Nylon Bearing Sleeve
- Gray Rubber Wheel



Part Number	Brake	Wheel Size	Capacity
3SBR-RA-GR	-	3"	250 LBS
3SBR-RA-GR-TLB	TLB	3"	250 LBS
4SBR-RA-GR	-	4"	250 LBS
4SBR-RA-GR-TLB	TLB	4"	250 LBS
5SBR-RA-GR	-	5"	250 LBS
5SBR-RA-GR-TLB	TLB	5"	250 LBS