

## COUNTER MODEL STAINLESS STEEL STANDS



**Model STAND/C-48**

### BASIC MODELS

- STAND/C
- STAND/C-VCCB
- STAND/F
- STAND/F-VCCB

### STANDARD FEATURES

- Stainless steel construction.
- Welded and smooth blended edges.
- ½" wide marine edges
- STAND/C models have 5" casters with 2 or 3 locking brakes
- STAND/F models have adjustable height flange feet that allow for floor mounting.
- All models have an undershelf
- Will accommodate any arrangement of Vulcan counter top equipment.
- One year limited parts and labor warranty.



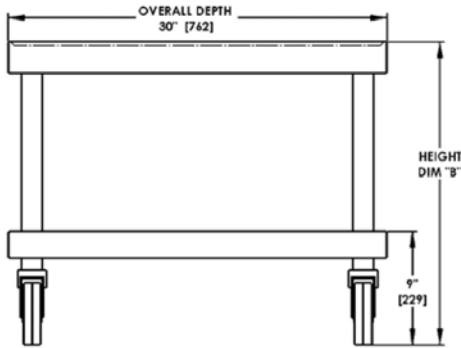
**Model STAND/F-48**

### OPTIONS

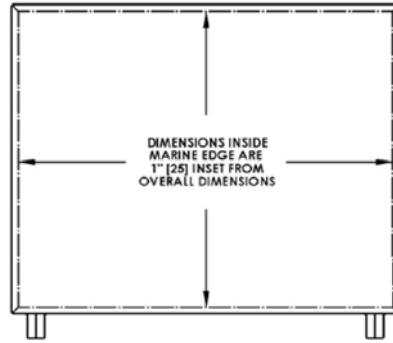
- Product variations available. See your sales representative for product variance requests.



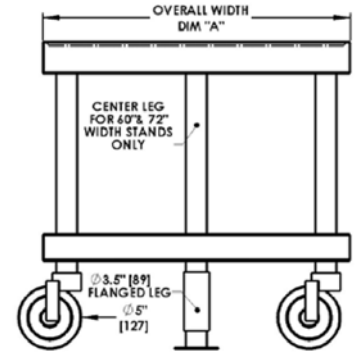
# COUNTER MODEL STAINLESS STEEL STANDS



**SIDE VIEW**



**TOP VIEW**



**FRONT VIEW**

PRODUCT FAMILY	ACCESSORY CODE CASTERS	ACCESSORY CODE FLANGED LEGS	DIM "A"	DIM "B"	RESULTING COOKING HEIGHT
900RX	STAND/C-12	STAND/F-12	12"[305]	24"[610]	36"[914]
900RE	STAND/C-24	STAND/F-24	26"[660]		
MSA	STAND/C-36	STAND/F-36	37"[940]		
VACB	STAND/C-48	STAND/F-48	49"[1245]		
VHP	STAND/C-60	STAND/F-60	61"[1550]		
	STAND/C-72	STAND/F-72	73"[1854]		
VCCB	STAND/C-VCCB25	STAND/F-VCCB25	26"[660]	23"[584]	36"[914]
	STAND/C-VCCB36	STAND/F-VCCB36	37"[940]		
	STAND/C-VCCB47	STAND/F-VCCB47	49"[1245]		
	STAND/C-VCCB60	STAND/F-VCCB60	61"[1550]		
	STAND/C-VCCB72	STAND/F-VCCB72	73"[1854]		

**NOTE:** In line with its policy to continually improve its products, Vulcan-Hart Company reserves the right to change materials and specifications without notice.