



# ATLAS METAL

1135 N.W. 159th DRIVE, MIAMI, FLORIDA 33169

TEL 305.625.2451

TOLL FREE 800.762.7565

FAX 305.623.0475

WWW.ATLASFOODSERV.COM

SALES@ATLASFOODSERV.COM

Project: \_\_\_\_\_

Item No.: \_\_\_\_\_

Quantity: \_\_\_\_\_

## SELF LEVELING DISPENSERS



PDOH-9-7/8

# OVAL PLATE DISPENSER

PDO - Standard

PDOS - Shielded

PDOH - Heated

PDO

PDOS

PDOH

### SPECIFICATIONS

The basic unit shall be constructed of 300 series stainless steel. The dispensers shall be a drop-in, self-leveling design.

The counter top flange has four, high impact, plastic guide posts to align plates. The unit is self supporting, with vertical side panels and a bottom and top flange all welded to form the dispenser body. The stainless steel dispenser head will be suspended from the extension springs to support the stack of plates to be dispensed.

**PDOS:** Basic construction with an additional outer stainless steel shield which covers the spring mechanism and vertical channel guides.

**PDOH:** Basic construction with the addition of a base mounted heating element, thermally protected fan motor, perforated dispenser head for heat circulation, side mounted thermostat, flange mounted pilot light and on-off switch. A 6' 16-3 cord set, NEMA 5-15P shall be provided.

**Self Leveling:** The spring mechanism is easy to adjust. A combination of extension springs will be provided for field adjusting to the required dispensing height.

### STANDARD FEATURES

- Field Adjustable for different weights
- All stainless steel construction
- High impact plastic guide posts to align plates
- Thermally protected fan motor for heat circulation
- NOTE: Sample of platter or tracing for irregularly shaped dish must be supplied for fabrication.

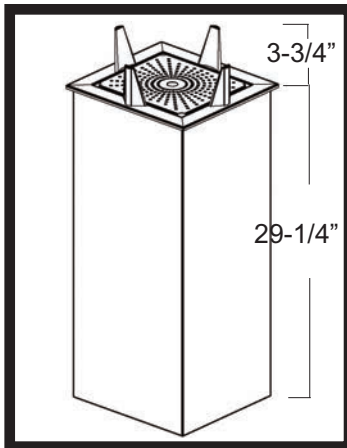
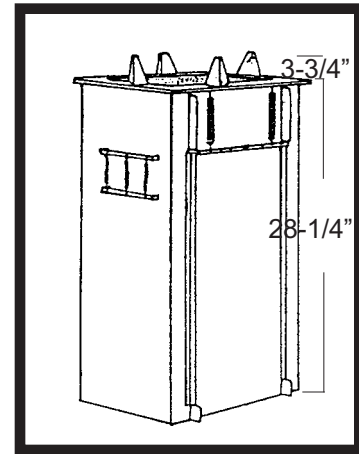
### ACCESSORIES

- Modify tube depth
- 220/240 volt operation (specify)
- Stainless steel trays to convert **PD-12** to cup dispenser
- Stainless steel pre-heat tube covers

*Specifications subject to change without notice.*

### UNHEATED OVAL DROP-IN PLATE DISPENSER

MODEL	MAXIMUM DISH SIZE	OUTSIDE FLANGE OVERALL	COUNTER CUT-OUT	SHIP WT. (lbs.)
PDO-8-1/2	8-1/2" X 6-5/8" (21.5 X 16.8cm)	12" X 10-1/8" (30.4 X 25.7cm)	11-3/16" X 9-5/16" (28.3 X 23.6cm)	25 (11.3kg)
PDO-9-7/8	9-7/8" X 7-1/4" (25 X 18.4cm)	13-3/8" X 10-3/4" (33.9 X 27.3cm)	12-9/16" X 9-15/16" (31.9 X 25.2cm)	27 (12.2kg)
PDO-10-1/2	10-1/2" X 8-3/8" (26.6 X 21.2cm)	14" X 11-7/8" (35.5 X 30.1cm)	13-3/16" X 11-1/16" (33.4 X 28cm)	29 (13.1kg)
PDO-11-3/4	11-3/4" X 8-3/4" (29.8 X 22.2cm)	15-1/4" X 12-1/4" (38.7 X 31.1cm)	14-7/16" X 11-7/16" (36.6 X 29cm)	31 (14kg)
PDO-12-5/8	12-5/8" X 9-1/2" (32 X 24.1cm)	16-1/8" X 13" (40.9 X 33cm)	15-5/16" X 12-13/16" (38.8 X 32.5cm)	35 (15.8kg)
PDO-13-3/4	13-3/4" X 9-1/4" (34.9 X 23.4cm)	17-1/4" X 12-3/4" (13.8 X 32.3cm)	16-7/16" X 11-15/16" (41.7 X 30.3cm)	39 (17.6kg)
PDO-14	14" X 9-7/8" (35.5 X 25cm)	17-1/2" X 13-3/8" (44.4 X 33.9cm)	16-11/16" X 12-9/16" (42.3 X 31.9cm)	43 (19.5kg)
PDO-15	15" X 11" (38.1 X 27.9cm)	18-1/2" X 14-1/2" (46.9 X 36.8cm)	17-11/16" X 13-11/16" (44.9 X 34.7cm)	45 (20.4kg)



### SHIELDED OVAL DROP-IN PLATE DISPENSER

MODEL	MAXIMUM DISH SIZE	OUTSIDE FLANGE OVERALL	COUNTER CUT-OUT	SHIP WT. (lbs.)
PDOS-8-1/2	8-1/2" X 6-5/8" (21.5 X 16.8cm)	12" X 10-1/8" (30.4 X 25.7cm)	11-3/16" X 9-5/16" (28.3 X 23.6cm)	30 (13.6kg)
PDOS-9-7/8	9-7/8" X 7-1/4" (25 X 18.4cm)	13-3/8" X 10-3/4" (33.9 X 27.3cm)	12-9/16" X 9-15/16" (31.9 X 25.2cm)	32 (14.5kg)
PDOS-10-1/2	10-1/2" X 8-3/8" (26.6 X 21.2cm)	14" X 11-7/8" (35.5 X 30.1cm)	13-3/16" X 11-1/16" (33.4 X 28cm)	36 (16.3kg)
PDOS-11-3/4	11-3/4" X 8-3/4" (29.8 X 22.2cm)	15-1/4" X 12-1/4" (38.7 X 31.1cm)	14-7/16" X 11-7/16" (36.6 X 29cm)	38 (17.2kg)
PDOS-12-5/8	12-5/8" X 9-1/2" (32 X 24.1cm)	16-1/8" X 13" (40.9 X 33cm)	15-5/16" X 12-13/16" (38.8 X 32.5cm)	40 (18.1kg)
PDOS-13-3/4	13-3/4" X 9-1/4" (34.9 X 23.4cm)	17-1/4" X 12-3/4" (13.8 X 32.3cm)	16-7/16" X 11-15/16" (41.7 X 30.3cm)	43 (19.5kg)
PDOS-14	14" X 9-7/8" (35.5 X 25cm)	17-1/2" X 13-3/8" (44.4 X 33.9cm)	16-11/16" X 12-9/16" (42.3 X 31.9cm)	46 (20.8kg)
PDOS-15	15" X 11" (38.1 X 27.9cm)	18-1/2" X 14-1/2" (46.9 X 36.8cm)	17-11/16" X 13-11/16" (44.9 X 34.7cm)	49 (22.2kg)

### HEATED OVAL DROP-IN PLATE DISPENSER

MODEL	MAXIMUM DISH SIZE	OUTSIDE FLANGE OVERALL	COUNTER CUT-OUT	AMPS	WATTS	SHIP WT. (lbs.)
PDOH-8-1/2	8-1/2" X 6-5/8" (21.5 X 16.8cm)	12" X 10-1/8" (30.4 X 25.7cm)	11-3/16" X 9-5/16" (28.3 X 23.6cm)	4.5	535	35 (15.8kg)
PDOH-9-7/8	9-7/8" X 7-1/4" (25 X 18.4cm)	13-3/8" X 10-3/4" (33.9 X 27.3cm)	12-9/16" X 9-15/16" (31.9 X 25.2cm)	4.5	535	37 (16.7kg)
PDOH-10-1/2	10-1/2" X 8-3/8" (26.6 X 21.2cm)	14" X 11-7/8" (35.5 X 30.1cm)	13-3/16" X 11-1/16" (33.4 X 28cm)	4.5	535	39 (17.6kg)
PDOH-11-3/4	11-3/4" X 8-3/4" (29.8 X 22.2cm)	15-1/4" X 12-1/4" (38.7 X 31.1cm)	14-7/16" X 11-7/16" (36.6 X 29cm)	4.5	535	41 (18.5kg)
PDOH-12-5/8	12-5/8" X 9-1/2" (32 X 24.1cm)	16-1/8" X 13" (40.9 X 33cm)	15-5/16" X 12-13/16" (38.8 X 32.5cm)	4.5	535	43 (19.5kg)
PDOH-13-3/4	13-3/4" X 9-1/4" (34.9 X 23.4cm)	17-1/4" X 12-3/4" (13.8 X 32.3cm)	16-7/16" X 11-15/16" (41.7 X 30.3cm)	4.5	535	47 (21.3kg)
PDOH-14	14" X 9-7/8" (35.5 X 25cm)	17-1/2" X 13-3/8" (44.4 X 33.9cm)	16-11/16" X 12-9/16" (42.3 X 31.9cm)	4.5	535	51 (23.1kg)
PDOH-15	15" X 11" (38.1 X 27.9cm)	18-1/2" X 14-1/2" (46.9 X 36.8cm)	17-11/16" X 13-11/16" (44.9 X 34.7cm)	4.5	535	55 (24.9kg)

