

STERILIZER STAND

JOB NAME: _____

ITEM NO.: _____

NO. REQUIRED: _____

MODELS

95-6060

SIZE

28.13" High x 24.90" Wide x 18.60" Deep
(715mm high x 632mm wide x 472mm deep)

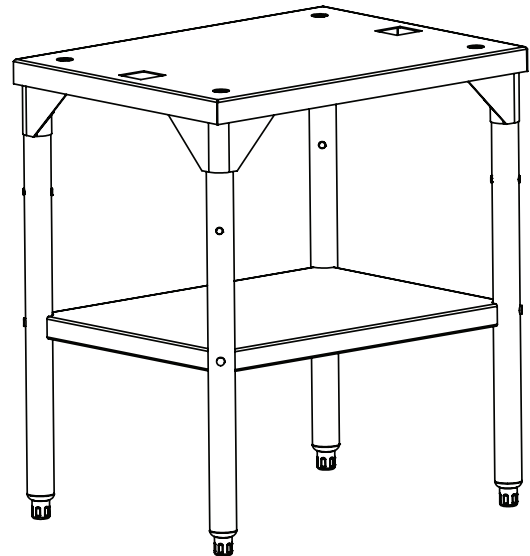
DESCRIPTION

Stand is constructed of stainless steel. Stand is equipped with one shelf and four (4) adjustable bullet feet.

CHARACTERISTICS	95-6060
Width	24.90" (632mm)
Depth	18.60" (472mm)
Height	28.13" (715mm)

OVERALL HEIGHT*	
Analog Sterilizers	55.38" (1407mm)
Digital Sterilizers	56.38" (1432mm)

*Height of sterilizer on stand.

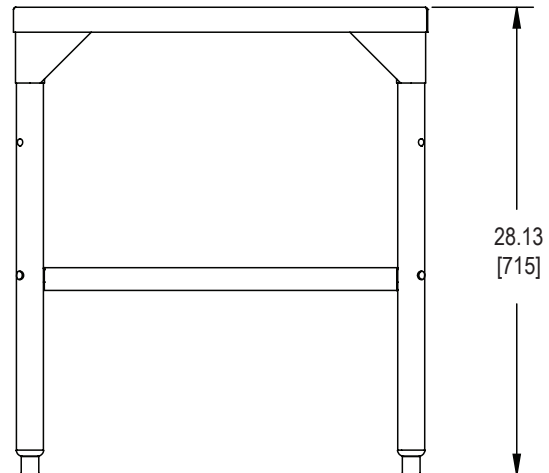
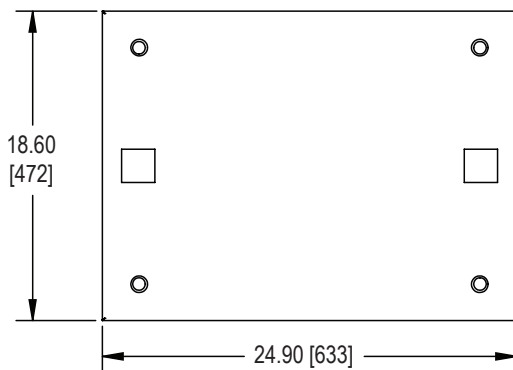


OPTIONS & ACCESSORIES

(at additional charge)

Extra Shelf 95-6054

FOOD SERVICE EQUIPMENT
Sterilizer Stand



The manufacturer reserves the right to modify materials and specifications without notice.