

JOBNAME:

QUANTITY:

ITEM NO.:

PRODUCT NAME:

BACK-FLOW PREVENTOR

_____ SPECIAL CONFIGURATION
(CHECK BASE MODEL AND OPTIONS)

MODEL:

2542

OPTIONS OR MODIFICATIONS:

OTHER _____

FEATURES:

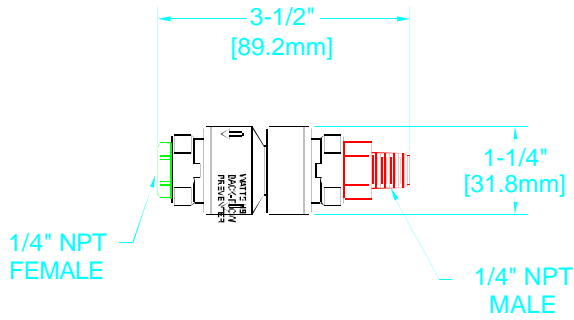
- * ATMOSPHERIC VENT
- * FOR IN-LINE CONTINUOUS PRESSURE APPLICATIONS
- * FOR EXPOSED SERVICEABLE INSTALLATIONS
- * DOUBLE CHECK DESIGN

SYSTEM LIMITS

- * TEMP: 40°F MIN. TO 140°F MAX.
- * PRESSURE 200 PSI MAX. STATIC

SHIPPING WEIGHT

- * 1.0 LBS



ANSI/A112.18.1M

FISHER MANUFACTURING COMPANY
 1900 SOUTH "O" STREET, TULARE, CALIFORNIA 93274
 MAILING ADDRESS: P.O. BOX 60, TULARE, CALIFORNIA 93275
 PHONE: (800) 421-6162 FAX: (800) 832-8238
 MADE IN U. S. A.