







ADMIRAL (44'')

Single Tank Rack Conveyor Dishwasher

-  233 Racks Per Hour | 20" x 20"
-  Optional VaporGuard Ventless System
-  Dual Integrated & Submerged Booster
-  CrossFire Wash System

STANDARD FEATURES

- CrossFire Wash System
- Color-coded curtains
- Tank heat: integrated booster
- Heat and energy saving transfer system
- Manifold clean-out brush
- S/S 304 stainless steel construction
- Automatic tank fill
- Low water protection
- Detergent connection provision
- Elevated top mounted control panel
- Door safety switches
- Standard frame drip proof motors
- Override switch for de-liming
- SureFire Start-Up & Check-Out Service
- Ventilation fan connection provision

- End caps/pipe plugs secured to prevent loss
- VFD controlled continuous drive conveyor

ADD-ONS

- VaporGuard System
- Tank heat:
- Electric
- Steam coil
- Pressure reduction valve and line strainer
- Vent cowl collar with adjustable damper controls
- Security package
- Rack limit switch
- Power Loader
- Power Unloader
- Plastic 20" x 20" racks (plate or silver)
- Two point connection

SPECIFIER STATEMENT

Specified unit will be an Insinger Admiral 44 Advanced single tank, rack conveyor dishwasher. Features include CrossFire wash system, S/S 304 stainless steel construction, automatic tank fill, low water protection, elevated top mounted control panel, SureFire Start-Up & Check-Out service, and a VFD controlled continuous drive conveyor.



SPECIFICATIONS

Capacity	Racks Per Hour	234
	Dishes Per Hour	5225
	Meals Per Hour	200-400
Heating & Venting	Tank Heat	18 kW
	Booster Heat	29.4 kW
	Venting (Load End)	350 CFM
	Venting (Unload End)	350 CFM
Water	Water Inlet Temperature	110°F
	Water Consumption (20 PSI)	.06 gal/rack
	Wash Tank Capacity	33.75 gal
	Peak Drain Flow	9.0 gal/min
Other	VG Consumption (20 PSI)	4.0 gal/min
	Drive Motor HP	1/15
	Wash Motor HP	2.0
	Shipping Weight	750

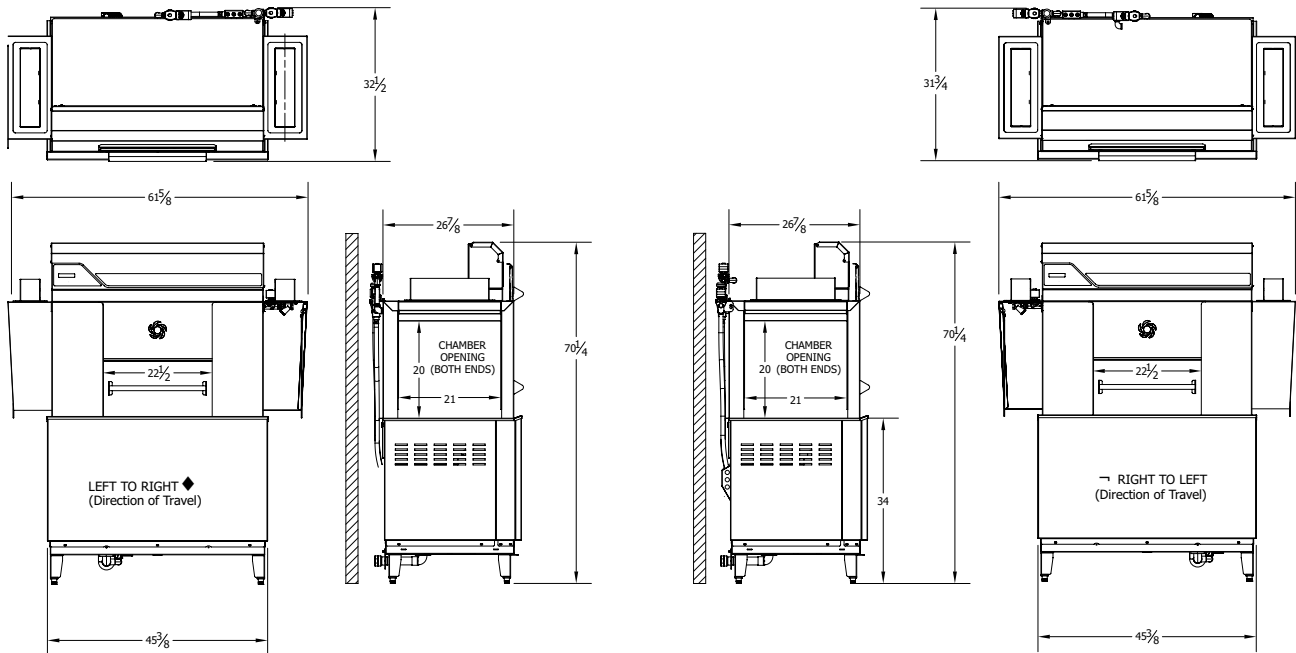
ELECTRICAL

		E1	E2
Electrical Options (Dual Point)	208/60/3	56.5 amps	81.6 amps
	240/60/3	49.8 amps	70.7 amps
	480/60/3	25.0 amps	35.4 amps

PROJECT BUILD FORM

Project Name			
Project Manager			
Voltage & Phase	208/60/3		<input type="checkbox"/>
	240/60/3		<input type="checkbox"/>
	480/60/3		<input type="checkbox"/>
Direction	Left to Right		<input type="checkbox"/>
	Right to Left		<input type="checkbox"/>
Approval (Please Check One)	Approved		<input type="checkbox"/>
	Approved as Noted		<input type="checkbox"/>
	Rejected		<input type="checkbox"/>
Signature	Date		
Internal Info	Serial Number		
	Configuration Code		

TECHNICAL DRAWINGS



Contact Ininger Sales at 800-344-4802 for an installation drawing specific to your application.
 Note: Due to product improvement we reserve the right to change information and specifications without notice.