



STAINLESS STEEL

TWO COMPARTMENT A.D.A. COMPLIANT WALL MOUNTED SCRUB SINK

Model # HSS-ADA-2

Shown with optional K-175 Hands-Free Electronic Faucets & HSS-2 Acrylic Divider

Item #: _____ Qty #: _____
 Model #: _____
 Project #: _____



Wrap-around covers mounts with access panel wall & conceals plumbing.



A.D.A. Compliant

FEATURES:

- Meets A.D.A. Compliance
- One Piece Construction
- Coved Corner Bowls with 3/4" Radius
- Stainless Steel Wall Mounted Plumbing Covers with Removable Access Panels
- Rear Center Drain Location
- Includes Two Wall Mount "Z" Brackets
- Includes Two K-6 Drains and Two K-410 Strainer Plates

CONSTRUCTION:

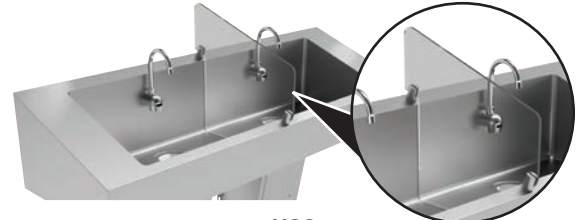
- All TIG welded
- Welded areas blended to match adjacent surfaces and polished to an upgraded, medical finish

MATERIAL:

- 16 Gauge, Type 304 Stainless Steel (14 Gauge Also Available)

Model #	O.A. Length	O.A. Width	Bowl Depth	Wt.	Cu. Ft.
HSS-ADA-2	60"	19"	11 3/8"	75 lbs.	19

RECOMMENDED FAUCETS & OPTIONS



HSS-2



K-175



K-187

Model #	Description
HSS-2	One Acrylic Compartment Sink Divider (Factory Install Only)
K-175	Hands Free Sensor Faucet, A/C or Battery Powered
K-187	Thermostatic Mixing Valve w/ Checks



Customer Service Available To Assist You 1-800-645-3166 8:30 am - 7:00 pm E.S.T.

For Orders & Customer Service:
 Email: customer@advancetabco.com or Fax: 631-242-6900

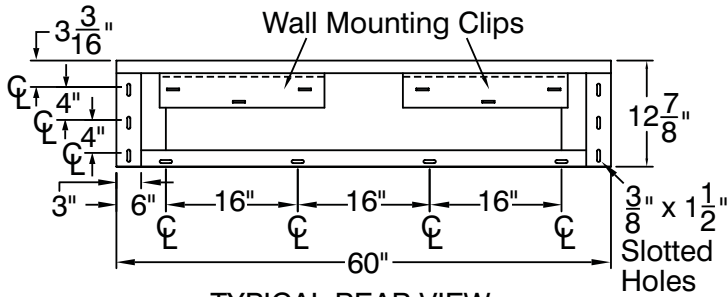
For Smart Fabrication™ Quotes:
 Email: smartfab@advancetabco.com or Fax: 631-586-2933

DIMENSIONS and SPECIFICATIONS

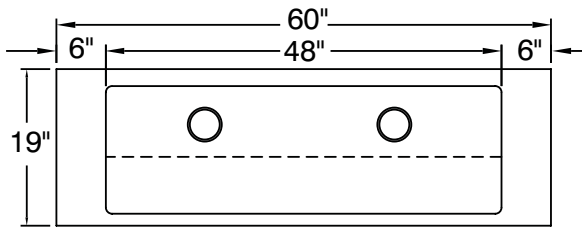
TOL Overall: $\pm .500''$

ALL DIMENSIONS ARE TYPICAL

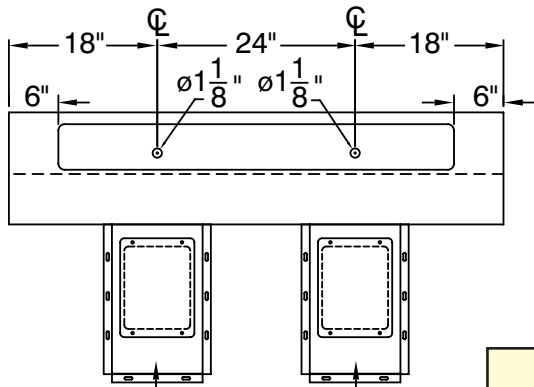
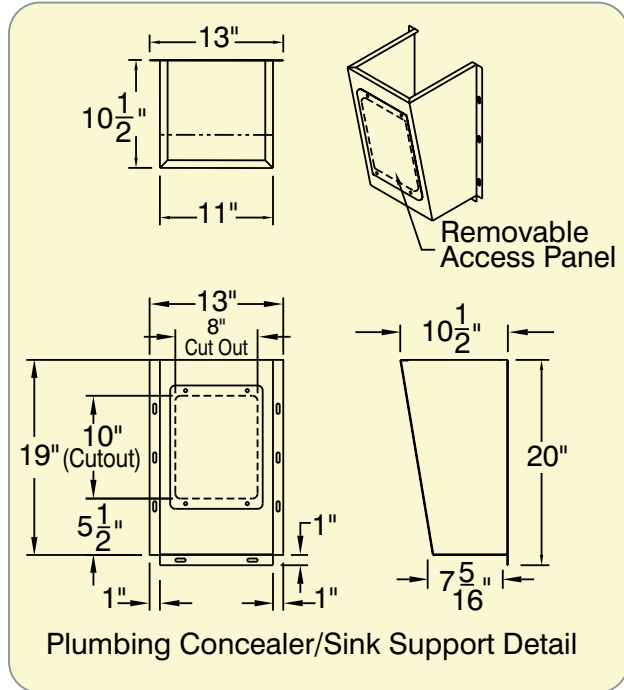
HSS-ADA-2



TYPICAL REAR VIEW

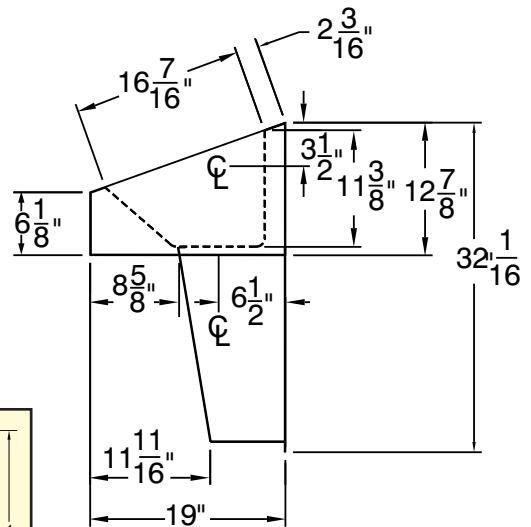


TYPICAL TOP VIEW

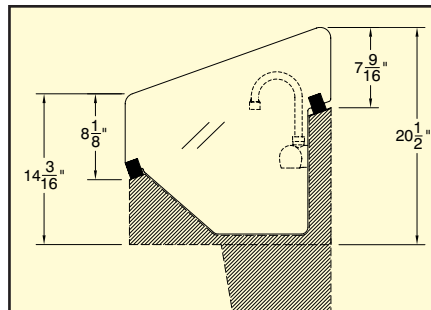


Plumbing Concealer/Sink Support Covers

TYPICAL FRONT VIEW



TYPICAL SIDE VIEW



HSS-2 Acrylic Divider Detail

75 lbs.

