



Project \_\_\_\_\_  
 AIA # \_\_\_\_\_ SIS # \_\_\_\_\_  
 Item # \_\_\_\_\_ Quantity \_\_\_\_\_ C.S.I. Section 114000

## R/A Series

Reach-In Heated Cabinet Model  
 32" Deep, W-Width



### STANDARD PRODUCT FEATURES

- R Series = Stainless Steel Exterior & Interior
- A Series = Stainless Steel Exterior/Anodized Aluminum Interior
- Traulsen's Smart Control™ with LED Display
- Ducted Fan Air Distribution System
- Standard Operating Temperature Range 140-180°F
- ON/OFF Switch Located on Control Face
- Full or Half-Height Stainless Steel Door(s) with Lock(s)
- Self-Closing Door(s) with Stay Open Feature at 120 Degrees
- Standard Door Hinging: 232W = Left/Right (other hings available)
- Automatically Activated LED Lights
- Stainless Steel Breaker Caps
- Three Adjustable, Coated Wire Shelves Per Section, Supported on Pilasters
- Magnetic Snap-In EZ-Clean™ Door Gasket(s)
- Gasket-Protecting Door Liner
- Stainless Steel One-Piece Louver Assembly
- 9' Cord & Plug Attached
- Set of (4) 6" High Adjustable Stainless Steel Legs

### ACCESSORIES & OPTIONS

- SmartConnect™ Monitoring App with Wi-Fi Connectivity
- Stainless Steel Finished Back with Rear Louvers
- Accommodates EZ-Clean™ Tray Racks
- #1 Type Trayslides Accommodate (1) 18" x 26" or (2) 14" x 18" Sheet Pans
- #4 Type Trayslides Accommodate 18 to 19 Levels for 18" x 26" Pans
- Universal Type Trayslides Accommodate (1) 18"x26", (2) 14"x18", or (2) 12"x20" Pans
- Additional Coated Wire or Optional Stainless Steel Shelves
- Stainless Steel Banking Strip
- EZ-Open™ Foot Pedal (full-height doors only)
- Locking Hasps (padlock supplied by others)
- Rehinging Feature for Doors
- 208-230/115/60/1 or Optional 208-230/60/1 Voltage
- Export 220-240/50/1
- Kool Klad Exterior Laminate Decor (consult factory)
- Set of (4) 4 1/8" or 6" High Casters in Lieu of Legs
- 6" Stainless Steel Flanged Legs
- Supports: 4 1/2" High Base in Lieu of Legs or 6" High Kickplate (standard legs)
- Clear Glass Door(s) in Place of One or More Solid Door(s)
- Heat Shield
- Fluorescent Lights, (3) for Use with Glass Door Models
- Optional Door Hinging
- Consult Factory for Prison/Correctional Facility Options



Intertek Intertek

Models listed to the applicable UL, CSA and NSF standards by an approved NRTL. Consult the factory or unit data plate for additional information.

### AVAILABLE CONFIGURATIONS

#### R Series Models

RHF232W-FHS  
 RHF232W-HHS

#### Door(s)

Full Height Solid  
 Half Height Solid

#### A Series Models

AHF232W-FHS  
 AHF232W-HHS

#### Door(s)

Full Height Solid  
 Half Height Solid

- GUARANTEED FOR LIFE CAM-LIFT HINGES
- GUARANTEED FOR LIFE HORIZONTAL WORK FLOW DOOR HANDLES (SOLID DOORS ONLY)

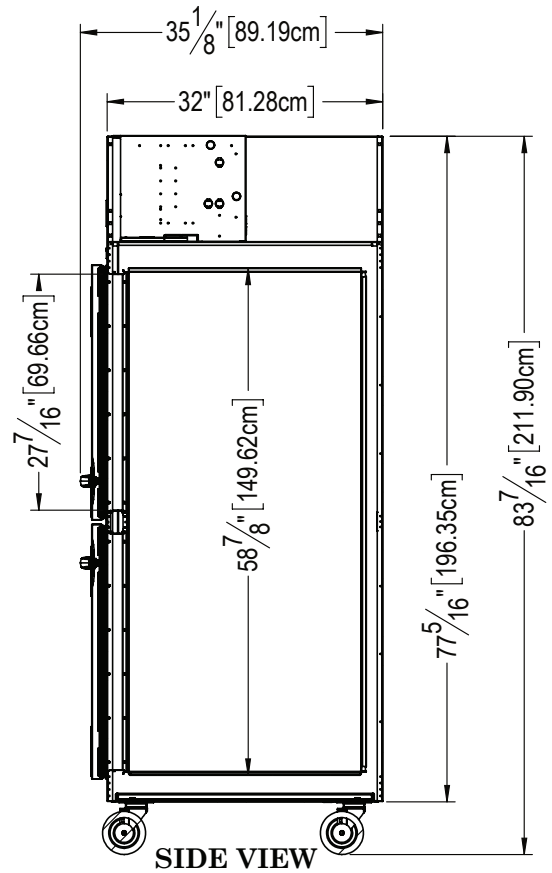
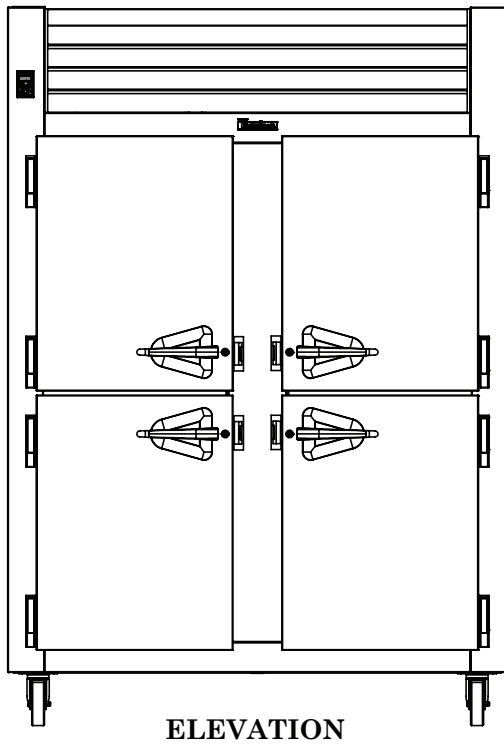
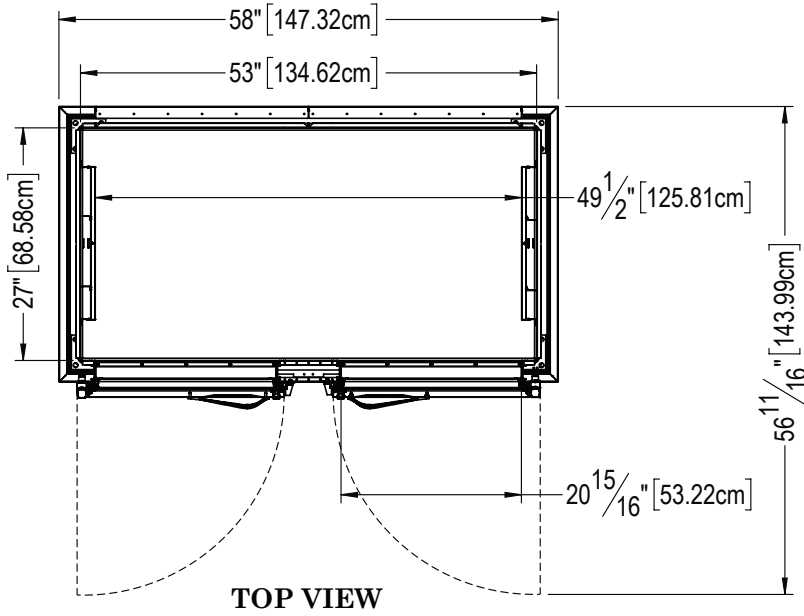


ENERGY STAR® Listed Commercial Hot Food Holding Cabinet  
 For full listing visit [energystar.gov](http://energystar.gov)

Approved by \_\_\_\_\_ Date \_\_\_\_\_ Approved by \_\_\_\_\_ Date \_\_\_\_\_

### MODELS:

RHF232W-HHS, AHF232W-HHS



➤ CAD and/or Revit Files Available

<https://traulsen.klccad.com/>

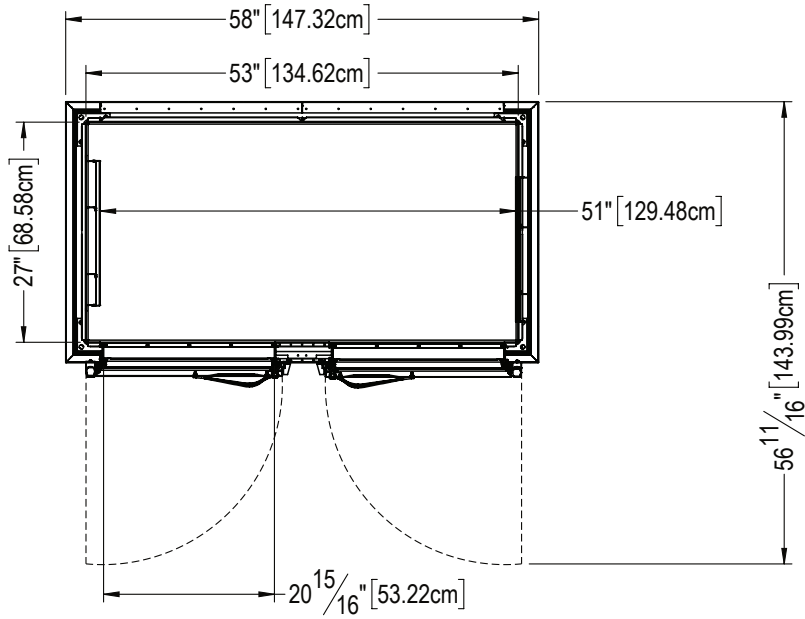


# R/A Series

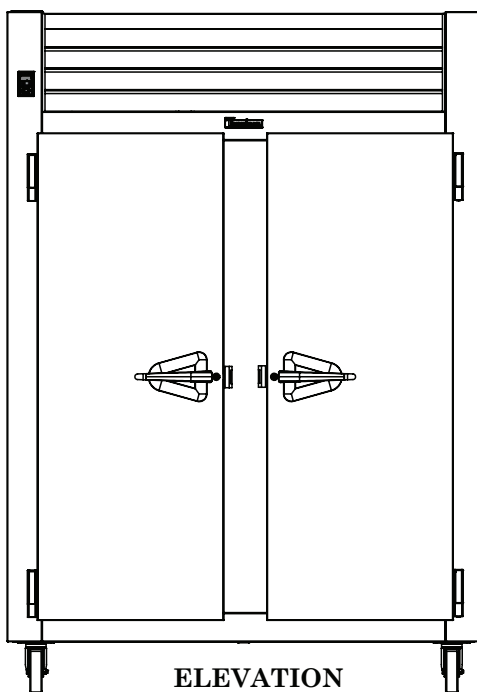
Reach-In Heated Cabinet Model  
32" Deep, W-Width

## MODELS:

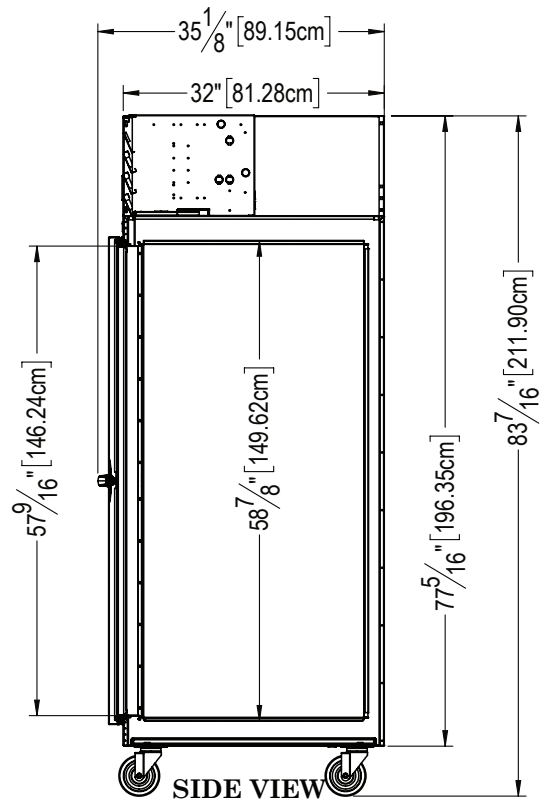
RHF232W-FHS, AHF232W-FHS



TOP VIEW



ELEVATION



SIDE VIEW

> CAD and/or Revit Files Available

<https://traulsen.kclcad.com/>



**MODELS:**

RHF232W-HHS, RHF232W-FHS  
 AHF232W-HHS, AHF232W-FHS

**EQUIPMENT SPECIFICATIONS**

MODELS	R/AHF232W
<b>DIMENSIONAL DATA</b>	
Net capacity cu. ft.	50.53 (1430.9 cu l)
Length - overall in.	58" (147.3 cm)
Depth - overall in.	35 1/8" (89.2 cm)
Depth - over body in.	32" (81.3 cm)
Depth - door open 90° in.	56 11/16" (144 cm)
Clear door width in. <sup>1</sup>	20 15/16" (53.2 cm)
Clear half-door height in.	27 7/16" (69.7 cm)
Clear full-door height in.	57 9/16" (146.3 cm)
Height - overall on 6" legs	83 7/16" (211.9 cm)
No. Standard Shelves	6
Shelf area sq. ft. <sup>2</sup>	28.71 (2.67 sq. m)
<b>ELECTRICAL DATA</b>	
Voltage   Plug	208-230/115/60/1   Hard Wired
Feed wires with Ground	4
Heater Wattage   Full Load Amperes	@208V = 3000   15.5
	@230V = 3672   17.1
	@240V = 4000   17.7
<b>SHIPPING DATA</b>	
Length - Crated in.	62" (157.5 cm)
Depth - Crated in.	42" (106.7 cm)
Height - Crated in.	85" (215.9 cm)
Volume - Crated cu. ft.	128.09 (3627.1 cu l)
Weight - Crated lbs.	524 (237.7 kg)

**NOTES:** Figures in parentheses reflect metric equivalents.

1. Please note that the available cabinet width narrows for 5 3/8" from the top of the door frame to 20 1/8" in order to allow for the heater fans.
2. Area of standard shelf compliment only, does not include storage area of additional shelves or available on cabinet bottom.
3. Traulsen does not offer or recommend a NEMA L14-20 plug for any 2 or 3-section hot food cabinet. We can offer a NEMA L14-30P through SPD as a special.

**CONSTRUCTION, HARDWARE, INSULATION**

The R-Series interior is made from stainless steel while the A-Series interior is made from corrosion resistant anodized aluminum. For both series, the cabinet exterior front, one piece sides, louver assembly, doors and door liners are constructed of heavy gauge stainless steel. A set of four (4) adjustable 6" high stainless steel legs are included.

Door(s) are equipped with a gasket-protecting metal door pan, removable plug cylinder locks & guaranteed for life cam-lift, gravity action, self-closing metal, glide hinges with stay open feature at 120 degrees. Hinges include a concealed switch to automatically activate the interior LED lighting. Guaranteed for life, work flow door handle(s) are mounted horizontally over recess in door which limits protrusion from door face into aiseways. Door(s) have seamless, polished metal corners.

Gasket profile & EZ-Clean™ material simplify cleaning & increase overall gasket life. Both the cabinet & door(s) are insulated with an average of 2" thick high density, non-CFC, foamed in place polyurethane.

**HEATING SYSTEM**

A low watt density, serpentine style, heater is employed for the generation of electric heat. Low velocity air is forced across its large surface area to efficiently move heat radiating away from these through a down-air distribution duct, where it is then evenly distributed throughout the cabinet, assuring the proper holding environment for hot food product, without drying. A vent, located at the top of the cabinet, is included for positive humidity control.

**CONTROL**

Traulsen's Smart Control™ features advanced control algorithms & sophisticated diagnostic capabilities to optimize performance. Utilizing smart sensors, it adapts the operation of the heating system to a variety of environments & usage patterns. The Smart Control™ also offers a complete set of visual alarms designed to alert the user to critical events such as power outages or a prolonged door opening. In the event of an alarm, a dedicated Alarm LED will illuminate, informing the user of the critical event and duration.

**INTERIOR**

Standard interior arrangements include three (3) coated wire shelves per section, mounted on pilasters. Shelves are full-width & do not have any large gaps between them requiring the use of "bridge" or "junior" shelves. Recommended load limit per shelf should not exceed 225 lbs. Optional tray slides may be purchased in combination with, or in lieu of these. Interior arrangements are factory installed.

**WARRANTY**

A six year parts and labor warranty is provided standard.

CONTINUED PRODUCT DEVELOPMENT MAY NECESSITATE SPECIFICATION CHANGES WITHOUT NOTICE.