

# Insulated Tilting Skillet

Electric,  
Insulated for Safety™  
10° Tilting, Leg Mounted  
Made in USA

# Combi-Pan® Model CS

## Standard Features



Model CS41-9  
(with optional drain hose and spray hose assembly)

- ◆ 304 stainless food contact zone with:
  - ◇ 304 stainless 1 ½" compression draw-off
- ◆ 304 stainless seam welded pan body with:
  - ◇ 10° tilting pan, 31" working height
  - ◇ Food pan holder under draw-off
  - ◇ Insulated sides and bottom
  - ◇ Rear drip collector on pan body
  - ◇ Tapered access rim
  - ◇ 240V, three phase (3Ø) standard
- ◆ Adjustable thermostat (175°F to 400°F)
- ◆ High limit safety thermostat
- ◆ Patented 304 stainless safety lid, seam welded with:
  - ◇ Actuator-assisted counterbalance
  - ◇ Full width condensate drip shield
  - ◇ Full width rear steam vent
  - ◇ 304 stainless safety handle
  - ◇ Dual side-mounted safety handles
- ◆ 304 stainless, seam welded component enclosure
- ◆ 304 stainless, seam welded tubular frame construction
- ◆ Adjustable flanged feet (flanged front, bullet rear)
- ◆ Approved for use as a fryer

Legion equipment is built to comply with applicable standards for manufacturers. Approval agencies may include ASME, NSF, UL, ETL, AGA, CSA, CGA, and others. Legion reserves the right of design improvement or modification as warranted. U.S. Patent Nos. 5,553,531, 5,964,145 & Des. 371,715.

## Models and Capacities

Model	2.5" Insert Pans	Cooking Baskets	Griddle Area (in. <sup>2</sup> )	Kettle (Gals.)	Frying Oil (lbs.)	Oven Volume (ft. <sup>3</sup> )
CS28-5	2	0	703	15.2	70	2.0
CS28-7	2	2	703	21.3	70	2.8
CS28-9	2	2	703	27.4	70	3.7
CS28-11	2	2	703	33.5	70	4.5
CS28-14	2	2	703	42.6	70	5.7
CS41-5	3	0	1029	22.3	105	3.0
CS41-7	3	3	1029	31.2	105	4.2
CS41-9	3	3	1029	40.1	105	5.4
CS41-11	3	3	1029	49.0	105	6.6
CS41-14	3	3	1029	62.4	105	8.4

Select draw-off valve:  1.5"  2"  3"

With:  compression  ball type fitting

See price list for other draw-off options.

Select Voltage:  208V  240V  380V  415V  440V  480V

Select Phase:  1φ  3φ

## Optional Features and Accessories

See price list for supplemental information regarding options

### Faucet Options:

- Single ball valve mounted to frame with 48" vinyl flexible spray hose assembly
- 48" flexible spray hose assembly (vinyl or stainless) for use with dual or single fill faucet
- Automatic water filling meter

(Call for information regarding additional faucet options)

### Prison/Security Options:

- Fasteners (screws & nuts)
- Nut / screw driver tool
- Draw-off nut driver tool
- Lockable control cover
- Lockable lid
- Draw-off protection

### Feet:

- Adjustable flanged feet (rear feet)
- Casters (two each locking/non-locking type) & restraining devices
- Restraining device kit

### Accessories:

- Perforated cooking/steaming basket (11" x 20½" x 5")
- Perforated or solid 12 x 20 food pans, 2½, 4 or 6 inch deep
- Draw-off drain spout
- Draw-off strainer
- Draw-off drain hose
- #10 Can holder for draw-off
- Flat bottom scoop
- Fry scoop
- Care kit
- 3 part tool for cleaning cooking surface

### Other Options:

- Knockdown capability for 26" x 66" opening (shipped assembled)
- Electric timer with buzzer



**LEGION** Legion Industries, Inc.  
(706) 554-4411 Fax: (706) 554-2035

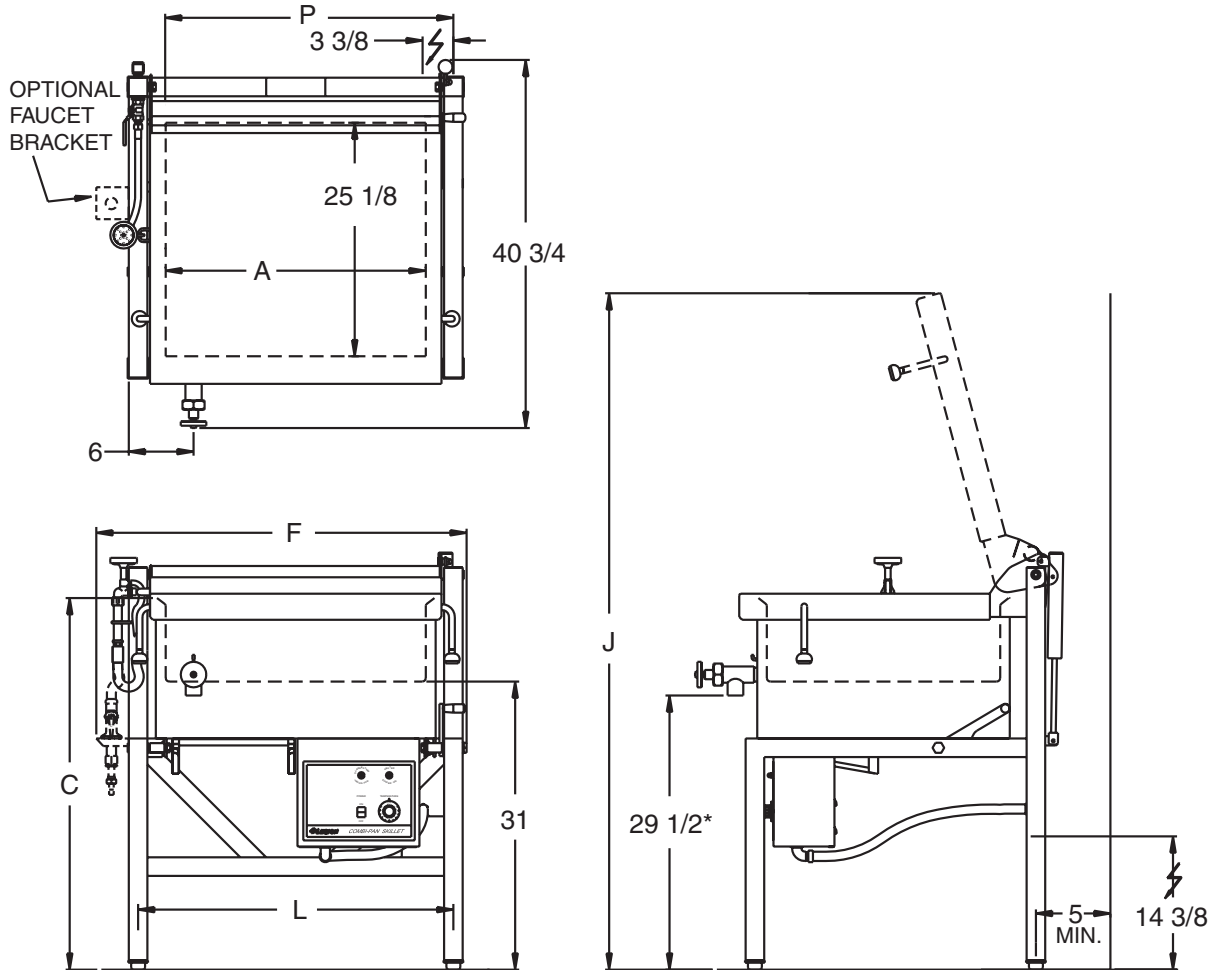
P.O. Office Box 728 Waynesboro, GA 30830 (800) 887-1988  
www.legionindustries.com sales@legionindustries.com

# Combi-Pan® Model CS

Electric,  
Insulated for Safety™  
10° Tilting, Leg Mounted  
Made in USA

# Insulated Tilting Skillet

DRAWING REPRESENTS MODEL CS28-9 WITH STANDARD 1 1/2" DRAW-OFF  
AND OPTIONAL SINGLE BALL VALVE AND SPRAY HOSE ASSEMBLY



COMBI-PAN® TILTING SKILLET DIMENSIONS

MODEL*	DEPTH	A (PAN ID)	C	F	J	L	P (DRAIN)	Model*	DEPTH	A (PAN ID)	C	F	J	L	P (DRAIN)
CS28-5	5	28.0	36.0	40.0	68.8	34.0	32.4	CS41-5	5	41.0	36.0	53.0	68.8	47.0	45.4
CS28-7	7	28.0	38.0	40.0	70.8	34.0	32.4	CS41-7	7	41.0	38.0	53.0	70.8	47.0	45.4
CS28-9	9	28.0	40.0	40.0	72.8	34.0	32.4	CS41-9	9	41.0	40.0	53.0	72.8	47.0	45.4
CS28-11	11	28.0	42.0	40.0	74.8	34.0	32.4	CS41-11	11	41.0	42.0	53.0	74.8	47.0	45.4
CS28-14	14	28.0	45.0	40.0	77.8	34.0	32.4	CS41-14	14	41.0	45.0	53.0	77.8	47.0	45.4

\*Dimensions on these drawings are applicable only when using a 1.5" diameter draw-off valve. If a 2" or 3" diameter draw-off valve is required, contact Legion for applicable dimensions.

COMBI-PAN® TILTING SKILLET ELECTRICAL SPECIFICATIONS (Amperes per Leg)

MODEL*	kW	208 Volt		240 Volt		380 Volt	415 Volt	440 Volt	480 Volt
		1 Phase	3 Phase-Δ	1 Phase	3 Phase-Δ	3 Phase-Y	3 Phase-Y	3 Phase-Y	3 Phase-Y
CS28-( )	11.8	51.3	29.6	49.3	28.4	18.0	16.4	15.5	14.2
CS41-( )	17.7	76.9	44.4	73.9	42.7	27.0	24.6	23.3	21.3

U.S. PATENT NOS. 5,553,531, 5,964,145 & DES. 371,715

Revision 113



**LEGION** Legion Industries, Inc. P.O. Office Box 728 Waynesboro, GA 30830 (800) 887-1988  
(706) 554-4411 Fax: (706) 554-2035 www.legionindustries.com sales@legionindustries.com