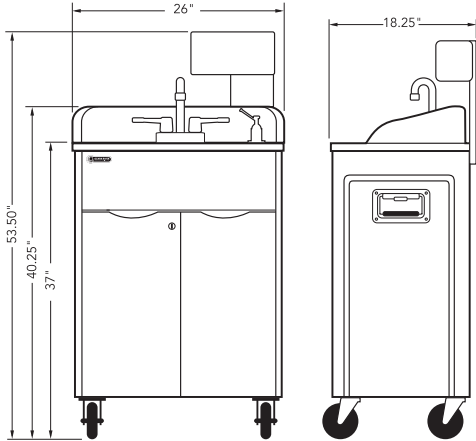


## TITAN PRO 1 BLACK

Our Titan PRO 1 self-contained, portable, hot water, handwashing sink is the heavy-duty, rough and tumble point-of-contact handwashing companion that adapts to any indoor and outdoor environment. Out-of-the-box ready and NSF-certified, this model is engineered with convenience and user ease in mind with its sturdy side handle and non-intrusive, paper-towel holding forearm.

A one-piece, integrated ABS black countertop and single sink basin with top-fill soap dispenser is supported by easily cleaned, stainless steel and UV-resistant, HDPE black doors that store your quick-connect tanks and hot water system. 5-gallons of on-demand, economical, hot water handwashing keep public health and safety at the forefront of any public event, disaster relief, food service, construction site, and anything else you can throw its way.



### TSPRK-AB-AB1N

Model Name	Titan Pro 1 Black
<b>NSF Certified</b>	Yes
<b>LivingGreen Approved</b>	Yes
<b>SACERS Rating</b>	12, 3.4, 5.1, 5.2
<b>Electrical Requirements</b>	110V, 20A Dedicated Outlet and Breaker
<b>On-Demand Hot Water</b>	Approx. 40°F Above Water Temperature
<b>GPM</b>	0.50
<b>Approx Handwashings</b>	45-60 (5 gallon tank)
<b>Product Dimensions</b>	26"W x 18.25"D x 53.5"H
<b>Product Weight</b>	108 lbs.
<b>Basin</b>	Single Integrated ABS Plastic
<b>Basin Dimensions</b>	11.75" W x 9.25" L x 5" D
<b>Countertop Material</b>	Integrated ABS Plastic
<b>Cabinet Material</b>	Stainless Steel / Black HDPE Plastic
<b>Paper Towel Dispenser</b>	M-Fold
<b>Fresh Water Tank</b>	5 Gallon Capacity, FDA Approved
<b>Waste Water Tank</b>	6 Gallon Capacity, FDA Approved
<b>Faucet Style</b>	ADA Compliant Wrist Action Handles
<b>Door Lock</b>	Keyless
<b>Soap Dispenser</b>	Liquid Only, Countertop Mount
<b>Cabinet Wheels</b>	5" Front Locking/Swivel Casters
<b>Warranty</b>	1 Year

#### Minimum Operating Requirements

- Each sink must use a grounded, dedicated 110V, 20A circuit breaker
- Sinks must be used on a dry, level surface
- Extension cord must be 12/3, rated at 20A or higher
- Water must meet EPA standards (PH between 7.0 and 9.0)

- BEAUTY + WELLNESS
- EDUCATION + CLASSROOM
- FOOD SAFETY
- HEALTHCARE
- RETAIL



Spring Loaded Recessed Handle for Simple Storage (White shown)



Paper Towel Dispenser (White shown)



Simple to Install Kit (White shown)

**IMPORTANT!**  
Consult with your state and local environmental health official to confirm usage of portable sinks in place of plumbing.

**GREATER NASHVILLE AREA**

**call 1.866.663.1982**

**OzarkRiver.com**