

Cleveland

TRI-LEG, DIRECT STEAM
TILTING, 2/3 STEAM JACKETED
25, 40 OR 60 GALLONS (100, 150 OR 225 LITERS)

Project _____
Item _____
Quantity _____
FCSI Section 11400 _____
Approved _____
Date _____

Direct Steam Kettles

Models

- KDL-25-T
- KDL-40-T
- KDL-60-T



Shown with optional Spring-Assisted Cover, 2" Tangent Draw-Off Valve

Options & Accessories

- Lift-off Covers (CL)
- Steam Control Kit includes: Steam Trap, Condensate Strainer, Check Valve, nipples and fittings, factory assembled and mounted on kettle (SCK2)
- Spring-assisted, hinged, rotatable, domed Stainless Steel Cover (CHS-)
- Hot and Cold Water Faucet, comes with Swing Spout (DPK)
- 2" or 3" diameter Tangent Draw-Off Valve (TD2 or TD3*), *TD3 for 60 gallon only and will raise height of kettle by 5-5/8" (143mm)
- 3" diameter Butterfly Valve (BV3)
- Cooking Baskets and Tri-Basket Supports (BS and TBS)
- Pan Carrier (PCK)
- Measuring Strips (MS)
- Gallon Markings (KM)
- Kettle Accessory Kit (KAK) includes:
 - Clean-up Brush (CB)
 - 36" Kettle Paddle (KP)
 - 36" Kettle Whip (KW)
 - 36" Kettle Brush (KB)
 - Draw-off Brush (DB)
 - 24 oz. Ladle (KL)
- Swing Funnels for drain (SF)
- Faucet Mounting Bracket (FBKT)
- Pressure Reducing Valve for regulating incoming steam pressure of over 45 psi (PRV-K)
- Hot and cold, or cold only, Kettle Filler with 60"Hose (DKF-K or SKF-K)
- Automatic Water Cooling* (AWC-1)
 - * requires Console Mounting Option
- Automatic Water Meter (GMF or LMF)
- Water Meter Stand (SWM)
- Food Strainer (FS)
- Flow Diverter (FD)
- Drain Strainers (DS-)
- Pre-Rinse Spray Head and Hose (PRSK)
- Heat Deflector Shield (HS001)
- Correctional Packages

Short Form Specifications

Shall be CLEVELAND, Direct Steam Kettle, Tri-leg mounted, Model KDL - _____ - T, _____ gallons, Tilting (hand or power) 2/3 Steam Jacketed. 50 psi Steam Jacket Rating; Steam Control Valve; heavy re-enforced Rolled Rim. To operate, connect directly to a steam source supplying 10 to 45 psi steam. 316 Stainless Steel Interior.

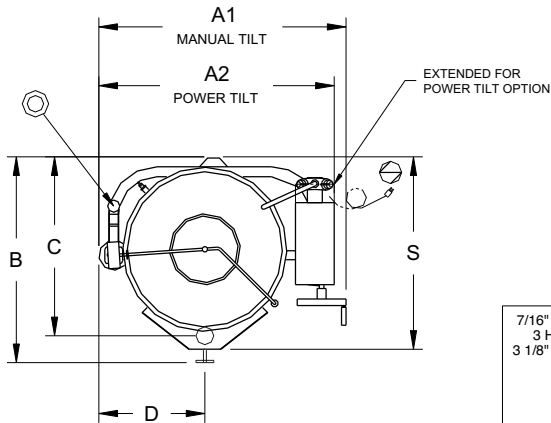
Standard Features

- Kettle legs of 15/8" OD, type 304 Stainless Steel, with 3 level adjustable feet, with three-bolt flanges for floor bolting
- Type 304 Stainless Steel construction, with #4 finish on kettle and supports
- Tilting Mechanism with permanently lubricated, self-locking, Worm Drive of space saving design
- 50 psi Steam Jacket Rating
- 50 psi chrome plated Safety Valve
- High Capacity Pouring Lip
- Condensate Drain Valve with insulated handle
- Steam Control Valve mounted on console
- Typical approvals include NSF and ASME
- 316 Stainless Steel Kettle Interior

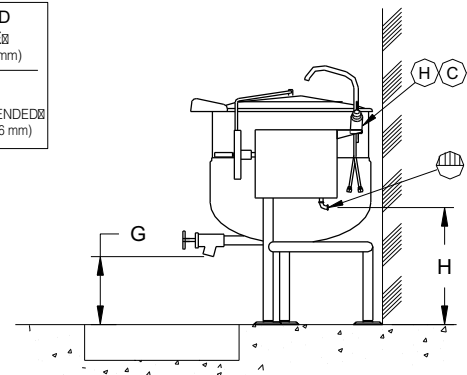
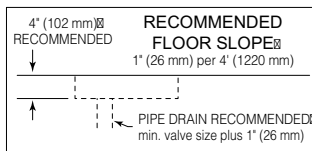
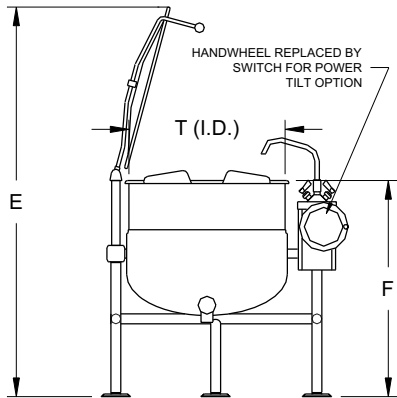
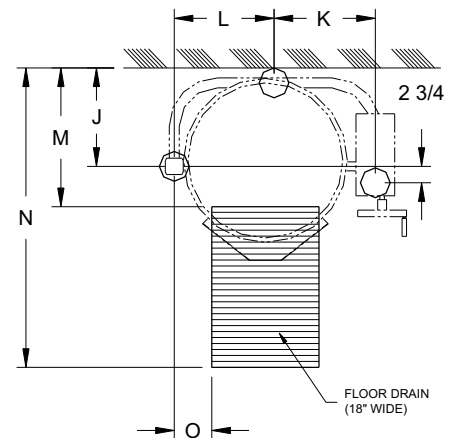
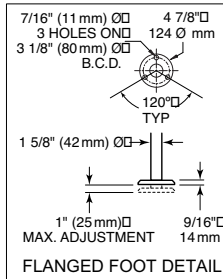
KE004046-50

Cleveland

CAPACITIES: (in 8 oz. servings, other sizes may be calculated.)
 25 Gallon / 100 liters . . . 400 servings
 40 Gallon / 150 liters . . . 640 servings
 60 Gallon / 225 liters . . . 960 servings



NOTE: TD3, 3" tangent draw off will raise height of kettle by 5-5/8" (143mm). Available on 60 gallon models only.



UNIT SHOWN WITH OPTIONAL 2" TANGENT DRAW-OFF VALVE, SPRING ASSIST COVER, HOT AND COLD WATER FAUCED AND STEAM CONTROL KIT.

DIMENSIONS

GALS/ LITERS	A1	A2	B	C	D	E	F	G	H	J	K	L	M	N	O	S	T.I.D.	
25 100	IN mm	37 5/8 957	35 1/2 902	33 3/8 848	28 5/8 728	15 3/8 391	61 7/8 1572	36 5/8 931	14 356	18 1/2 470	15 1/2 394	14 1/2 369	14 1/4 362	21 5/8 550	49 1/4 1251	3 7/8 99	29 5/8 753	21 534
40 150	IN mm	41 5/8 1058	39 1/2 1004	34 3/4 883	30 762	17 7/8 455	65 7/8 1674	36 7/8 937	12 1/4 312	19 483	16 1/2 420	17 432	16 3/4 426	23 3/8 594	51 1/8 1299	6 3/8 162	32 3/8 823	26 661
60 225	IN mm	45 1/8 1147	43 1093	38 966	33 3/8 848	19 5/8 499	74 1/8 1883	40 7/8 1039	12 3/4 324	20 1/4 515	18 1/2 470	18 3/4 477	18 1/2 470	26 5/8 677	56 3/8 1432	8 1/8 207	36 1/4 921	29 1/2 750

Shipping Weights & Dimensions	
Model -	
KDL-25-T	Weight - 285 lbs Width - 38" Depth - 38" Height - 54"
KDL-40-T	Weight - 291 lbs Width - 44" Depth - 44" Height - 54"
KDL-60-T	Weight - 364 lbs Width - 48" Depth - 48" Height - 54"

DIRECT STEAM	ELECTRIC	WATER	CLEARANCE						
Steam Supply: • Furnish 3/4" IPS minimum line. • Operating Pressure 10 to 45 psi.	<table border="1"> <thead> <tr> <th>VOLTS 1 PH</th> <th>AMPS</th> </tr> </thead> <tbody> <tr> <td>115</td> <td>5</td> </tr> <tr> <td>240</td> <td>2.5</td> </tr> </tbody> </table> For Power Pour models	VOLTS 1 PH	AMPS	115	5	240	2.5	1/2" O.D. copper tube. When ordered with optional faucet.	RIGHT = 4.00" handle clearance LEFT = 0" REAR = 0"
VOLTS 1 PH	AMPS								
115	5								
240	2.5								

NOTES:

Cleveland Range reserves right of design improvement or modification, as warranted.
 Many regional, state and local codes exist and it is the responsibility of the owner and installer to comply with the codes.
 Installation of backflow preventers, vacuum breakers and other specific code requirements is the responsibility of the owner and installer.
 Cleveland Range equipment is built to comply with applicable standards for manufacturers. Included among those approval agencies are U.L., A.G.A., NSF, ASME/N.Bd., CSA, CGA, ETL and others.

(NOT TO SCALE)

Direct Steam Kettles

760 Beta Drive, Unit D
 Mayfield Village, Ohio 44143

Tel 1.216.481.4900
 Fax 1.216.481.3782
 Email steam@clevelandrange.com

www.clevelandrange.com
 Section 7, Page 10
 02 / 2021

Timeless Quality, Trusted For Life®