

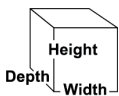
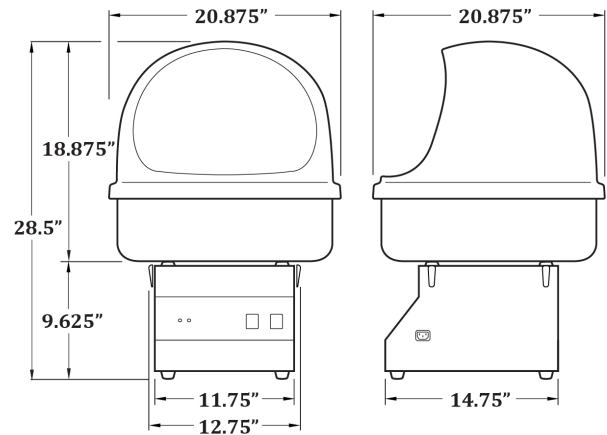


GOLD MEDAL® PRODUCTS CO.

The QuickSpin®

Model No. 3001-00-000

Specifications



Overall Dimensions:

Width: 20.875" (53 cm)

Depth: 20.875" (53 cm)

Height: 28.5" (72.4 cm)

Dimensions include Floss Pan and Bubble mounted on unit, (see drawing above).

Single Serve Floss Machine – Features:

- Voltage Drop resistant power output
- Precise temperature control
- **QuickStart** mode (automated startup)
- **QuickCool** mode (automated cool down)
- **Standby** mode (low power heat maintenance for quicker restarts)
- Floss pan and bubble included.

Electrical - Domestic

120V

1270 WATTS 60 Hz

(NEMA 5-15P) Plug

Cart Options (all sold separately)

For use with The QuickSpin floss machine (refer to each model's Spec Sheet for cart specifications).

- **3149SSF** 20 x20 Pink Floss Cart
- **3118SSF** Candee Fluff Lobby Master
- **3150SSF** 20 x 48 Blue Floss Cart
- **3150SSFP** 20 x 48 Cotton Candy & Popcorn Cart

Plug Type:



NEMA 5-15P

Agency Approvals:



Gold Medal Products Co.

10700 Medallion Drive, Cincinnati, OH 45241

Ph: (513) 769-7676, (800) 543-0862; Fax: (513) 769-8500

gmpopcorn.com info@gmpopcorn.com