

Glastender®

A family company manufacturing in the USA

www.glastender.com



Intertek

4004503

Conforms to NSF/ANSI STD 2

WH-14-ESD

Project: _____	AIA# _____
Item #: _____ Qty: _____	SIS# _____
Model #: _____	

Wall-Mount Hand Sink w/Extended Backsplash

WH-14-ESD

Standard Features

- All stainless steel
- One piece seamless top and backsplash featuring 1/4" radius corners
- Drawn sink bowl
- Heavy-duty, hot and cold water faucet
- 1" deep recessed work surface with extra tall backsplash
- Soap dispenser and C-fold paper towel dispenser
- Wall-mounting bracket

Configurable Options

- Foot-operated faucet; specify option FOF-D
- Side splashes; specify option LS15 (left) and/or RS15 (right)

Accessories

03000483 Lift-out perforated plastic wet waste strainer

Specifications

Drains

- 1-1/2" I.P.S. threaded drain will fit Dearborn part #8033 slipnut and part #W-573P washer

Faucet

- Deck mount on 4" centers, accepts 3/8" sink leads, hot and cold water connections required
- Optional foot-operated faucet: single hole, (2) 1/2" NPT female inlets and (1) 1/2" NPT female outlet
- NSF/ANSI 61, 372 low lead compliant

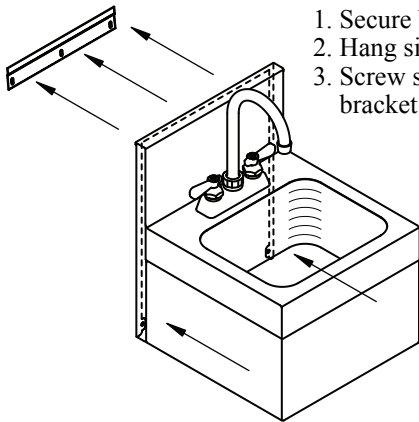
Sink Bowl Dimensions

- 9-1/4" by 11-1/2" by 6" deep

Materials

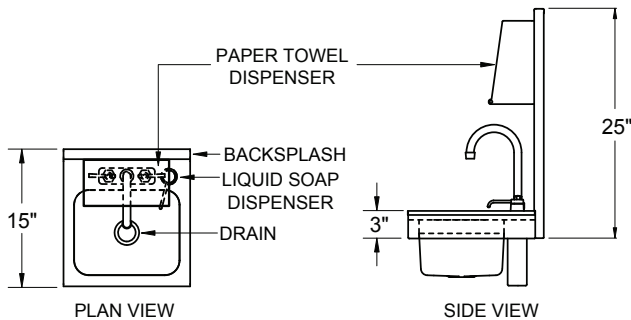
- 20 gauge stainless steel parts include: all components unless otherwise noted
- 18 gauge stainless steel parts include: wall-mounting bracket

Wall Mounting Instructions



1. Secure bracket to wall.
2. Hang sink on bracket.
3. Screw sink to wall through bracket on bottom back of sink.

Dimensional Information



FOF-D
Foot-operated
faucet

WARNING: The plastic wet waste strainer accessory can expose you to chemicals including Bisphenol A (BPA), which is known to the State of California to cause birth defects or other reproductive harm. For more information, go to www.P65Warnings.ca.gov. **Warning applies to State of California only.** Part #03000483

To view cleaning and care instructions, please visit:
https://www.glastender.com/PDF/F-423-011_ss_clean_care.pdf

Glastender, Inc. • 5400 N Michigan Rd • Saginaw, MI • 48604-9780
989.752.4275 • 800.748.0423 • Fax 989.752.4444
www.glastender.com

Approval/Notes:

Specifications subject to change without notice. For current specifications please visit our website.