

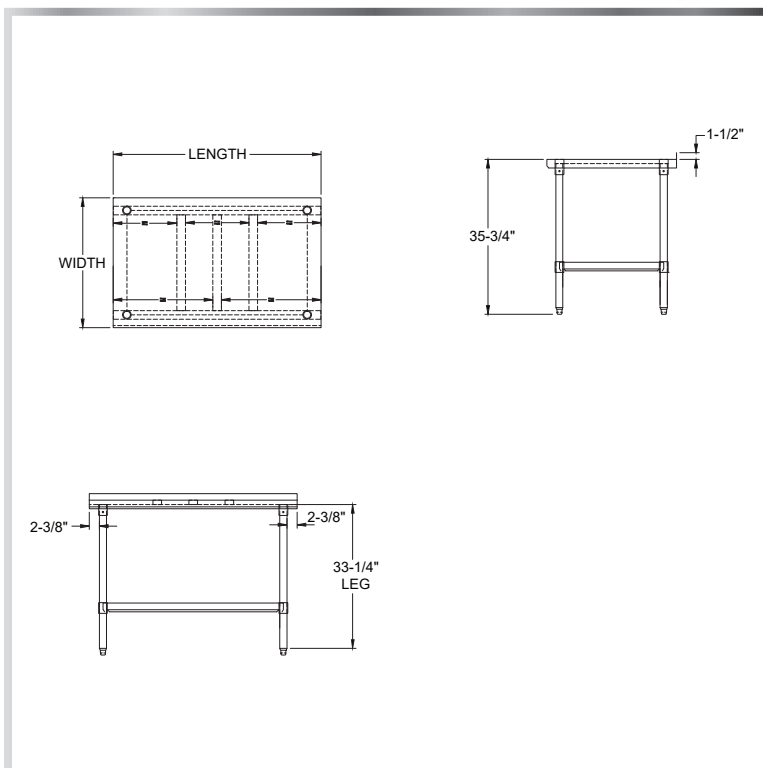
ECONOMY WORKTABLE WITH 1-1/2" BACKSPLASH

WORKTABLES - 1-1/2" SPLASH



MATERIALS

- 18 Gauge 430 Series Stainless Steel Top
- Galvanized Lower Shelf and Legs
 - Plastic Bullet Feet



FEATURES

- Straight Turndown Edges
- Adjustable Lower Shelf and Bullet Feet (* Has 6 Legs)
- Available With Casters (Page 120)

MODEL NUMBER	LENGTH	WIDTH
TG-2424R	24"	24"
TG-3024R	30"	24"
TG-3030R	30"	30"
TG-3618R	36"	18"
TG-3624R	36"	24"
TG-3630R	36"	30"
TG-4818R	48"	18"
TG-4824R	48"	24"
TG-4830R	48"	30"
TG-6018R	60"	18"

MODEL NUMBER	LENGTH	WIDTH
TG-6024R	60"	24"
TG-6030R	60"	30"
TG-7218R	72"	18"
TG-7224R	72"	24"
TG-7230R	72"	30"
TG-8424R*	84"	24"
TG-8430R*	84"	30"
TG-9618R*	96"	18"
TG-9624R*	96"	24"
TG-9630R*	96"	30"

(609) 642 - 8389 | SALES@NBREQUIPMENT.COM | WWW.NBREQUIPMENT.COM

NBR EQUIPMENT, 10 ABEEL ROAD, CRANBURY, NJ 08512