

Glastender®

A family company manufacturing in the USA

www.glastender.com



ETL
INTERTAK LISTED
Intertek
 4004503
 Conforms to ANSI/NSF STD 2
 Certified to CSA/CAN STD B45.4

Project: _____	AIA# _____
Item #: _____ Qty: _____	SIS# _____
Model #: _____	

Mixology Units

MRS-12, MTS-14, MFT-8, MFS-12, MFT-20

Standard Features

- All stainless steel
- One-piece seamless top and backsplash featuring 1/4" radius corners
- Drawn sink bowl (MFT-8 excluded)
- Heavy-duty, hot and cold water faucet (MFT-8 excluded)
- Adjustable stainless steel bullet feet (MFT-8 excluded)
- MRS-12 includes push-down rinser faucet with 6" plunger plate and lift-out perforated plastic sink strainer
- MTS-14 includes push-down rinser faucet with 4-1/2" plunger plate, lift-out perforated plastic sink strainer, and 6" diameter seamlessly welded draining dipper well and faucet
- MFT-8 includes push-down rinser faucet with 4-1/2" plunger plate, 6" diameter seamlessly welded draining dipper well and faucet, and removable 7-1/2" x 7-1/2" cutting board (NOTE: No legs – mounts to adjacent underbar)
- MFS-12 includes lift-out perforated plastic sink strainer and removable 8" x 11" cutting board
- MFT-20 includes push-down rinser faucet with 4-1/2" plunger plate, lift-out perforated plastic sink strainer, 6" diameter seamlessly welded draining dipper well and faucet, removable 8" x 11" cutting board, and ice scoop well

Specifications

Drain for sinks and dipper wells

- 1-1/2" I.P.S. threaded drain will fit Dearborn part #8033 slipnut and part #W-573P washer

Backsplash Faucet

- Backsplash mounted on 4" centers, accepts 3/8" sink leads, hot and cold water connections required
- Optional foot-operated faucet: single hole, (2) 1/2" NPT female inlets and (1) 1/2" NPT female outlet.
- NSF/ANSI 61, 372 low lead compliant

Dipper Well Faucet (on MFT-8, MTS-14, & MFT-20 models)

- Accepts 3/8" cold water lead
- 1.4 gallons per minute

Rinsers Faucet (on MRS-12, MTS-14, MFT-8, & MFT-20 models)

- Accepts 3/8" cold water lead
- 30 psi water pressure regulator included
- 1.2 gallons per minute

Sink Bowl Dimensions (MFT-8 excluded)

- 9-1/4" by 11-1/2" by 6" deep

Legs (MFT-8 excluded)

- 1-5/8" diameter, 16 gauge stainless steel
- Adjustable stainless steel bullet feet for total leg height of 16" to 17-1/4"

Materials

- 20 gauge stainless steel parts include: all components unless otherwise noted

Configurable Options

- Foot-operated faucet; specify option FOF-B (MFT-8 excluded)
- Knee-operated faucet; specify option KOF-B (MFT-8 excluded)
- Side splashes; specify option LSM (left) and/or RSM (right) for MFS and MFT models, specify option LSB-D (left) and/or RSB-D (right) for MRS and MTS models



FOF-B
Foot-operated faucet



KOF-B
Knee-operated faucet

WARNING: The plastic wet waste strainer included with this product can expose you to chemicals including Bisphenol A (BPA), which is known to the State of California to cause birth defects or other reproductive harm. For more information, go to www.P65Warnings.ca.gov. **Warning applies to State of California only.** Part #03000483

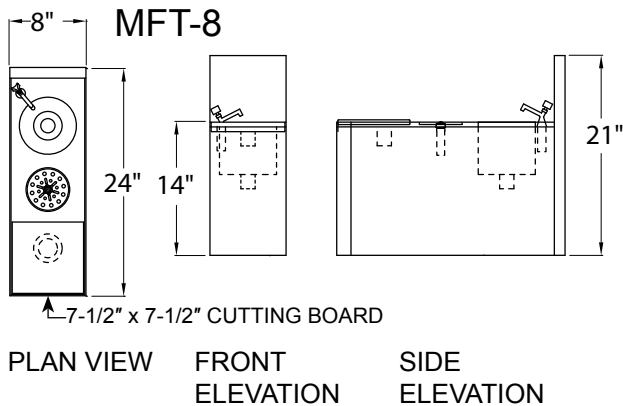
To view underbar installation instructions, please visit: https://www.glastender.com/PDF/F-750-165_Underbar_Installation_Instructions.pdf

To view cleaning and care instructions, please visit: https://www.glastender.com/PDF/F-423-011_ss_clean_care.pdf

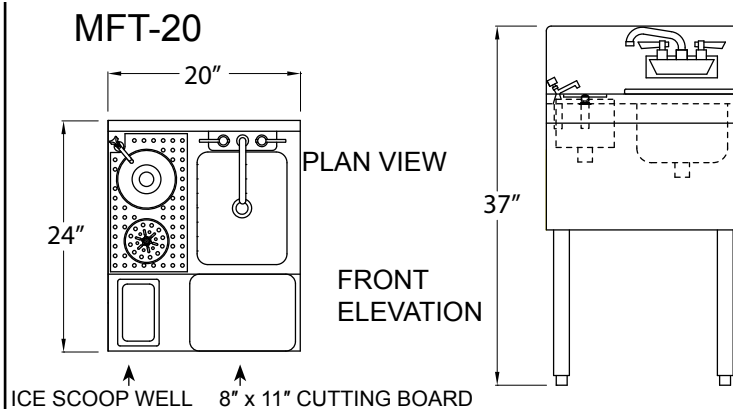
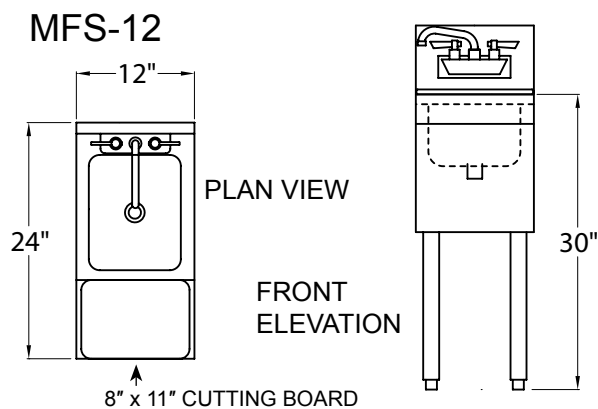
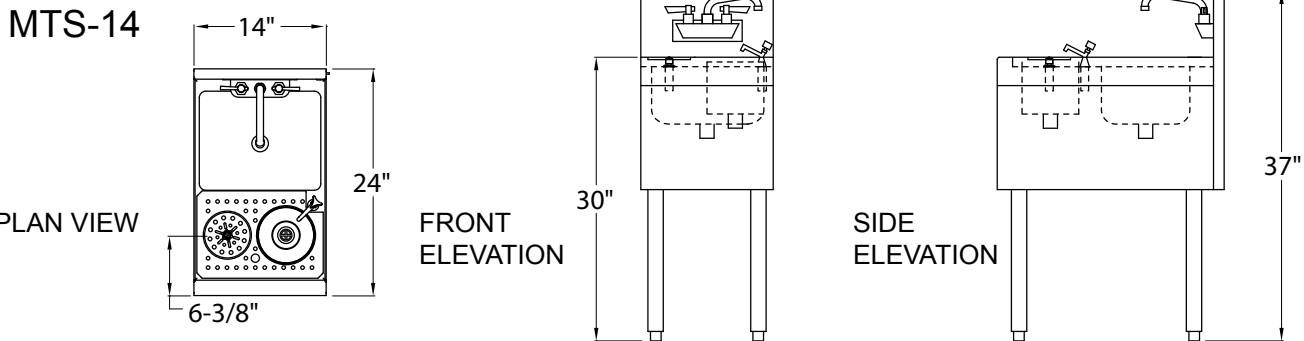
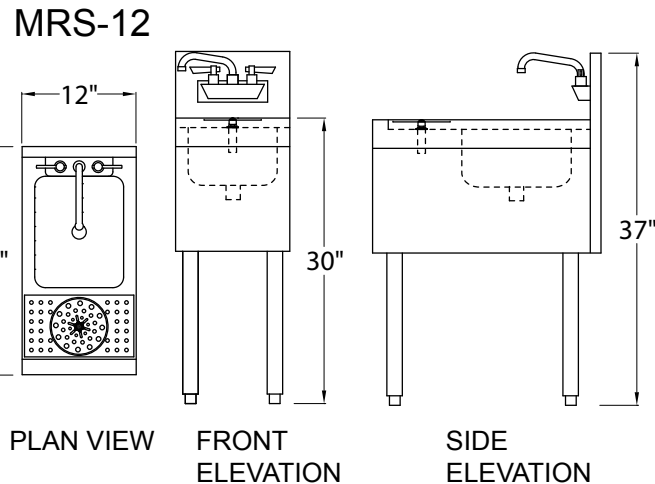
Glastender, Inc. • 5400 N Michigan Rd • Saginaw, MI • 48604-9780 989.752.4275 • 800.748.0423 • Fax 989.752.4444 www.glastender.com	Approval/Notes:
Specifications subject to change without notice. For current specifications please visit our website.	

Mixology Units

Dimensional Information



Note: MFT-8 model has no accommodation for legs and must be mounted to at least one adjacent piece of underbar.



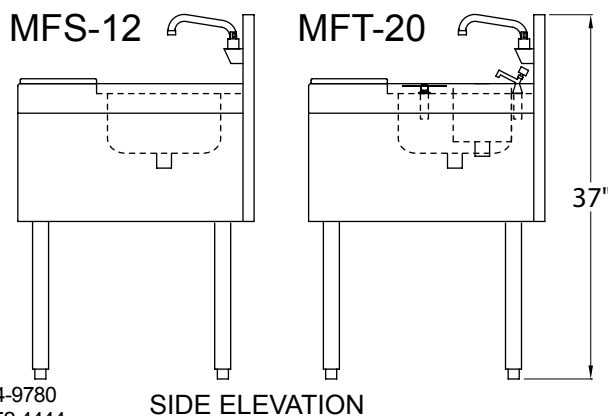
Rinser Faucet Installation Notes

- Unit does not provide a 1" air gap
- Must be installed with external backflow prevention to meet applicable federal, state, and local plumbing code requirements.
- Install in-line water pressure regulator (included)
- A separate shut-off valve is recommended (not included)

03012383
Rinser Faucet
Assembly



Intertek
4004503
Conforms to NSF/ANSI STD 372



5400 N Michigan Rd • Saginaw, MI • 48604-9780
989.752.4275 • 800.748.0423 • Fax 989.752.4444
www.glastender.com

Printed in USA