



TOP SHELF EXTRA CAPACITY SINKS

TS & TSF Series One Compartment (M1) and Three Compartment (M3)

MODEL NUMBERS - TS18M1-EC, TSF18M1-EC, TS54M3-EC, TSF54M3-EC



JOB	
AREA	
ITEM NO.	
MODEL NO.	

MODELS	
TS Series	TSF Series
TS18M1-EC	TSF18M1-EC
TS54M3-EC	TSF54M3-EC



TS18M1-EC



TS54M3-EC

KEY PRODUCT FEATURES AND BENEFITS

- Additional capacity meets various regional health codes.
- Extra deep stainless steel bowls are durable and withstand the wear of normal use with a greater capacity.
- Sink bowls are 16-1/4"W & 16" front to back & 15" deep.

Additional Features:

- Designed to mount easily to other Perlick equipment for a seamless layout behind your bar.
- Stainless steel legs with adjustable thermoplastic feet install without tools for freestanding applications.
- Commercial grade lead free faucets and anti-microbial handles available.



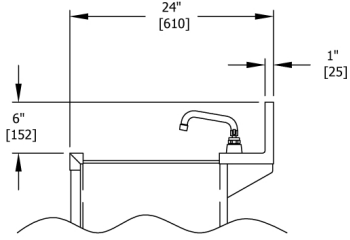
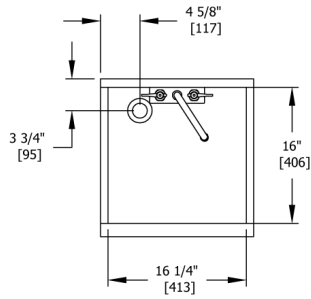
TOP SHELF EXTRA CAPACITY SINKS
TS & TSF Series One Compartment (M1) and Three Compartment Sinks (M3)

MODEL NUMBERS - TS18M1-EC, TSF18M1-EC, TS54M3-EC, TSF54M3-EC

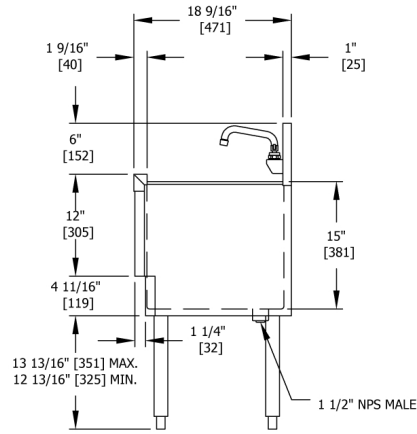
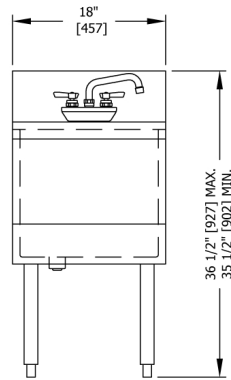
MODEL NOS.		TS18M1-EC	TSF18M1-EC	TS54M3-EC	TSF54M3-EC
DIMENSIONS: EXTERIOR (mm)	Width (in. (mm))	54 (1372)		54 (1372)	
	Depth	TS Series 18-9/16" / TSF Series 24"			
	Height	Free standing = 36" Height / Modbar = 40-3/8" height			
	Number of Tanks	1		3	
	Ship Weight, Lbs. (kg)	105 (48)		205 (93)	
MATERIALS	General	All stainless steel parts			
	Front Ledge & Apron	20 gauge stainless steel			
	Backsplash	6" high (4" high optional) with 1" return at the top, mechanically fastened and sealed to hand sink top with steel support brackets. TS Series: 20 gauge stainless steel TSF Series: 5-1/2" rear deck, 20 gauge stainless steel on backsplash and rear deck			
	Ends, Back & Bottom	Stainless steel			
	Legs	1-5/8" tubular, stainless steel with 1" adjustable thermoplastic feet			
	Rinse Tank	20 gauge stainless steel, 16"x16-1/4"x15" deep. All horizontal corners have 1/4" radius and vertical corners have 3/16" radius with balled corners. Furnished with 1-1/2" stainless steel drain socket and 12" standpipe. Sound deadening underside.			
	Water Faucet	Hot and cold, heavy-duty all brass construction, chrome plated. Must be ordered separately. TS Series: Wall mount with 6" swing spout TSF Series: Deck-mount with 6" swing spout			
PLUMBING	Drain Connection	1-1/2" NPS male. Hot and cold water connection 1/4" NPT female.			
OPTIONAL ACCESSORIES	Optional lead-free faucet available for both 1 and 2 sink models				



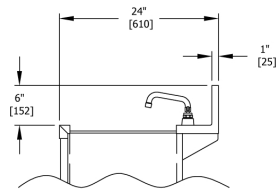
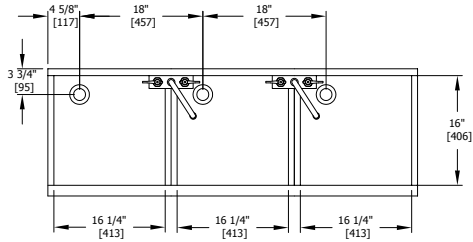
TOP SHELF EXTRA CAPACITY SINKS
TS & TSF Series One Compartment (M1) and Three Compartment Sinks (M3)



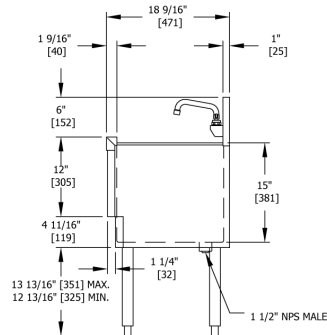
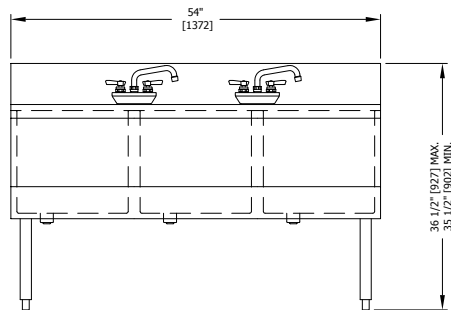
TSF END VIEW



TS END VIEW



TSF END VIEW



TS END VIEW