

"SDS-W" SANITIZER DISPENSER HOLDER

14GA S.S. - Wall Mount

FEATURES:

- 14GA Type 300 Stainless Steel, #4 Polish, Satin Finish
- 6.5" Diameter Hole Fits Standard Gallon Pump Bottles Of Soap Or Hand Sanitizer
- Small Footprint
- Easily Mounts Near Entryways
- Note: Sanitizer Dispenser Not Included



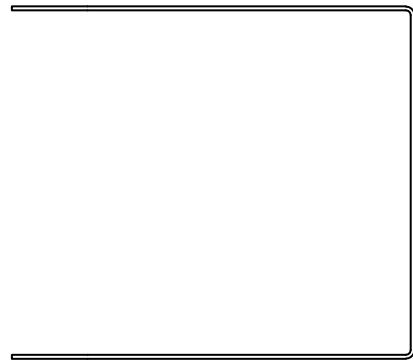
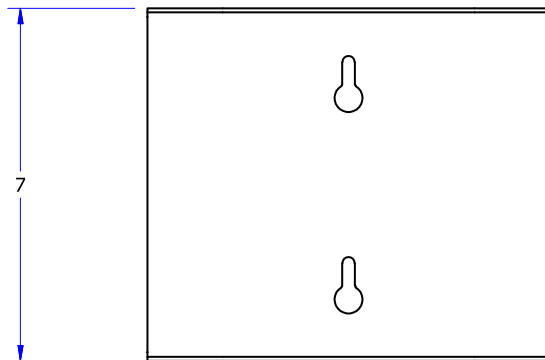
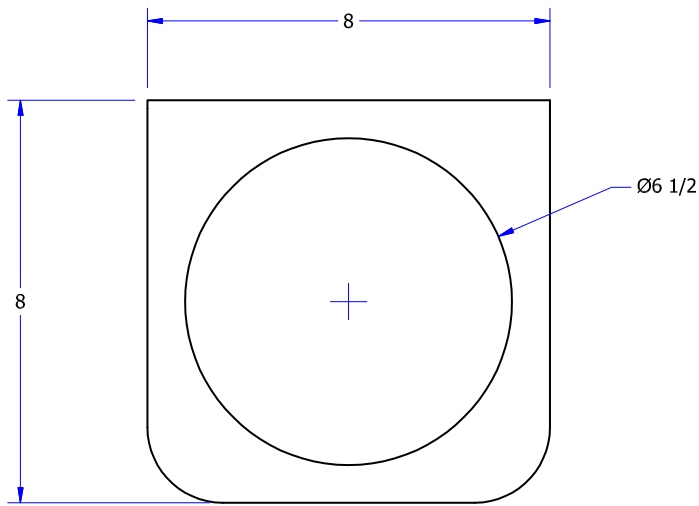
SDS-W-1
(SANITIZER dispenser NOT INCLUDED)

"SDS-W" SANITIZER DISPENSER HOLDER

| MODEL | SIZE (LXWXH) | WEIGHT (LBS) |
|---------|--------------|--------------|
| SDS-W-1 | 8"x8"x7" | 3 |

ALL DIMENSIONS ARE TYPICAL. TOLERANCE +/- .500". JOHN BOOS & CO. RESERVES THE RIGHT TO CHANGE SPECIFICATIONS WITHOUT NOTICE.

DETAILED SPECIFICATIONS



"SDS-W" SANITIZER DISPENSER HOLDER

| MODEL | SIZE (LXWXH) | WEIGHT (LBS) |
|---------|--------------|--------------|
| SDS-W-1 | 8"x8"x7" | 3 |

ALL DIMENSIONS ARE TYPICAL. TOLERANCE +/- .500". JOHN BOOS & CO. RESERVES THE RIGHT TO CHANGE SPECIFICATIONS WITHOUT NOTICE.