



Project Name: _____

Item#: _____

Quantity: _____



iLume 2791-ILT400

Item #	Application	# Of Heating Zones	Peak Power
2791-ILT400	Heat lamp	1	400 W

Description:

The iLume infrared, multi-positioning heat lamp combines modern design with superior functionality for better presentation and performance over traditional heat lamps. Powered by long heat wave technology, the iLume offers more even heat distribution with greater energy efficiency than your standard heat lamp by penetrating heat energy into the food instead of simply warming the foods surface.

Construction & Performance Features:

- Dual articulating joints, 170° swivel
- 12" Carbon fiber long-wave IR heating element
- Daisy-chain feature can connect 3 iLumes to a single 120V, 15-amp outlet (US only)
- Lightweight, less than 20 lbs
- Collapsible with locking feature
- Auto-shut off safety feature
- Coated aluminum, matte black finish
- Countertop with low profile base
- Long wave heat tube evenly distributes heat across food
- 2 LED light settings: low and high
- 5' power cord with plug
- ON/OFF power Switch

Standard Warranty:

1 year Spring USA limited warranty. See springusa.com/warranty for more details.

Agency Listings:

- ETL
- UL 197
- CSA C22.2 #109 (cETL)
- NSF certified



Available Accessories/Alternate Configurations:

- Spring USA warming trays
- iLume Heat Lamp (International version)
- Hold-only Warming Induction Ranges
- Cook & Serveware

See *Spring USA catalog* or visit springusa.com



Project Name: _____

Item#: _____

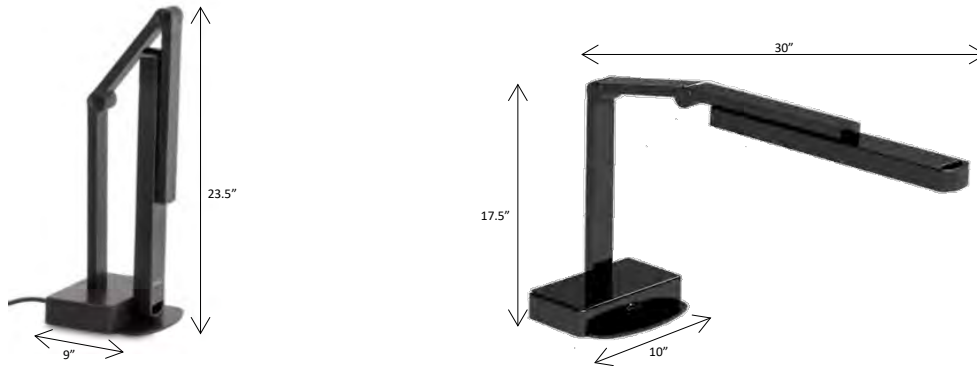
Quantity: _____

_____ iLume _____

Electrical Requirements:

Item#	Volts	Phase	Hertz	Watts	Amps	Plug
2791-ILT400	110v - 120V	1	60	400 W	3 AMP	NEMA5-15P

Key Dimensions:



Shipping Dimensions:

Single Unit Carton				
Item #	Length	Width	Height	Weight
2791-ILT400	15	13	27	23

Notes & Conditions:

- Do not daisy chain more than (5) lamps total.
- Food should be at or above serving temperature before being placed under a heat lamp.