



ALUMINUM

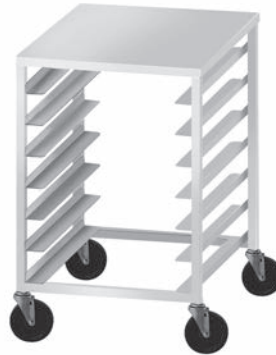
# PIZZA PAN AND DOUGH BOX RACKS

Item #:	_____	Qty #:	_____
Model #:	_____		
Project #:	_____		

500 lbs. evenly distributed weight.



**Half Size Rack  
PR10-3WT**



**Pizza Dough Box Rack  
PDB7**



**Pizza Dough Box Rack  
PDB14**

**FEATURES:**

**PZ12 - Pizza Pan Rack**

2" shelf spacing, 12 pan capacity, 5" poly stem bolted casters, 4" wide slides.

**PDB7 - Pizza Dough Box Rack**

3 3/4" shelf spacing, 7 box capacity, 5" poly stem bolted casters, 2" slides.

**PDB14 - Pizza Dough Box Rack**

3 3/4" shelf spacing, 14 pan capacity, 4" plate casters, 2" slides. NO TOP.

**Half Size Racks**

3" shelf spacing, 10 pan capacity, 5" poly stem bolted casters, 1 1/2" ribbed angles

**CONSTRUCTION:**

Fully welded, ready for use.

**MATERIAL:**

6063-T52 extruded aluminum angles, upright tubing, and support pieces.

**PIZZA PAN & DOUGH BOX RACKS**

Model #	Top	Description	Capacity	Shelf Spacing	Overall Size W x L x H	Approx. Wt.
PDB7	Aluminum Top	Front Load	7 Boxes	3 3/4"	26 7/8" x 20 5/8" x 35"	27 lbs.
PDB14	No Top	Front Load	14 Boxes	3 3/4"	26" x 20 1/4" x 61 1/2"	63 lbs.

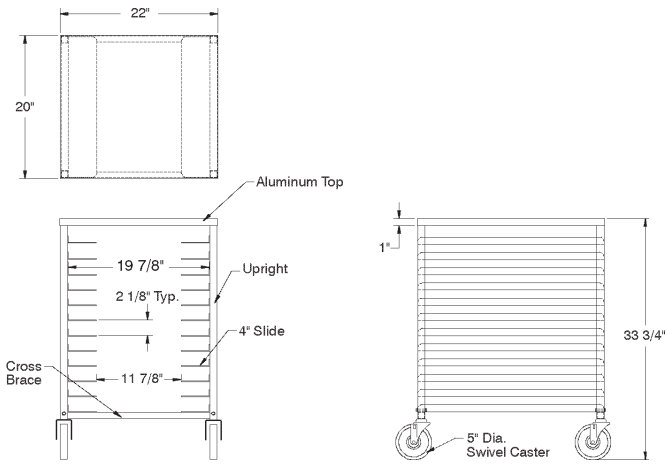
**HALF SIZE RACKS**

Model #	Top	Description	Capacity	Shelf Spacing	Overall Size W x L x H	Approx. Wt.
PR10-3WT	Aluminum Top	Front Load	10 Full/20 Half Size Pans	3"	20 1/4" x 26" x 38 1/2"	30 lbs.
PR10-3PT	Poly Top	Front Load	10 Full/20 Half Size Pans	3"	20 1/4" x 26" x 39"	45 lbs.
PR10-3ST	Stainless Steel Top	Front Load	10 Full/20 Half Size Pans	3"	20 1/4" x 26" x 39"	35 lbs.

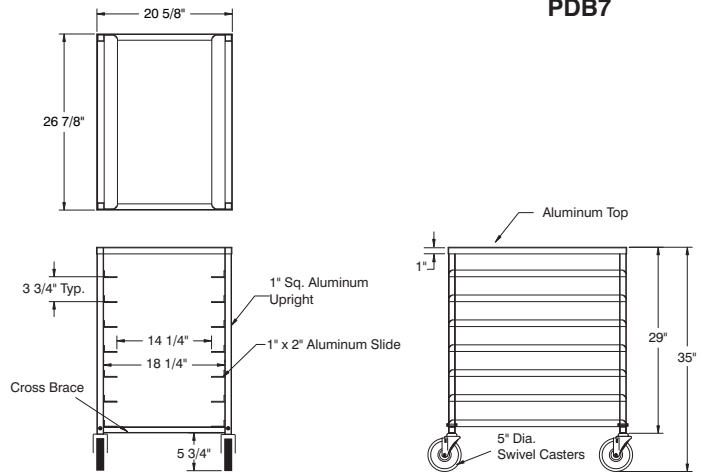
# DIMENSIONS and SPECIFICATIONS

TOL ± .50" ALL DIMENSIONS ARE TYPICAL

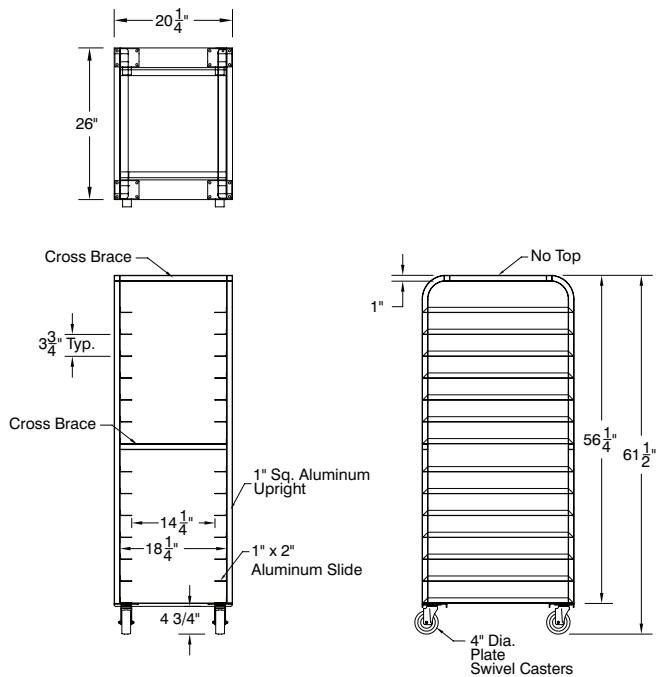
**PZ12**



**PDB7**



**PDB14 SERIES**



**PR10 SERIES**

