

APPLICATION:

JOB NAME:

QUANTITY: ITEM NO.

PRODUCT NAME:

SINGLE DECK DUAL CONTROL FAUCET

SPECIAL CONFIGURATION CHECK BASE MODEL AND OPTIONS

MODEL:

3115 W/ 12" SWIVEL GOOSENECK SPOUT

1872 W/ 6" SWIVEL GOOSENECK SPOUT

OPTIONS OR MODIFICATIONS:

SUPPLY LINES (24" OR 36") CIRCLE LENGTH

VANDAL RESISTANT KIT

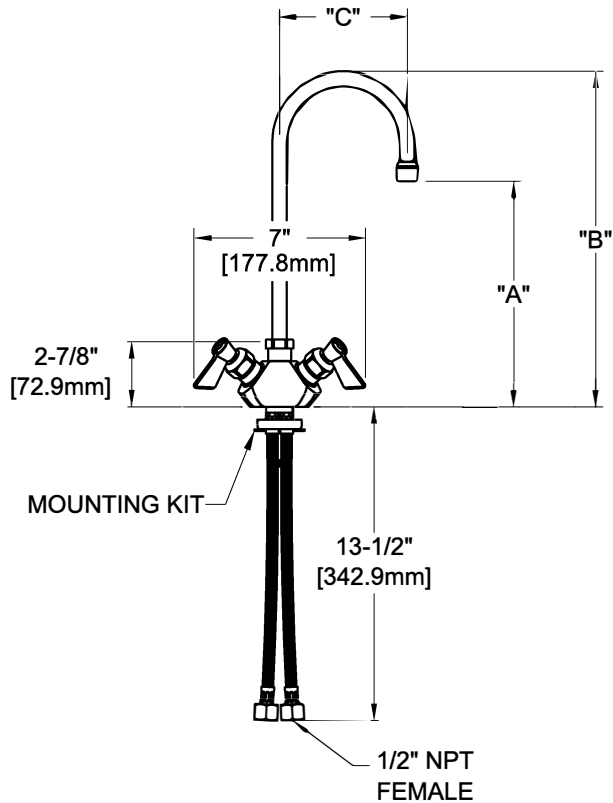
HANDLES (CROSS OR WRIST) CIRCLE STYLE

OTHER _____

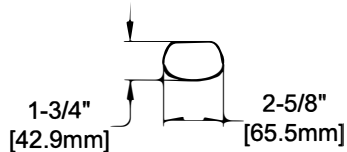
- FEATURES:
- * SINGLE DECK, DUAL CONTROL
 - * SWIVELING SEAT DISKS
 - * HOT SIDE STEM - RIGHT HAND
 - * COLD SIDE STEM - LEFT HAND
 - * STAINLESS STEEL SEATS
 - * STAINLESS STEEL SEAT SCREWS
 - * STAINLESS STEEL HANDLE SCREWS
 - * FLEXIBLE INLET HOSES
- SYSTEM LIMITS
- * TEMP: 40°F MIN. TO 140°F MAX.
 - * PRESSURE 200 PSI MAX. STATIC
 - * 2.20 GPM AT 80 PSI

SHIPPING WEIGHT

* 4.75 LBS



FOOTPRINT:



MODEL	DIM "A"	DIM "B"	DIM "C"
3115	10" [254.0mm]	14" [355.6mm]	5-1/2" [139.7mm]
1872	6" [152.4mm]	9-1/2" [241.3mm]	3-1/2" [88.9mm]

ROUGH-IN:

