

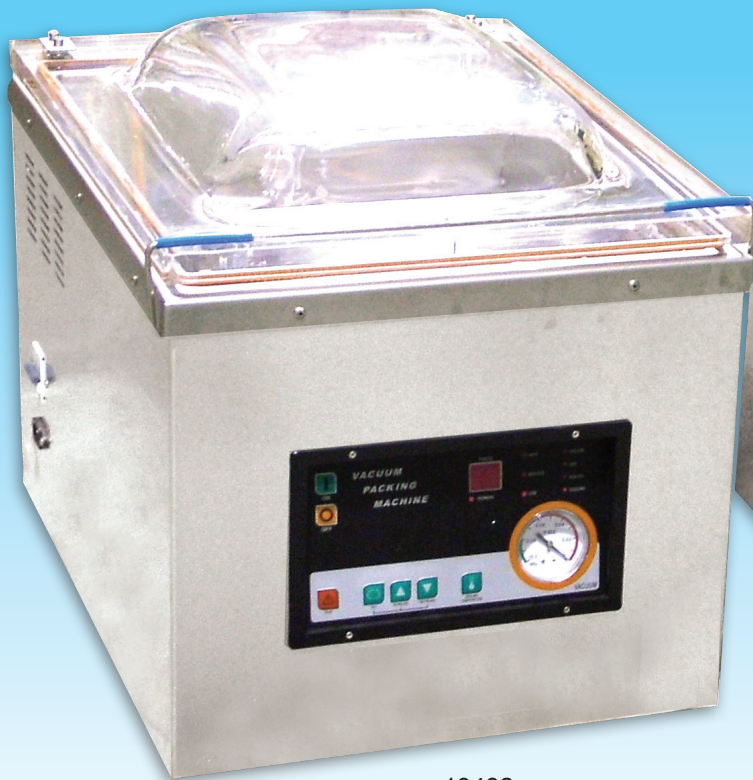


VACUUM PACKAGING

COUNTERTOP ECONOMY VACUUM PACKAGING MACHINE

Item: 19481 / 19842

Model: VP-CN-0749 / VP-CN-1066



19482
Model: VP-CN-1066



19481
Model: VP-CN-0749



LIMITED
WARRANTY
PARTS AND LABOR



Authorized Dealer

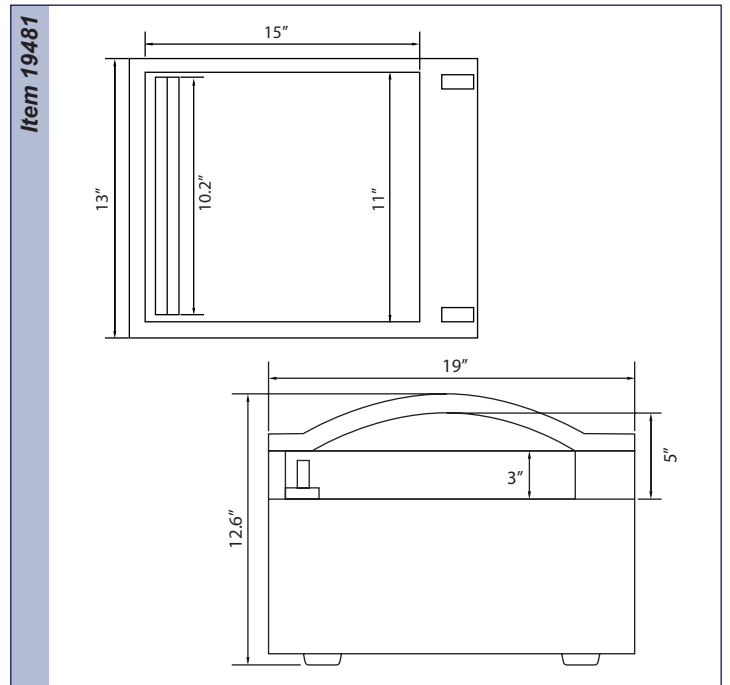
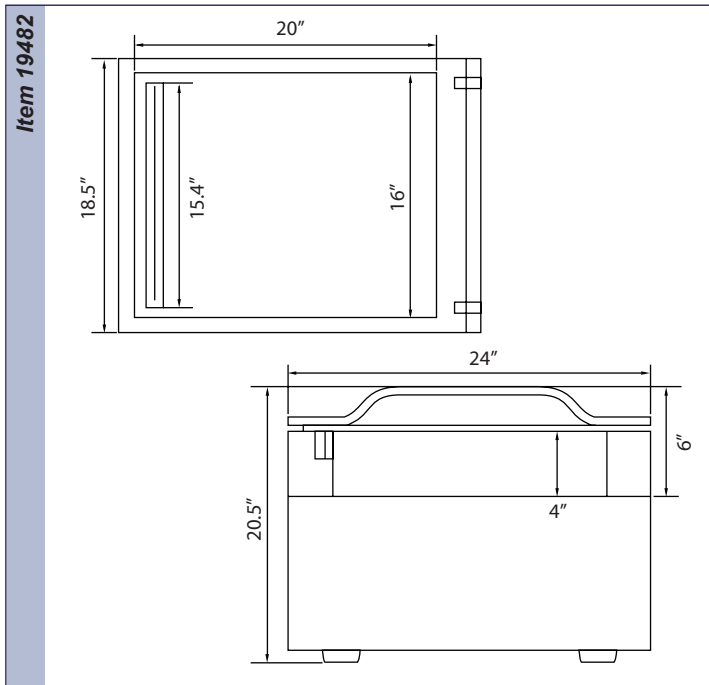
VACUUM PACKAGING

COUNTERTOP ECONOMY VACUUM PACKAGING MACHINE



Countertop Economy Vacuum Packaging Machines

These vacuum packaging machines are ideal for a variety of applications. The machines are equipped with a digital control panel that controls the sealing temperature, sealing time, drawing air time, and cooling time. Once the lid is closed, the machine automatically starts the sealing process.



| TECHNICAL SPECIFICATION | Countertop Economy Vacuum Packaging Machine with 1.2 HP | Countertop Economy Vacuum Packaging Machine with ½ HP |
|-------------------------|---|---|
| ITEM NUMBER | 19482 | 19481 |
| MODEL | VP-CN-1066 | VP-CN-0749 |
| POWER | 0.9 kw / 1.2 HP | 0.37 kw / 0.5 HP |
| SEAL BAR | 15.4" x 0.31" / 39cm x 0.8cm | 10.2" x 0.31" / 26cm x 0.8cm |
| CYCLE TIME | 23-25 seconds | 30 seconds |
| PUMP POWER | 20 m³/h | 10 m³/h |
| CHAMBER SIZE | 20" x 16" x 4" / 51cm x 40.6cm x 10.16cm | 15" x 11" x 3" / 18cm x 28cm x 7.6cm |
| ELECTRICAL | 110V / 60 / 1 | 110V / 60 / 1 |
| WEIGHT | 96.8 lbs / 44kg. | 79.2 lbs / 36kg. |
| GROSS WEIGHT | 170 lbs / 77 kg. | 96.8 lbs / 43 kg. |
| DIMENSIONS (DWH) | 24" x 18.5" x 20.5" / 61cm x 47cm x 52cm | 19" x 13" x 12.6" / 48cm x 33cm x 32cm |
| GROSS DIMENSIONS | 36" x 24" x 26" / 91.4cm x 61cm x 66cm | 22" x 17" x 15" / 55.9cm x 43cm x 38cm |

(We carry all size of vacuum packaging bags for the above models.)

OMCAN INC.

Telephone: 1-800-465-0234
 Fax: (905) 607-0234
 E-mail: sales@omcan.com
 Website: www.omcan.com



Follow us to keep up to date with the latest news and offers

