



C-DSA-24



Intertek

4004503

Conforms to NSF/ANSI STD 2
Certified to CSA STD B45.4



All faucets are NSF/ANSI 61, Annex G
low lead compliant

Specifications

Drain

- 1-1/2" I.P.S. Threaded drain will fit Dearborn part #8033 slipnut and part #W-573P washer.

Faucet

- "A" - 19" deep: backsplash mounted on 4" centers, 3/8" copper leads provided, hot and cold water connections required
- "B" - 24" deep: deck mounted on 4" centers, accepts 3/8" sink leads, hot and cold water connections required

Sink Bowl Dimensions

- 11" by 14" by 10-1/4" deep

Legs

- 1-5/8" diameter, 16 gauge stainless steel
- Stainless steel bullet feet

Materials

- 20 gauge stainless steel

Project: _____	AIA# _____
Item #: _____ Qty: _____	SIS# _____
Model #: _____	

Two Compartment Sinks

C-DS

See reverse side for model number key

Standard Features

- All stainless steel construction
- Adjustable stainless steel bullet feet
- One-piece seamless top and backsplash featuring 1/4" radius corners for easy cleaning
- 20 gauge stainless steel fabricated sink bowls
- 11" by 14" by 10-1/4" deep sink bowl with hot and cold water faucet
- Extra wide sink bowl easily accommodates brush washer
- Perforated stainless steel inserts are available to cover sinks when not in use
- One over-flow tube per sink bowl included

Product Information

Two Compartment Sinks feature a one-piece stainless steel top that is seamless all the way through the backsplash. The corrugated drainboards, where included, are a seamless and integral part of the work surface. The seamless welded bowls are 20 gauge fabricated stainless steel. An 'L' or 'R' suffix in the model number designates the location of the sink compartment as left or right when there is only one drainboard.

Configurable Options

C-LSA-D	Left side splash for 19" (A) deep models
C-RSA-D	Right side splash for 19" (A) deep models
C-LSB-D	Left side splash for 24" (B) deep models
C-RSB-D	Right side splash for 24" (B) deep models

Accessories

C-SR-X	Single speed rail, where X is specified as the length in inches
C-DR-X	Double speed rail, where X is specified as the length in inches
TR	Towel ring
03002552	Sink cover, perforated, for C-DS models

To view cleaning and care instructions, please visit:
https://glastender.com/PDF/F-423-011_ss_clean_care.pdf

Glastender, Inc. • 5400 North Michigan Road • Saginaw, MI • 48604-9780
989.752.4275 • 800.748.0423 • Fax 989.752.4444
<https://glastender.com>

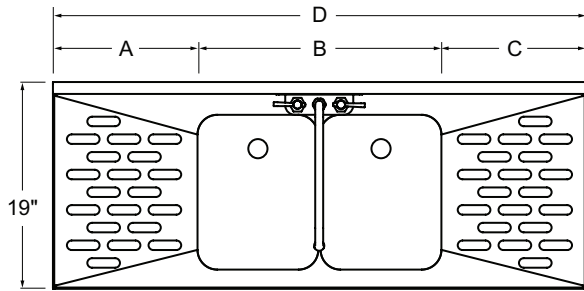
Approval/Notes:

Specifications subject to change without notice. For current specifications please visit our website.

Choice Two Compartment Sinks

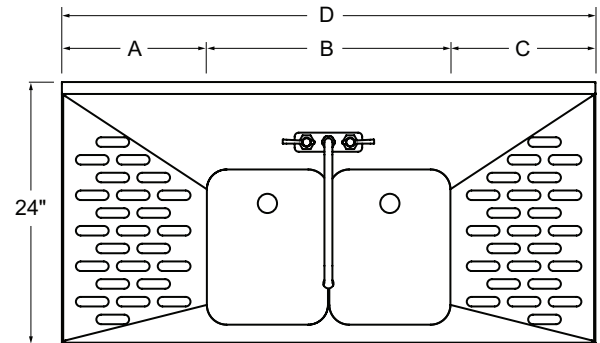
Dimensional Information

"A" Depth-19" Deep Models



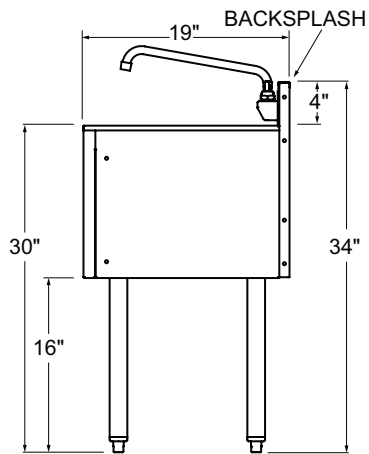
PLAN VIEW

"B" Depth-24" Deep Models



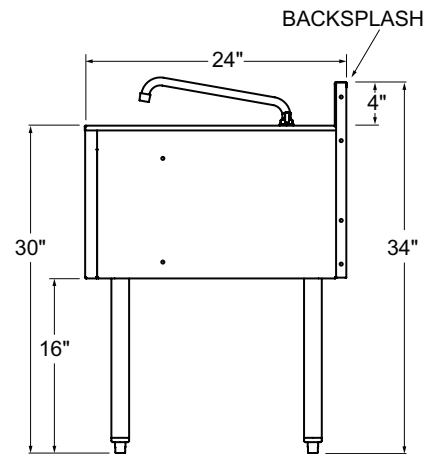
PLAN VIEW

"A" Depth-19" Deep Models



SIDE ELEVATION

"B" Depth-24" Deep Models



SIDE ELEVATION

19" Deep Models	24" Deep Models	A	B	C	D	No. of Sink Bowls	Sink Location
C-DSA-24	C-DSB-24	N/A	24"	N/A	24"	2	Center
C-DSA-36L	C-DSB-36L	N/A	24"	12"	36"	2	Left
C-DSA-36R	C-DSB-36R	12"	24"	N/A	36"	2	Right
C-DSA-48	C-DSB-48	12"	24"	12"	48"	2	Center