



Profit from the Eagle Advantage®

Specification Sheet

Short Form Specifications

Eagle Pizza Carry-Out Workstation, model TSP1448Z, to consist of four 1448Z EAGLEbrite® zinc-plated shelves with 74" EAGLEbrite® zinc-plated posts, and four pizza box dividers (typically mounted to top shelf).



(shown propped)

Options / Accessories

- Foot plates
- Shelf ledges
- Shelf dividers
- Plastic shelf markers
- Enclosure panels
- Add'l pizza box dividers

EAGLE GROUP

100 Industrial Boulevard, Clayton, DE 19938-8903 USA
 Phone: 302-653-3000 • 800-441-8440 • Fax: 302-653-2065
www.eaglegrp.com
www.eaglegrpnews.com
www.eaglegrpnews.com
www.eaglegrpnews.com

For custom configuration or fabrication needs, contact our **SpecFAB® Division**.
 Phone: 302-653-3000 • Fax: 302-653-2065 • e-mail: quotes@eaglegrp.com

Item No.:	_____
Project No.:	_____
S.I.S. No.:	_____

Pizza Carry-Out Workstation

MODELS:

- TSP1448Z

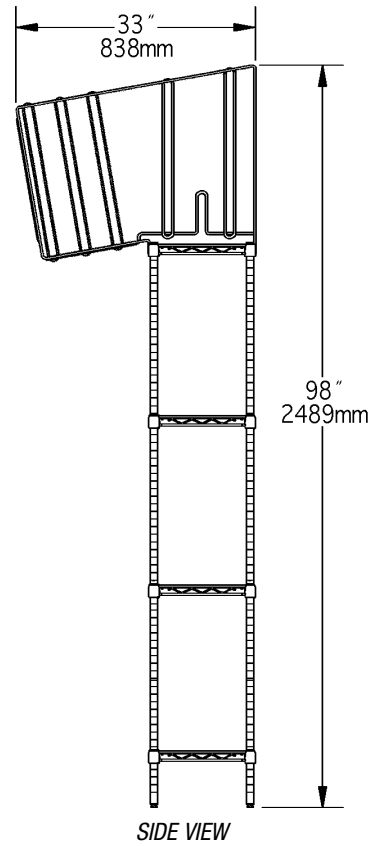
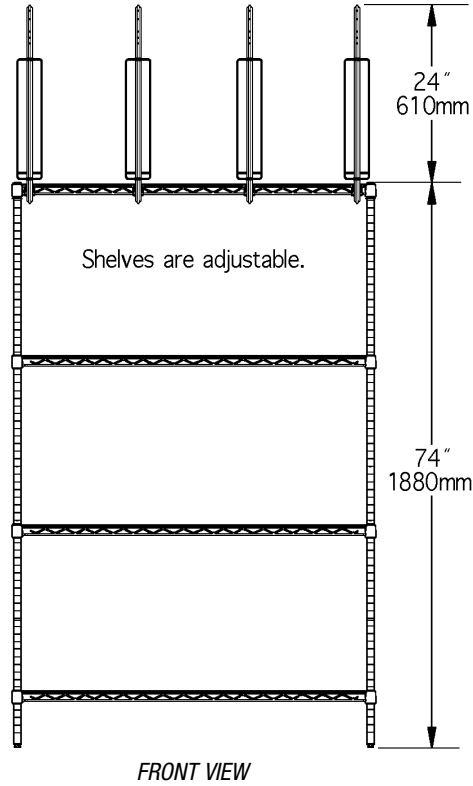
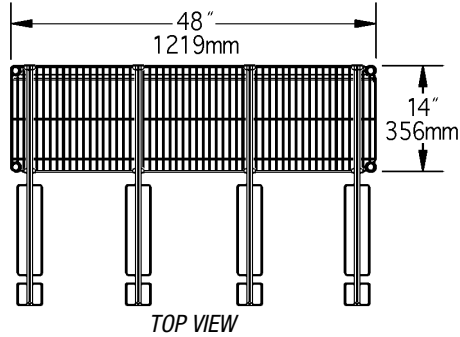
- Flexible design allows for custom look using standard components.
- Keeps boxes organized, minimizing damage to boxes.
- Four 14" x 48" (356 x 1219mm) wire shelves with patented QuadTruss® design (patent #5,390,803). Shelf heights can be adjusted.
- Four gravity-feed pizza box dividers with mounting hardware included.
- 74" (1880mm) post height.
- 98" (2489mm) overall height.
- All posts are numbered and grooved at 1" (25mm) increments for fast and level assembly.
- All components are EAGLEbrite® zinc-plated.





Item No.: _____
 Project No.: _____
 S.I.S. No.: _____

Pizza Carry-Out Workstation



model #	width *		length		height *		weight	
	in.	mm	in.	mm	in.	mm	lbs.	kg
TSP1448Z	14"	356	48"	1219	74"	1880	94	42.6

* Excludes pizza box dividers. With pizza box dividers mounted, dimensions are 33" x 48" x 98" (838 x 1219 x 2489mm).

EAGLE GROUP
 100 Industrial Boulevard, Clayton, DE 19938-8903 USA
 Phone: 302-653-3000 or 800-441-8440 • Fax: 302-653-2065
 www.eaglegrp.com • www.eaglegrpnews.com • www.eaglehmc.com

Printed in U.S.A.
 ©2023 by Eagle Group
 Rev. 06/23

Spec sheets available for viewing, printing or downloading from our online literature library at our websites

Although every attempt has been made to ensure the accuracy of the information provided, we cannot be held responsible for typographical or printing errors. Information and specifications are subject to change without notice. Please confirm at time of order.