

FINISH:

- Clear Anodized Aluminum
- Brushed Stainless Steel
- Powder Coat:
 - Black
 - Silver

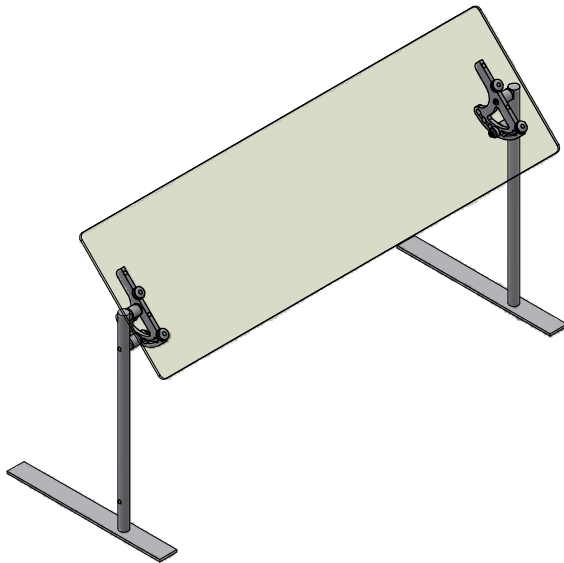
RAL # _____

GLASS (Clear Tempered):

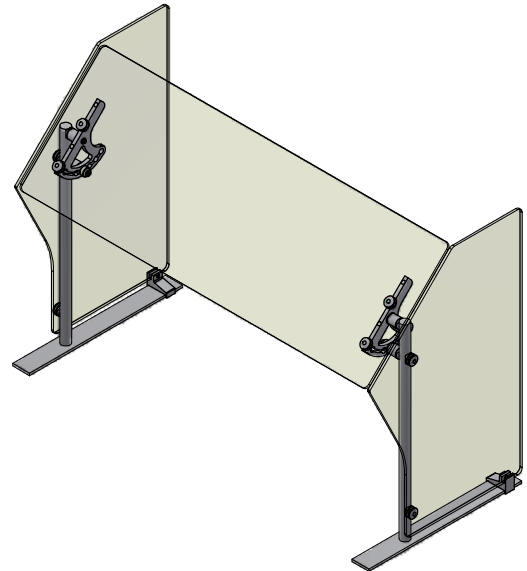
- 1/4" Front - Std
 - 3/8" Front
- Clear Tempered Glass with Ground & Polished Edges and Rounded Corners

OPTIONS:

- 1 End Panel
- 2 End Panels



Basic Models Ship Without End Panels. If End Panels are Required, Order the Number of End Panel Kits Desired



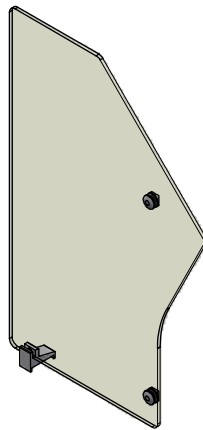
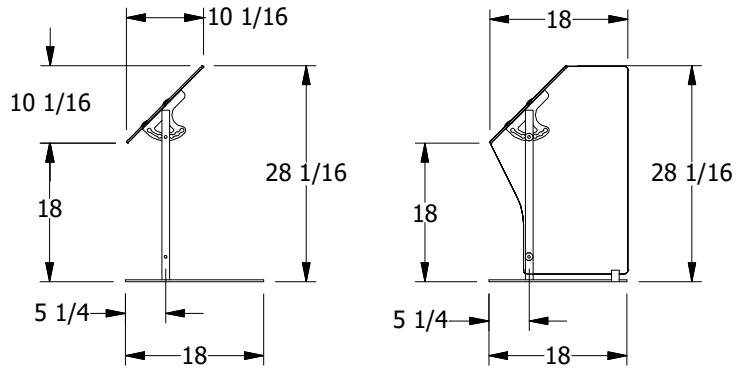
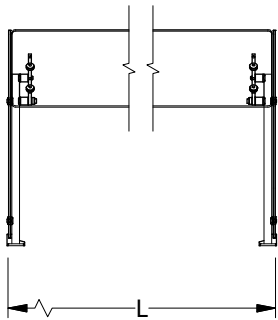
End Panels are 1/4" Clear Tempered Glass Unless Otherwise Specified.

PART #	DESCRIPTION:
VG3-P-SP-24	24" OA = 20" Clear = 23" Glass - 1/4" Thick
VG3-P-SP-30	30" OA = 26" Clear = 29" Glass - 1/4" Thick
VG3-P-SP-36	36" OA = 32" Clear = 35" Glass - 1/4" Thick
VG3-P-SP-42	42" OA = 38" Clear = 41" Glass - 1/4" Thick
VG3-P-SP-48	48" OA = 44" Clear = 47" Glass - 1/4" Thick
VG3-P-SP-54	54" OA = 50" Clear = 53" Glass - 3/8" Thick
VG3-P-SP-60	60" OA = 54" Clear = 59" Glass - 3/8" Thick

**Max Recommended Length for any Glass Panel is 60" (3/8" Glass)

- End Panels are 1/4" Glass - Can be Added On-site
- Vertical Clearance Range is 15-5/8" to 22-5/8"
- Mounting Base is 2" Wide x 18" Deep
- 1"Ø CNC-Machined Solid Support Posts
- CNC-Machined Component Hardware

-Overall Dimensions -
 L - 48" Max (1/4" Glass)
 - 60" Max (3/8" Glass)



End Panel Kit

GLASS ADJUSTMENT POSITIONS

