



STAINLESS STEEL
LAVATORY SINKS
A.D.A COMPLIANT



Conforms To NSF 61/9 Lead Free Requirements

HEAVY DUTY DESIGN!



7-PS-LAV-1
Single Center Hole



7-PS-LAV-4
Three 4" O.C. Holes



7-PS-LAV-8
Three 8" O.C. Holes

Item #: _____ Qty #: _____

Model #: _____

Project #: _____

FEATURES:

Heavy duty, 16 gauge, Type 304 Stainless steel.
 Fabricated 16" x 11-1/2" x 5-1/2" Sink bowl.
 One-piece design with side supports.
 2" stainless steel drain with overflow, tailpiece & strainer plate.
 Marine "No-Drip" edge on 3 sides.
 A.D.A. Compliant.

Faucet Hole Configuration Models (Faucet not included):

7-PS-LAV-1 Single center hole for faucet.

7-PS-LAV-4 3 faucet holes. 4" O.C.

7-PS-LAV-8 3 faucet holes. 8" O.C.

CONSTRUCTION:

All TIG welded.
 Welded areas blended to match adjacent surfaces and to a satin finish.
 Body made from one sheet of stainless steel.

MATERIAL:

16 gauge, type 304 series stainless steel.
 Wall mounting bracket is Galvanized and of offset design.

MECHANICAL:

1-1/2" I.P.S. stainless steel drain.

OPTIONS & ACCESSORIES



6" Extended Swing Spout Faucet
 Deck Mounted.
 6" extended "D" spout.
 Wrist handles.
K-208



8" Swing Spout Faucet
 Deck Mounted.
 8" swing spout.
 Blade style handles.
K-50



Metered Faucet
 Deck Mounted.
 10 to 30 seconds metering cycle.
 Mixing valve.
 Adjustable metering cycle.
K-190



5" Gooseneck Electronic Faucet
 Hands-Free.
 Deck Mounted.
 A/C or Battery Powered.
K-180



Electronic Soap Dispenser
 Wall Mounted.
 A/C or Battery Powered.
 Includes Bracket & Hardware.
 Uses Liquid Soap.
7-PS-12E



Stainless Steel Soap Dispenser
 Wall Mounted.
 Uses Liquid Soap.
K-13



Wall Mounted Paper Towel Dispenser
 Holds C-Fold Style Towels
7-PS-35



Fixed Spout Electronic Faucet
 Hands-Free.
 Deck Mounted.
 A/C or Battery Powered.
K-183



Customer Service Available To Assist You **1-800-645-3166** 8:30 am - 7:00 pm E.S.T.

For Orders & Customer Service:

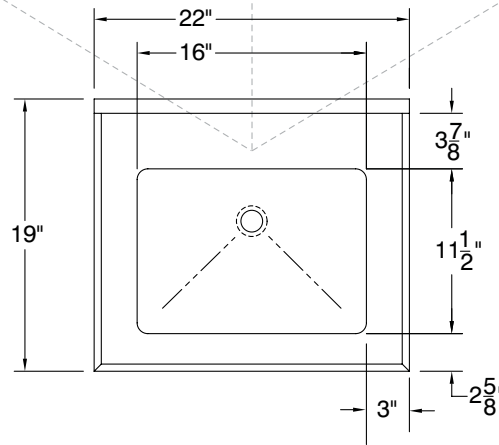
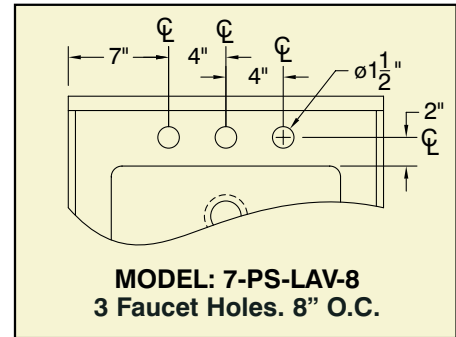
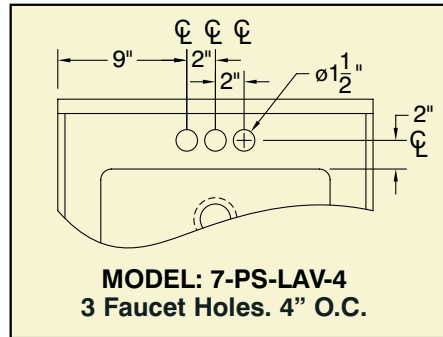
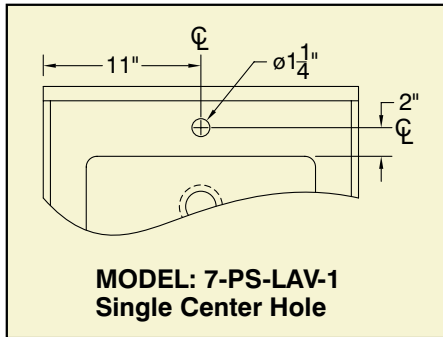
Email: customer@advancetabco.com or Fax: 631-242-6900

For Smart Fabrication™ Quotes:

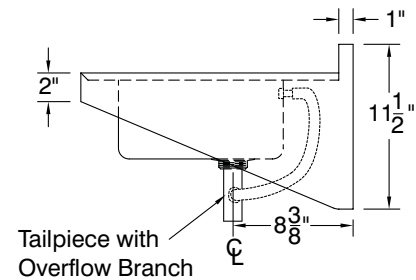
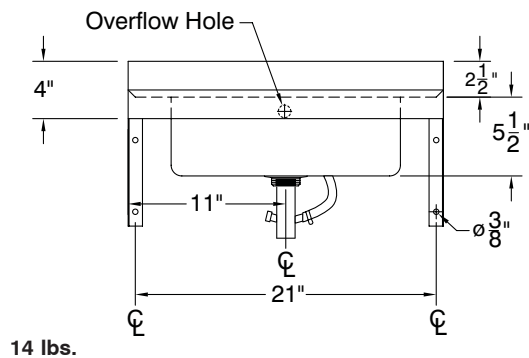
Email: smartfab@advancetabco.com or Fax: 631-586-2933

DIMENSIONS and SPECIFICATIONS

FAUCET HOLE CONFIGURATIONS



Faucet Not Included.
See Page 1 or visit us
on the web for more
faucet options!
advancetabco.com



⚠ WARNING:
Equipment that includes a faucet may expose you to chemicals, including lead, that are known to the State of California to cause cancer or birth defects or other reproductive harm. For more Info., visit www.p65warnings.ca.gov.

