



T&S BRASS AND BRONZE WORKS, INC.

2 Saddleback Cove / P.O. Box 1088
Travelers Rest, SC 29690

Model No.

B-0167

Item No.

Travelers Rest, SC: 800-476-4103 • Simi Valley, CA: 800-423-0150 • Fax: 864-834-3518 • www.tsbrass.com

This Space for Architect/Engineer Approval

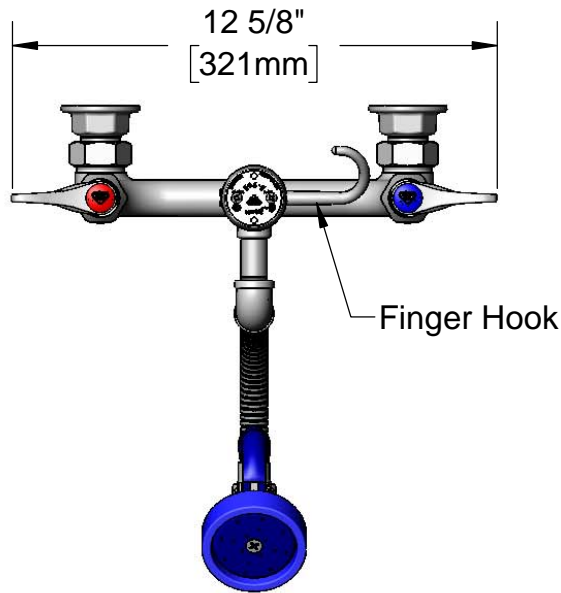
Job Name _____ Date _____

Model Specified _____ Quantity _____

Customer/Wholesaler _____

Contractor _____

Architect/Engineer _____

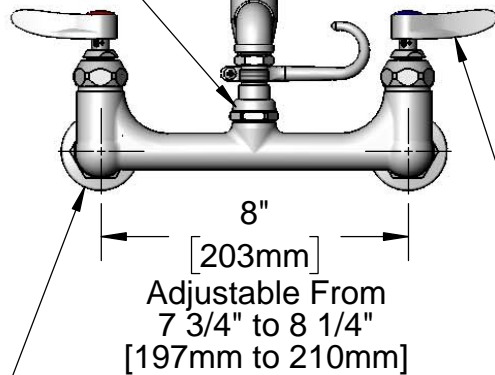


Items Not Shown
For Clarity

EasyInstall
Lock Nut &
Bushing

EB-0107-035
High Flow
Angled
Spray Valve

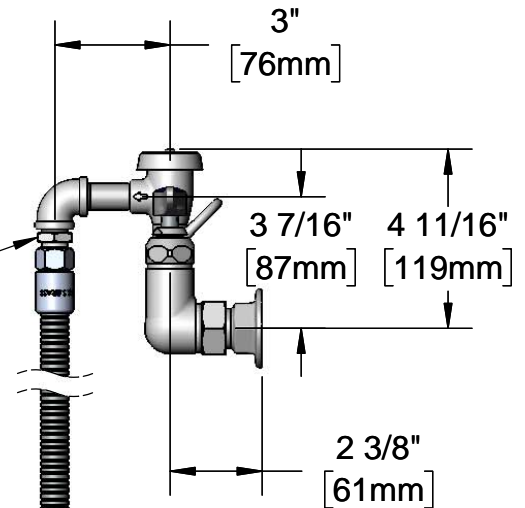
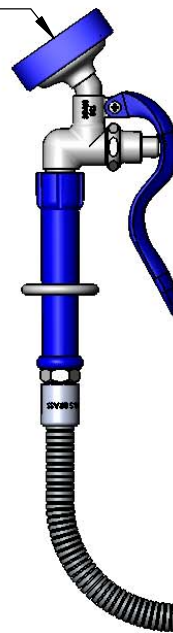
B-0968
3/8" NPT
Vacuum Breaker



Ø 2" [51mm]
Flanges w/
1/2" NPT
Female Inlets

Quarter-Turn
Eterna Cartridges w/
Spring Checks &
Lever Handles w/
Color Coded Indexes

3/8" NPT x
3/4-14 UN Adapter



68" Flexible
Stainless
Steel Hose

Product Specifications:

8" Wall Mount Mixing Faucet, Quarter-Turn Eterna Cartridges w/ Spring Checks, Lever Handles, 3/8" NPT Vacuum Breaker, High Flow Angled Spray Valve w/ 68" Flexible Stainless Steel Hose & 1/2" NPT Female Inlet

Product Compliance:

ASME A112.18.1 / CSA B125.1
NSF 61 - Section 9
NSF 372 (Low Lead Content)
EPA Act 2005 Non-Compliant (PRSV)
ASSE 1001



T&S BRASS AND BRONZE WORKS, INC.

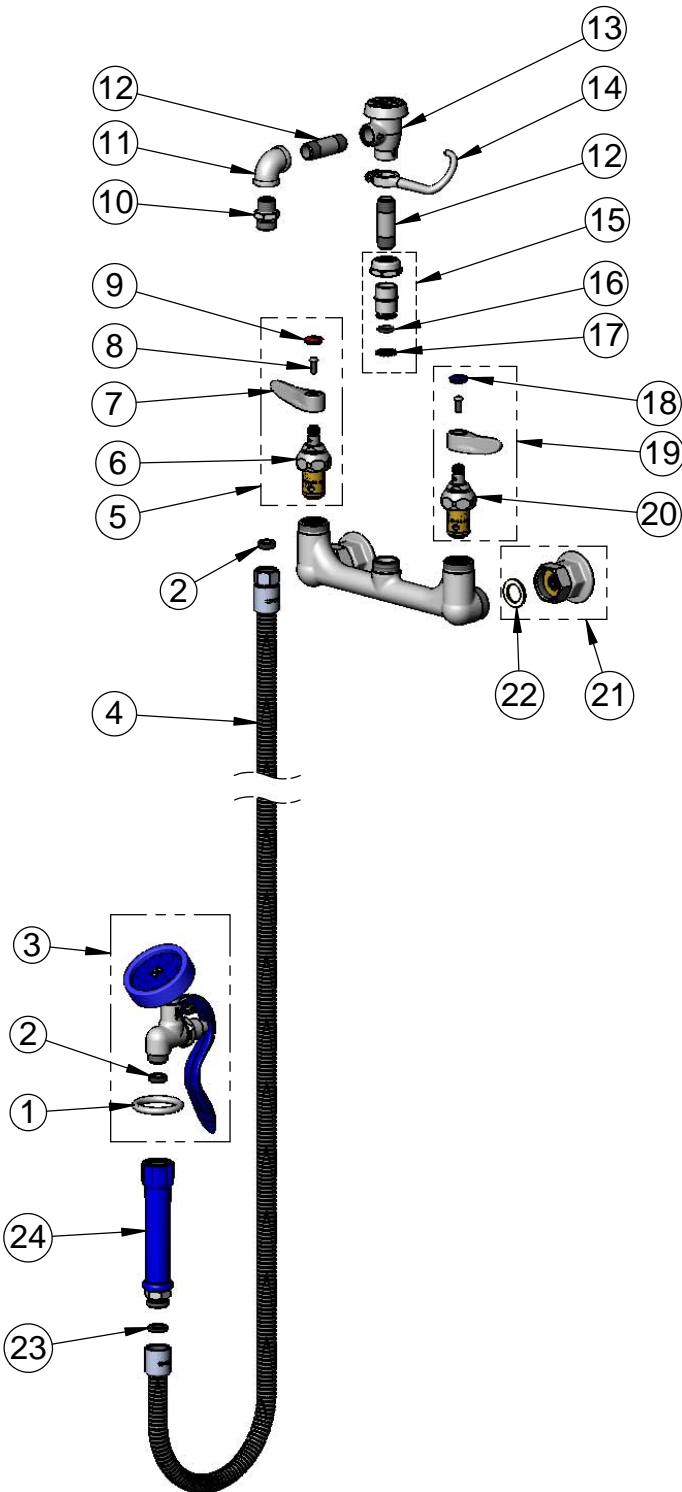
2 Saddleback Cove / P.O. Box 1088
Travelers Rest, SC 29690

Model No.

B-0167

Item No.

Travelers Rest, SC: 800-476-4103 • Simi Valley, CA: 800-423-0150 • Fax: 864-834-3518 • www.tsbrass.com



ITEM NO.	SALES NO.	DESCRIPTION
1	000907-45	Spray Valve Hold Down Ring
2	010476-45	#27 Washer
3	EB-0107-035	High Flow Angled Spray Valve (Blue)
4	B-0068-H2A	68" Flexible SS Hose, Less Handle
5	002712-40NS	Quarter-Turn Eterna Cartridge w/ Spring Check, Handle, Red Index & Screw, RTC
6	012443-40NS	Quarter-Turn Eterna Cartridge w/ Spring Check, RTC
7	001638-45NS	Lever Handle (New Style)
8	000925-45	Lab Handle Screw
9	001193-19NS	Red Button Index, Press-in
10	053A	Adapter, 3/8" NPT Male
11	001355-40	Elbow, 3/8 NPT
12	000357-40	Nipple, 3/8" NPT x 2"
13	B-0968	3/8" NPT Vacuum Breaker
14	004R	Finger Hook
15	EZ-K	EasyInstall Kit
16	001065-45	O-ring
17	014200-45	Star Washer, Anti-Rotation
18	018506-19NS	Blue Button Index, Press-in
19	002711-40NS	Quarter-Turn Eterna Cartridge w/ Spring Check, Handle, Blue Index & Screw, LTC
20	012442-40NS	Quarter-Turn Eterna Cartridge w/ Spring Check, LTC
21	00AA	1/2" NPT Female Eccentric Flange
22	001019-45	Coupling Nut Washer
23	001014-45	Washer, B-0100 Hose Barrel
24	011482-45	Blue Grip Handle

Product Specifications:

8" Wall Mount Mixing Faucet, Quarter-Turn Eterna Cartridges w/ Spring Checks, Lever Handles, 3/8" NPT Vacuum Breaker, High Flow Angled Spray Valve w/ 68" Flexible Stainless Steel Hose & 1/2" NPT Female Inlet

Product Compliance:

ASME A112.18.1 / CSA B125.1
NSF 61 - Section 9
NSF 372 (Low Lead Content)
EPA Act 2005 Non-Compliant (PRSV)
ASSE 1001