

APPLICATION:
 JOB NAME:
 QUANTITY: ITEM NO.

PRODUCT NAME:
DrainKing WASTE VALVE
 SPECIAL CONFIGURATION
 CHECK BASE MODEL AND OPTIONS

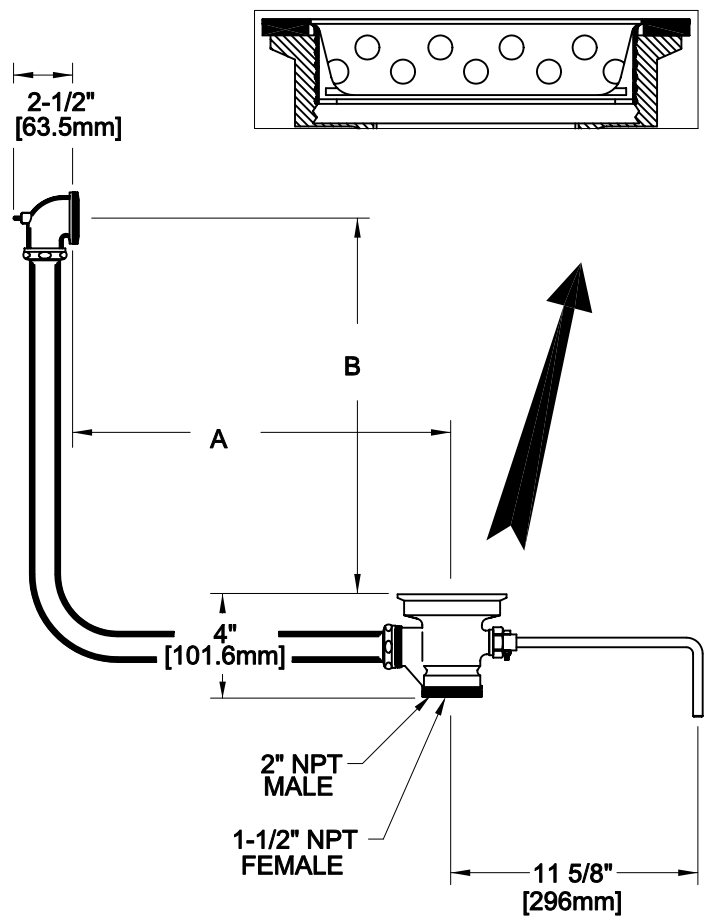
MODEL:
 22314 w/ LOCKING BASKET STRAINER & 19" X 21" OVERFLOW
 22330 w/ LOCKING BASKET STRAINER & 14" X 16" OVERFLOW

OPTIONS OR MODIFICATIONS:
 OTHER _____

FEATURES:
 * DUAL TEFLON SEALS
 * STAINLESS STEEL BALL
 * CAST RED BRASS BODY
 * EXTRA SURDY STAINLESS STEEL CLAMPING RING
 * "CLEAR THROUGH" OPENING, NO NEED TO DISASSEMBLE IF SNAKING IS REQUIRED
 * INDUSTRY STANDARD "SEALING" ANGLE - FITS FLUSH TO STANDARD STAINLESS STEEL SINKS
 * STAINLESS STEEL FLAT STRAINER
 * 1/4 TURN FULLY OPENS AND CLOSES VALVE

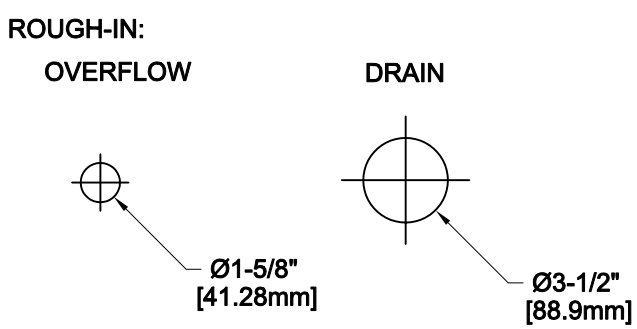
DRAIN RATE:
 * 12 GPM

SHIPPING WEIGHT
 * 10.0 LBS



MODEL	19" X 21"	
	DIM "A"	DIM "B"
22314	19" [482.6mm]	19-1/4" [489.0mm]

MODEL	14" X 16"	
	DIM "A"	DIM "B"
22330	14" [355.6mm]	14-1/4" [362.0mm]



ANSI/A112.18.1M

FISHER
 FISHER MANUFACTURING COMPANY
 TOLL FREE: 800-421-6162 - FAX: 800-832-8238
 information@fisher-mfg.com - www.fisher-mfg.com