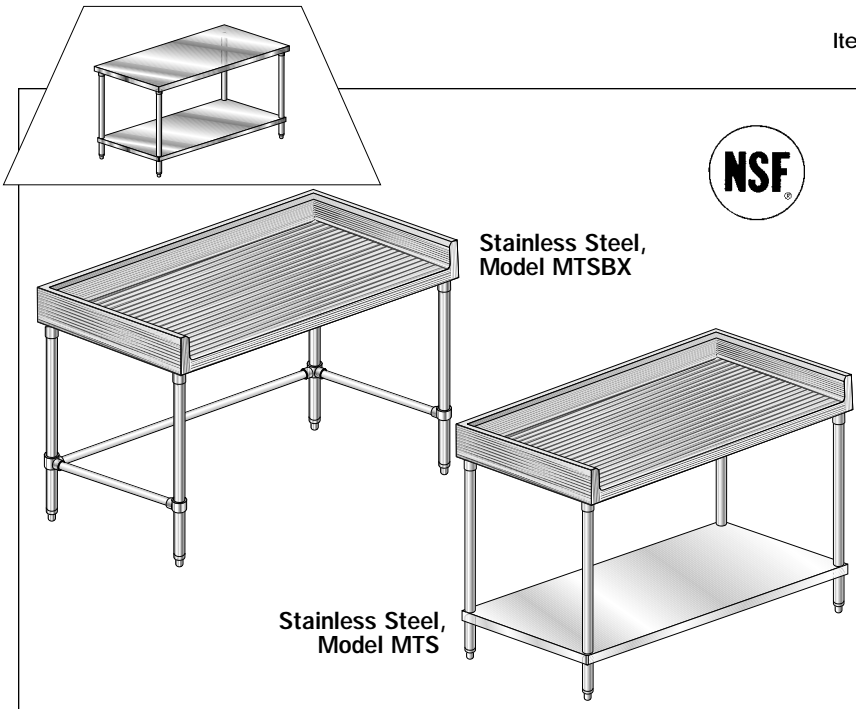




WORK TABLE

MTGB/MTGBX & MTSB/MTSBX SERIES Maple Top, 4" Backsplash

Item# _____ Project _____



Quantity	GALVANIZED Model #	STAINLESS STEEL Model #
30" WIDE		
—	MTGB-3048	MTSB-3048
—	MTGB-3060	MTSB-3060
—	MTGB-3072	MTSB-3072
—	MTGB-3084	MTSB-3084
—	MTGB-3096	MTSB-3096

36" WIDE		
—	MTGB-3648	MTSB-3648
—	MTGB-3660	MTSB-3660
—	MTGB-3672	MTSB-3672
—	MTGB-3684	MTSB-3684
—	MTGB-3696	MTSB-3696

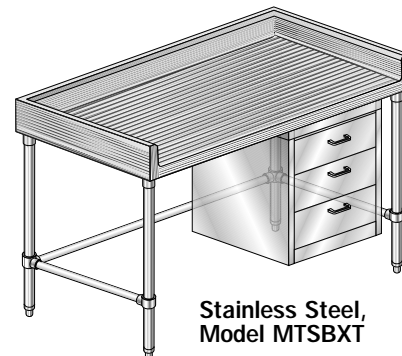
MTGBX/MTSBX		
Quantity	GALVANIZED Model #	STAINLESS STEEL Model #
30" WIDE		
—	MTGBX-3048	MTSBX-3048
—	MTGBX-3060	MTSBX-3060
—	MTGBX-3072	MTSBX-3072
—	MTGBX-3084	MTSBX-3084
—	MTGBX-3096	MTSBX-3096

36" WIDE		
—	MTGBX-3648	MTSBX-3648
—	MTGBX-3660	MTSBX-3660
—	MTGBX-3672	MTSBX-3672
—	MTGBX-3684	MTSBX-3684
—	MTGBX-3696	MTSBX-3696

Three Tier Drawer Maple Tables

Quantity	GALVANIZED Model #	STAINLESS STEEL Model #
30" WIDE		
—	MTGBXT-3048	MTSBXT-3048
—	MTGBXT-3060	MTSBXT-3060
—	MTGBXT-3072	MTSBXT-3072
—	MTGBXT-3084	MTSBXT-3084
—	MTGBXT-3096	MTSBXT-3096

36" WIDE		
—	MTGBXT-3648	MTSBXT-3648
—	MTGBXT-3660	MTSBXT-3660
—	MTGBXT-3672	MTSBXT-3672
—	MTGBXT-3684	MTSBXT-3684
—	MTGBXT-3696	MTSBXT-3696



Stainless Steel, Model MTSBXT

MATERIAL

TOP

- 1 1/4" thick laminated hard maple block with 4" risers with NSF coved corners.

SHELF

- 18 gauge galvanized or stainless steel. (MTGB, MTSB models only)

CROSSBRACING

- 16 gauge 1 1/4" O.D. galvanized or stainless steel using 1 1/8" I.D. aluminum castings at all intersections (MTGBX, MTGBXT, MTSBX, MTSBXT models only).

LEGS

- 1 1/8" O.D. 16 gauge galvanized steel or stainless steel tubing, complete with 1" adjustable, impact resistant, plastic or white metal feet.

DESIGN FEATURES

- Undershelf is the largest in the industry.
- Undershelf is fully adjustable and flexible in design.
- Easily assembled.

CONSTRUCTION

- Heliarc welded construction creates uniform, rock-solid unit.
- Stainless steel gussets fully welded to eliminate damage to table top.

- All tables shipped K.D.

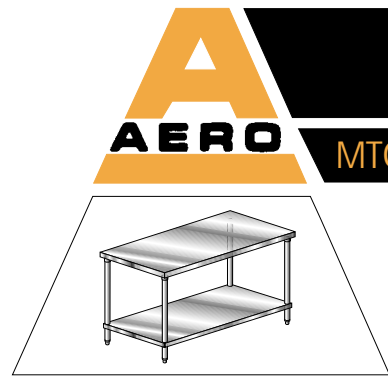
THREE TIER DRAWER UNIT (MTGBXT & MTSBXT)

- Three 20" x 15" x 5" drawer mounted on roller bearing slides.
- Undershelf is optional with this unit.
- Specify right or left side for location of drawer unit.
- Drawer unit shipped fully assembled.

CUSTOM SIZES AVAILABLE

email - sales@aeromfg.com

AERO MANUFACTURING COMPANY • 310 ALLWOOD ROAD, CLIFTON, NEW JERSEY 07012 • VOICE 973.473.5300 FAX 973.473.3794



DIMENSIONAL SPECIFICATIONS

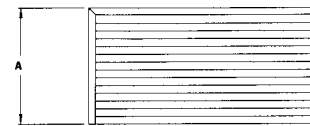
MTGB/MTGBX & MTSB/MTSBX SERIES Maple Top, 4" Backsplash



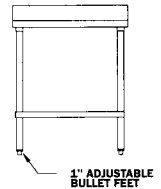
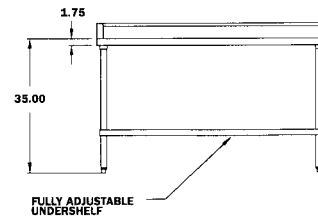
- Tables over 72" in length are shipped with six legs.
- All feet have a full 1" adjustability.

MTGB/MTSB

A Width	B Length	GALVANIZED Model #	STAINLESS STEEL Model #	Ship Weight	Cubic Feet
30" WIDE					
30	48	MTGB-3048	MTSB-3048	120	7
30	60	MTGB-3060	MTSB-3060	150	8
30	72	MTGB-3072	MTSB-3072	180	10
30	84	MTGB-3084	MTSB-3084	210	12
30	96	MTGB-3096	MTSB-3096	240	13



Model MTSB

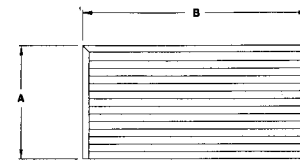


36" WIDE

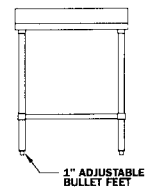
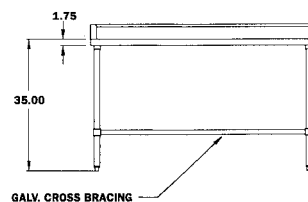
36	48	MTGB-3648	MTSB-3648	130	8
36	60	MTGB-3660	MTSB-3660	160	10
36	72	MTGB-3672	MTSB-3672	190	12
36	84	MTGB-3684	MTSB-3684	220	14
36	96	MTGB-3696	MTSB-3696	250	16

MTGBX/MTSBX

A Width	B Length	GALVANIZED Model #	STAINLESS STEEL Model #	Ship Weight	Cubic Feet
30" WIDE					
30	48	MTGBX-3048	MTSBX-3048	120	7
30	60	MTGBX-3060	MTSBX-3060	150	8
30	72	MTGBX-3072	MTSBX-3072	180	10
30	84	MTGBX-3084	MTSBX-3084	210	12
30	96	MTGBX-3096	MTSBX-3096	240	13



Model MTGBX

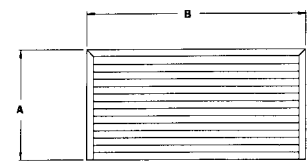


36" WIDE

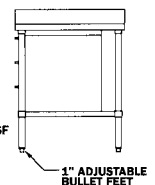
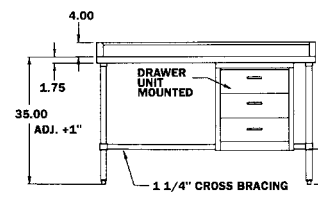
36	48	MTGBX-3648	MTSBX-3648	130	8
36	60	MTGBX-3660	MTSBX-3660	160	10
36	72	MTGBX-3672	MTSBX-3672	190	12
36	84	MTGBX-3684	MTSBX-3684	220	14
36	96	MTGBX-3696	MTSBX-3696	250	16

Three Tier Drawer Maple Tables

A Width	B Length	GALVANIZED Model #	STAINLESS STEEL Model #	Ship Weight	Cubic Feet
30" WIDE					
30	48	MTGBXT-3048	MTSBXT-3048	160	25
30	60	MTGBXT-3060	MTSBXT-3060	200	31
30	72	MTGBXT-3072	MTSBXT-3072	240	38
30	84	MTGBXT-3084	MTSBXT-3084	280	44
30	96	MTGBXT-3096	MTSBXT-3096	320	50



Model MTSBXT



36" WIDE

36	48	MTGBXT-3648	MTSBXT-3648	170	30
36	60	MTGBXT-3660	MTSBXT-3660	210	38
36	72	MTGBXT-3672	MTSBXT-3672	250	45
36	84	MTGBXT-3684	MTSBXT-3684	290	53
36	96	MTGBXT-3696	MTSBXT-3696	330	60

All dimensions are typical (tol. ±1/2"). • For Accessories and Options see pages TS-5A & TS-5B.

email - sales@aeromfg.com

AERO MANUFACTURING COMPANY • 310 ALLWOOD ROAD, CLIFTON, NEW JERSEY 07012 • VOICE 973.473.5300 FAX 973.473.3794