



X-LARGE CAPACITY ROTISSERIE - SOLID BACK -  
TOUCHSCREEN CONTROLS - CURVED GLASS

# VGG-8-C



VGG-8-F model shown

Ideal for supermarkets and high-volume restaurants, the BKI® VGG-8-C has an extra-large cooking capacity that will meet growing customer demand and improve profitability. This rotisserie can cook up to up to 40 3-lb (1.36 kg) chickens in 75 minutes. The results are delicious—moist and tender inside and perfectly golden brown outside.

The bright touchscreen display makes operation a breeze with true one-touch cooking. Store up to 15 customizable menu programs that can be locked to protect important settings. Select English or Spanish with the new bilingual feature.

Innovative safety features include cool-door technology and sensors that stop rotation when the door is opened.

Whether poultry, pork, beef, vegetables, or your own specialty, the VGG-8-C is sure to maximize customer satisfaction and produce uniform, consistent results every time.

## FEATURES AT A GLANCE

- Touchscreen controls
- Curved glass doors
- Lighted cavity to attract customer attention
- Easy-to-clean interior
- 15 program modes with pre-heat and hold capability
- Cool door for safety
- Solid back design
- 100% hand built in the U.S.A.



### PRODUCT CAPACITY

Cooks up to 40 3-lb (1.36 kg) chickens in 75 minutes at the touch of a button.



### ELECTRIC OPERATION

Energy efficiency and easy installation are a perfect pairing for your food service operation.



### TOUCHSCREEN CONTROLS

True one-touch process controls ensure menu items are perfectly cooked.



### COOL-DOOR SAFETY

Double doors insulate to prevent burns; sensors stop rotation and cooking when door is opened.

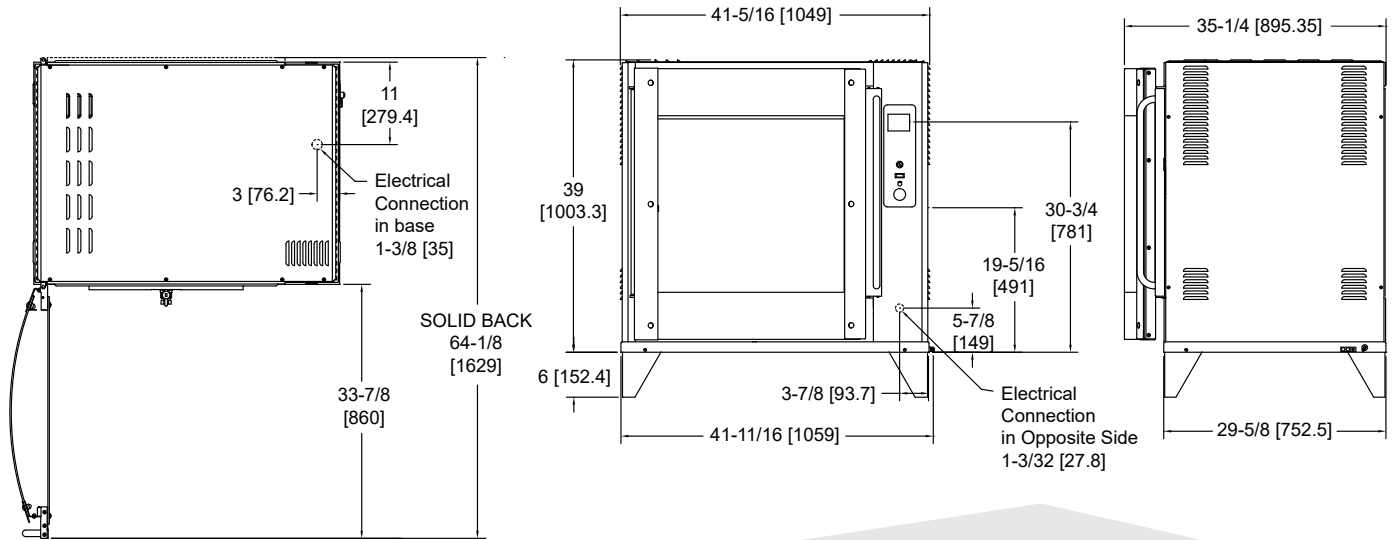
[www.bkideas.com](http://www.bkideas.com)

42 Allen Martin Drive, Essex Junction, VT 05452 • Phone: (802) 658-6600 • Fax: (802) 864-0183

BK1276 Rev A (1/21)

## EQUIPMENT DIMENSIONS

DIMENSIONS ARE IN INCHES [MM]



## MECHANICAL SPECIFICATIONS

Dimensions	Uncrated
Height	45" (1155.7 mm)
Width	41 5/16" (1049 mm)
Depth	35 1/4" (895.3 mm)
Floor space	10.6 sq ft (.98 sq m)
Weight	530 lb (240 kg)

## OPTIONS

- Pass-through
- Flat glass
- Drain on drip pan

## ELECTRICAL OPTIONS

Volts	Amps	Breaker	kW	Wires	Phase
208	29.7	40	10.6	4	3
220	26.4	35	9.9	4	3
240	28.7	40	11.8	4	3

### 230 Volts, 50 Hz 3 Ph+N+E

Volts	Current (A)	Power (W)
L1	15.7	3630
L2	15.3	3530
L3	16.2	3750



Intertek



Intertek



Visit [www.bkideas.com](http://www.bkideas.com) to view all accessories available with this model.