

Glastender®

A family company manufacturing in the USA

www.glastender.com



WHS-14-S



Intertek

4004503

Conforms to NSF/ANSI STD 2

WH-14-S Certified to CSA STD B45.4

To view cleaning and care instructions, please visit:
https://www.glastender.com/PDF/F-423-011_ss_clean_care.pdf

Project: _____	AIA# _____
Item #: _____ Qty: _____	SIS# _____
Model #: _____	

Wall-Mount Hand Sinks w/Integral Side Splashes

WH-S	WH-14-S, WHS-14-S
-------------	-------------------

Standard Features

- All stainless steel
- One-piece seamless top and backsplash featuring 1/4" radius corners
- Drawn sink bowl
- Heavy-duty, hot and cold water faucet
- Integral left and right side splashes, featuring radius work surface corners and a front lip
- Wall-mounting bracket

Configurable Options

- Foot-operated faucet; specify option FOF-D

Accessories

- 03000483 Lift-out perforated plastic wet waste strainer



*FOF-D
Foot-operated
faucet*

Specifications

- Drains**
- 1-1/2" I.P.S. threaded drain will fit Dearborn part #8033 slipnut and part #W-573P washer
- Faucet**
- Deck mount on 4" centers, accepts 3/8" sink leads, hot and cold water connections required
 - Optional foot-operated faucet: single hole, (2) 1/2" NPT female inlets and (1) 1/2" NPT female outlet
 - NSF/ANSI 61, 372 low lead compliant
- Sink Bowl Dimensions**
- 9-1/4" by 11-1/2" by 6" deep
- Materials**
- 20 gauge stainless steel parts include: all components unless otherwise noted
 - 18 gauge stainless steel parts include: wall-mounting bracket



Model WHS-14-S featuring integral side splashes, radius work surface corners for easy cleaning and a front lip to contain splashes



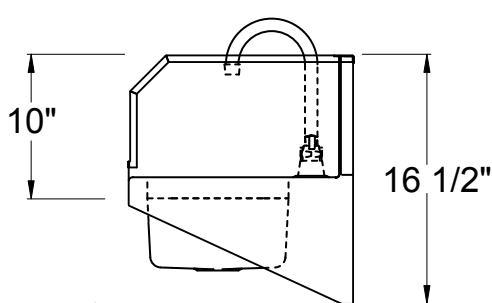
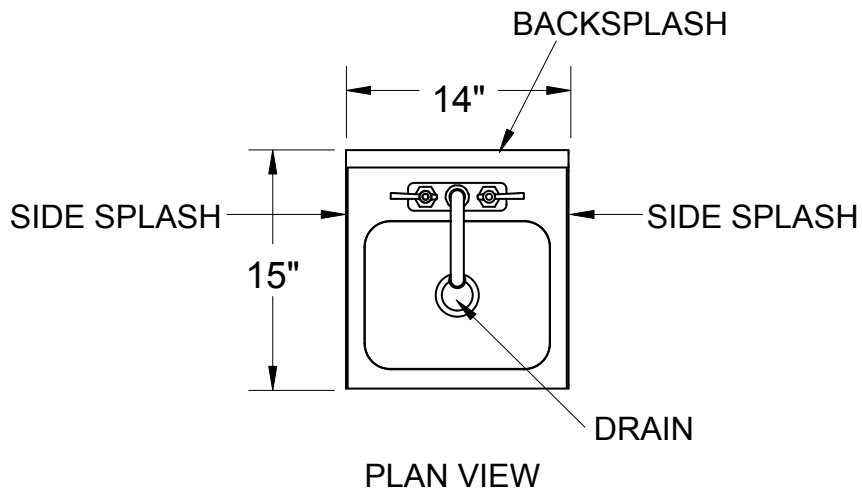
⚠ WARNING: The plastic wet waste strainer accessory can expose you to chemicals including Bisphenol A (BPA), which is known to the State of California to cause birth defects or other reproductive harm. For more information, go to www.P65Warnings.ca.gov. **Warning applies to State of California only.** Part #03000483

<p>Glastender, Inc. • 5400 N Michigan Rd • Saginaw, MI • 48604-9780 989.752.4275 • 800.748.0423 • Fax 989.752.4444 www.glastender.com</p>	<p>Approval/Notes:</p>
--	------------------------

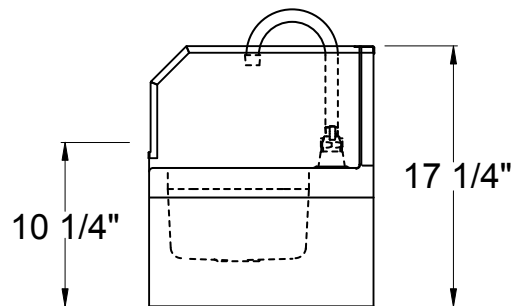
Specifications subject to change without notice. For current specifications please visit our website.

Wall-Mount Hand Sinks with Integral Side Splashes

Drawings

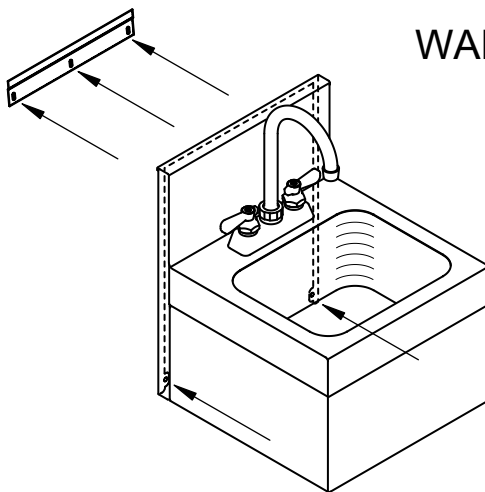


WH-14-S
SIDE VIEW



WHS-14-S
SIDE VIEW

WALL MOUNTING INSTRUCTIONS



1. Secure bracket to wall.
2. Hang sink on bracket.
3. Screw sink to wall through bracket on bottom back of sink.