



Floor Kettles model AHS

Description

Kettle shall be a Groen Model AHS (40 gallon) stainless steel, self-contained, steam jacketed kettle operating from gas heated steam source contained within the unit.

Construction

Kettle interior shall be of type 316 stainless steel, with solid one-piece construction. All exposed surfaces shall be stainless steel. All controls shall be contained within front control enclosure.

Kettle body is sheathed in stainless steel and insulated with fiber bat insulation. Unit provided with three adjustable legs for leveling. Faucet mounting bracket is standard.

Finish

Interior of kettle shall be polished to a 180 emery grit finish. Exterior shall be finished to a uniform #3 finish ensuring maximum ease in cleaning and maintaining appearance.

ASME Code, CSA (Formerly AGA) Design Certified, CRN Registered

Unit shall be ASME shop inspected, stamped and registered with the National Board for operation up to a maximum working pressure of 30 PSI. Unit shall be Design Certified by the Canadian Standard Association. Unit shall be registered in Canada with a CRN number.

Sanitation

Unit shall be designed and manufactured to meet NSF requirements and be NSF listed.

Drawoff Valve

Unit shall have a 2" sanitary tangent drawoff which is made of 316 stainless steel. Valve has durable insulated handle, Dupont Viton™ compression sealing disk and is easy to disassemble without tools. The drain outlet shall be equipped with a removable 1/4" perforated stainless steel strainer.

Cover

Cover shall be furnished with No. 51 counterbalanced actuator designed to maintain the cover in an open or closed position.

Controls

All controls shall be contained in a stainless steel enclosure. Controls include a regulating thermostat, pressure gauge, power-ON switch, power-ON indicator light, heat indicator light, low water indicator light, water sight gauge, pressure safety valve, pressure limit control, low water cut off, a gas regulator valve and electronic ignition module; with all operating controls front mounted.

Model AHS shown



Performance/Features

Unit shall be thermostatically controlled to automatically shut off when desired temperature is reached and turn on when product temperature drops below desired setting. Electronic ignition to standing pilot is standard on all models. Outer sheathing and fiber insulation retain heat and keep kettle exterior cool to the touch.

Self-Contained Steam Source

Kettle shall have a gas-heated, self-contained steam source to provide kettle temperatures of 150 to approximately 250°F. Unit shall be factory charged with water and rust inhibitor to ensure long life and minimum maintenance.

Installation

Specify natural or propane. Unit requires 1/2" NPT gas line connection and 115 volt electric supply to operate controls. No remote steam source required.

Options/Accessories

- Basket inserts (TRI-BC)
- Water fill faucets
- 1/8" perforated strainer
- 1/4" perforated strainer
- Solid disk strainer
- Kettle brush kit
- Contour measuring strip
- Gallon etch marks

Origin of Manufacture

Kettle shall be designed and manufactured in the United States.

**Stainless Steel
Steam Jacketed
Kettle**

**Low Height
Floor Mounted
Stationary
Self-Contained
Gas Heated
40-Gallon Capacity**

Short Form

Groen Model AHS (40 gallon), self contained Natural/Propane (specify) gas heated stainless steel steam jacketed kettle, complete with 2" sanitary tangent draw-off valve, and No. 51 spring assisted cover. Steam jacket is insulated and ASME code constructed for maximum working pressure of 30 PSI. Unit is thermostatically controlled, with electronic ignition as standard. CSA design certified and NSF listed. Requires 1/2" gas supply and 115 Volt electric service. Made in the USA.



Applications

Meat Dishes
Vegetables
Soups
Sauces
Pasta
Rice
Pie Fillings
Gravies
Poultry
Seafood

SCALE: 04=1
DO NOT SCALE DRAWING

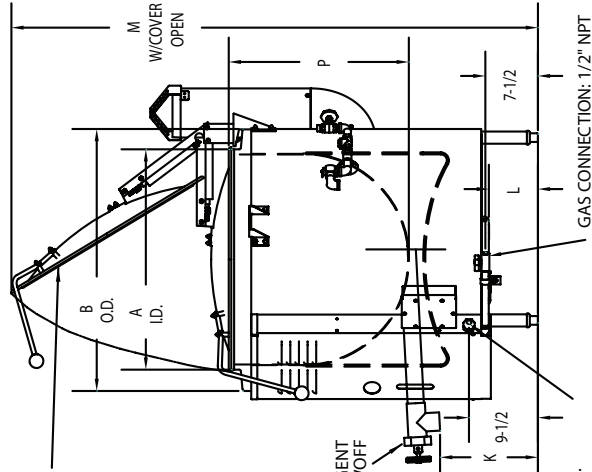
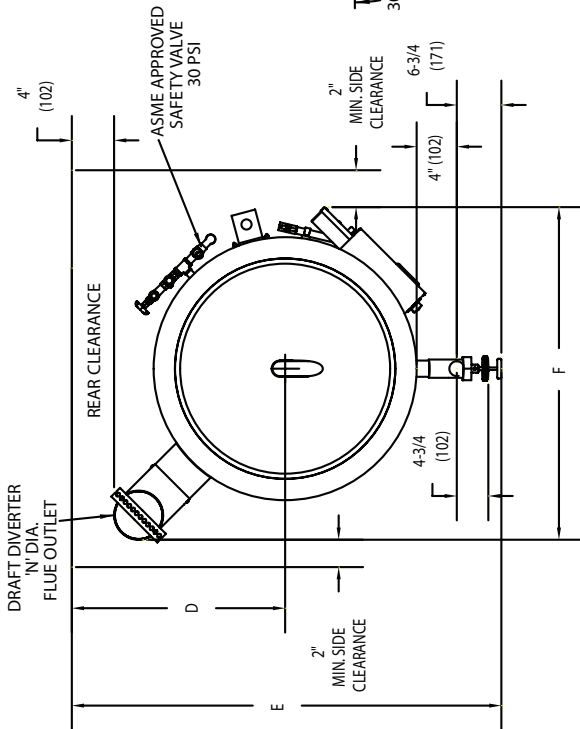
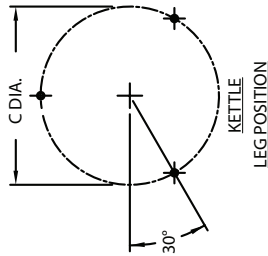
TABLE OF DIMENSIONS		
CAP.	40 GAL. 150 L.	
DIM.	INCH	MM
A	26	660
B	32 3/8	822
C	30 3/8	772
D	27 1/8	688
E	54 1/4	1327
F	43 1/4	1099
G	25	635
H	38	965
J	7	178
K	15	381
L	6	152
M	71 3/4	1822
N	6	152
P	21 3/8	543
R	21	533

INSTALLATION CLEARANCES		
MINIMUM DISTANCE FROM COMBUSTIBLE WALLS	RECOMMENDED DISTANCE	
LEFT SIDE	2"	2"
RIGHT SIDE	2"	8" FOR SERVICING
REAR	4"	4"

GAS OPERATING PRESSURE	NATURAL GAS	PROPANE GAS
RECOMMENDED	3.5" W.C.	10" W.C.
INCOMING	5" W.C. MIN.	12" W.C. MIN.
PRESSURE	14" W.C. MAX.	14" W.C. MAX.
FIRING RATE	115,000	115,000

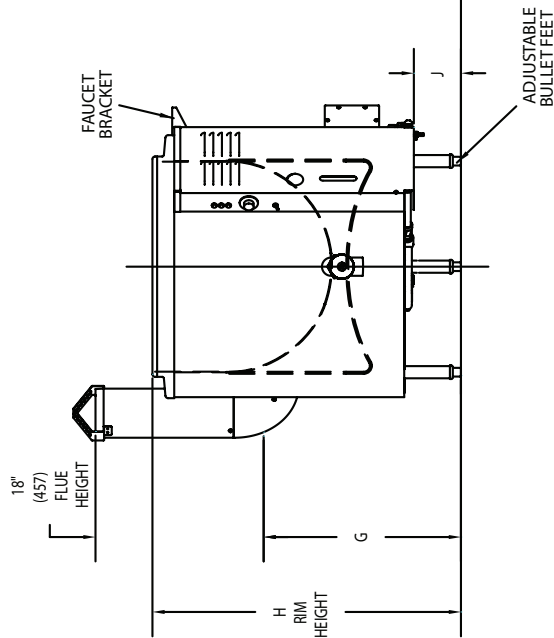
SERVICE CONNECTIONS AND NOTES:

- ELECTRICAL CONNECTION: 115V, 1 PH, 60 HZ, 2 AMPS
- GAS CONNECTION: 1/2" NPT.
- DIMENSIONS IN BRACKETS () ARE MM.



COVER OPEN
SEE NOTES 4 & 5
(NOT SHOWN IN
OTHER VIEWS)

TOP VIEW



RIGHT SIDE VIEW

FRONT VIEW

